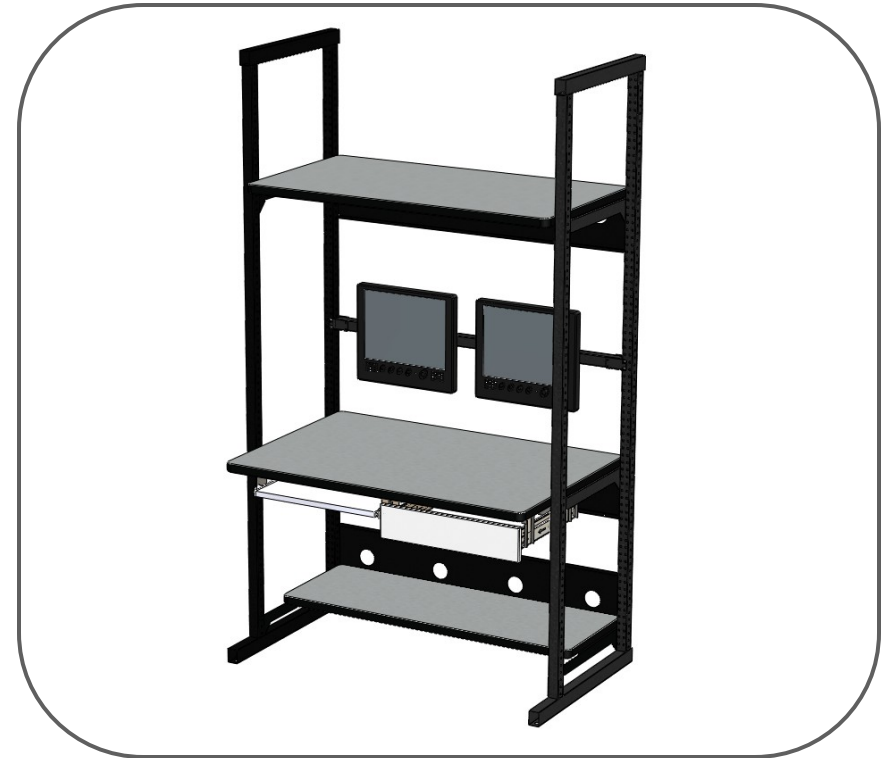


Instructions / Directions

Performance Plus Accessory Bar
7000-3-5XX-00 (XX = Length)



www.kendallhoward.com



For details about product warranty, please visit www.kendallhoward.com

DISCLAIMER: Kendall Howard LLC. endeavors to make this manual accurate and complete. However, Kendall Howard LLC makes no representations or warranties of any kind, expressed or implied, about whether the use of products contained herein would infringe any rights or the correctness, accuracy or reliability of the information contained herein or that said information covers all details, conditions or variations. The information herein does not provide for every possible contingency in connection with the installation or use of the product(s). The information contained in this document is subject to change without notice or obligation. Kendall Howard LLC assumes no responsibility for the accuracy, completeness or reliability of the information contained in this document. Any reliance placed on the information is therefore strictly at your own risk.

KENDALL HOWARD  TM
INNOVATORS IN PRODUCT DESIGN

Address: 10152 Liberty Lane
Chicago City, Minnesota, 55013
United States of America

Phone: 651-213-1333
Fax: 800-418-6897

Tools Needed:



Screw Driver



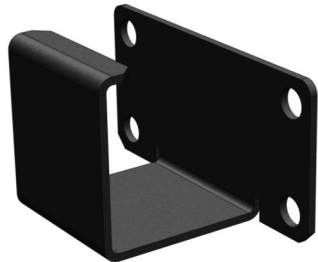
Wrench 7/16in

Included:

(1x) Accessory Bar



(2x) Mounting Brackets



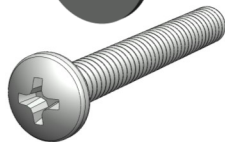
(4x) Nut 1/4 - 20



(4x) Flat Washer 1/4in

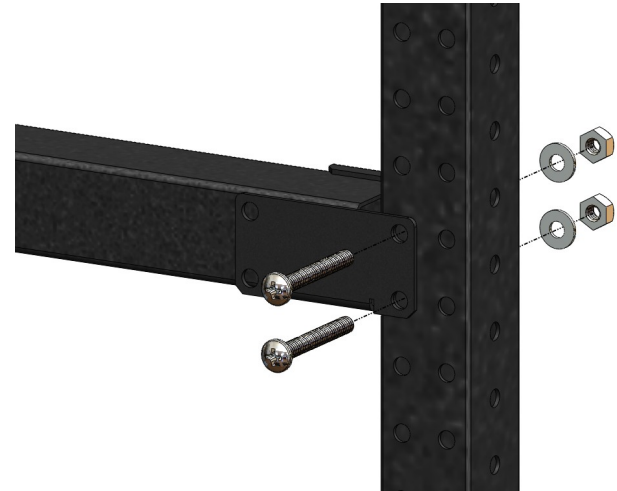


(4x) Bolt 1/4 - 20 x 2in



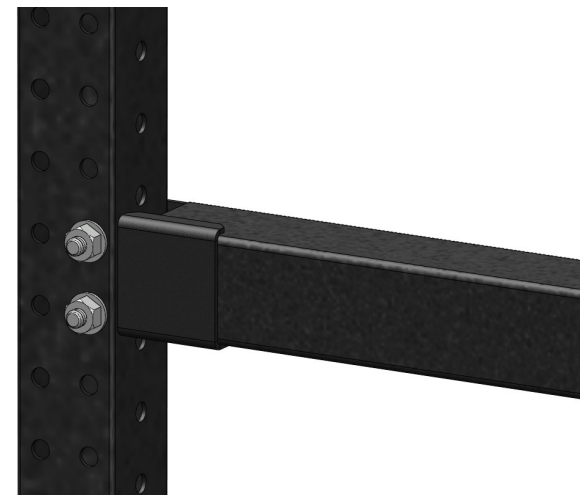
2

Assembly - Step 1:



Slide both Mounting Brackets on either end of Accessory Bar. Install Bolts through Mounting Bracket into desired position on upright. Install Flat Washers and Nuts from backside.

Assembly - Step 2:



Use Screw Driver and Wrench to secure hardware.

3