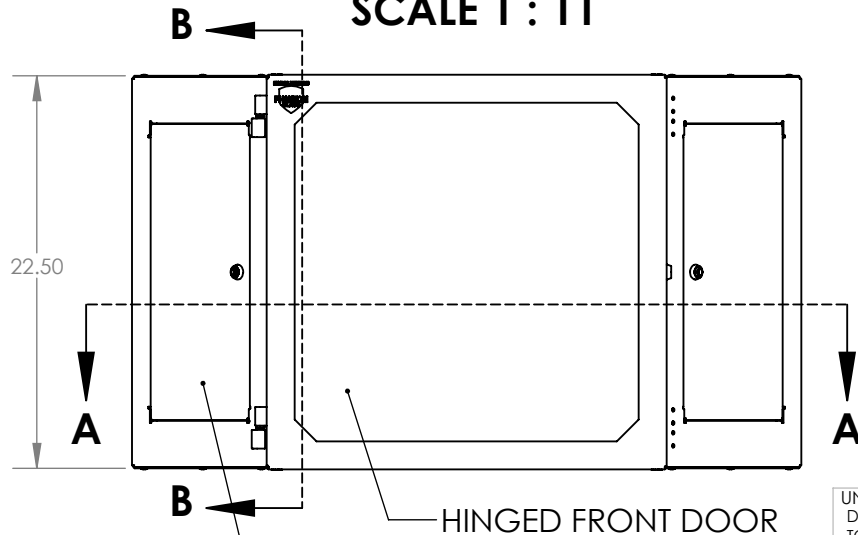


**SECTION A-A
SCALE 1 : 11**



2X HINGED
SIDE DOORS

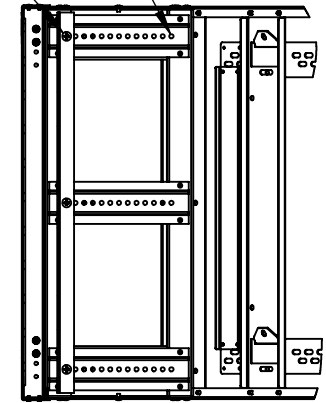
HINGED FRONT DOOR

17.50" MAXIMUM DIMENSIONABLE DEPTH
13.00" MINIMUM DIMENSIONAL DEPTH

VERTICAL RAIL LOCATION #10
VERTICAL RAIL LOCATION #1

CORNER RACK

COMPONENT USABLE AREA



**SECTION B-B
SCALE 1 : 11**

VERTICAL RAIL LOCATION	CLEARANCE TO DOOR	DEPTH OF COMPONENT
1	1.76"	17.50"
2	2.26"	17.00"
3	2.76"	16.50"
4	3.26"	16.00"
5	3.76"	15.50"
6	4.26"	15.00"
7	4.76"	14.50"
8	5.26"	14.00"
9	5.76"	13.50"
10	6.26"	13.00"

NOTE:

1. RAIL TO RAIL HOLE SPACING 18.312"
2. MAXIMUM COMPONENT WIDTH BETWEEN RAILS 17.81"
3. COLOR IS TEXTURED BLACK.

UNLESS OTHERWISE SPECIFIED:
DIMENSIONS ARE IN INCHES
TOLERANCES:
FRACTIONAL ± 1/8
ANGULAR: BEND ± 1 DEGREE
TWO PLACE DECIMAL ± .03
THREE PLACE DECIMAL ± .01
Surface Area

WEB PRINT

PROPRIETARY AND CONFIDENTIAL
THE INFORMATION CONTAINED IN THIS DRAWING IS THE SOLE PROPERTY OF KENDALL HOWARD. ANY REPRODUCTION IN PART OR AS A WHOLE WITHOUT THE WRITTEN PERMISSION OF KENDALL HOWARD IS STRICTLY PROHIBITED.

NEXT ASSY	USED ON	MATERIAL	FINISH
APPLICATION		DO NOT SCALE DRAWING	

	NAME	DATE
DRAWN		
CHECKED		
ENG APPR.		
MFG APPR.		
Q.A.		
COMMENTS:		

KENDALL HOWARD

TITLE:
WEB PRINT- CORNER WALL RACK- ADJUSTABLE RAILS

SIZE	DWG. NO.	REV
A	1915-3-700-12 WP	-

SCALE: 1:20 WEIGHT: SHEET 1 OF 1