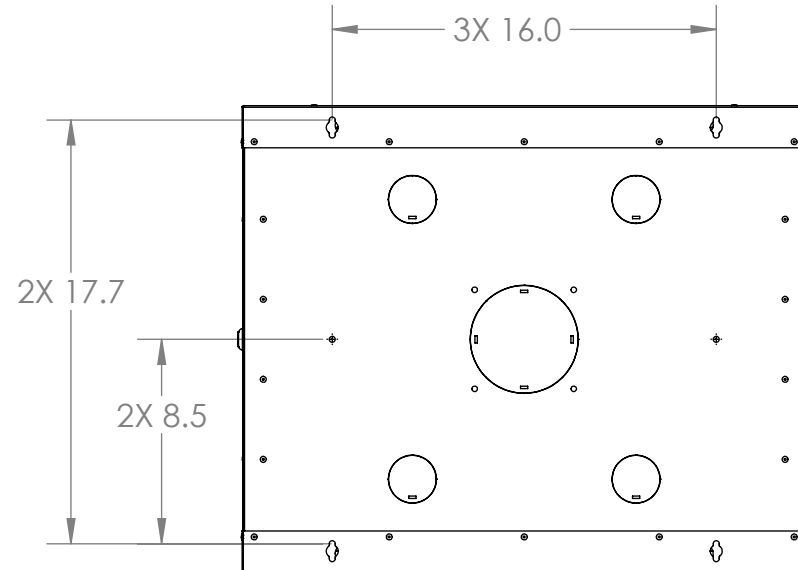
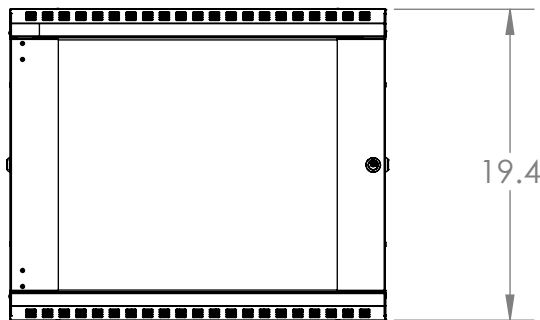
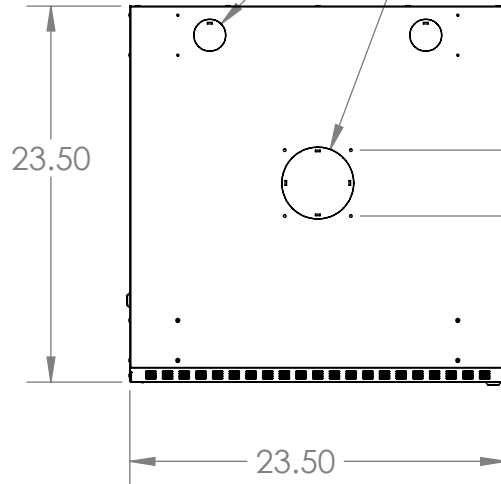
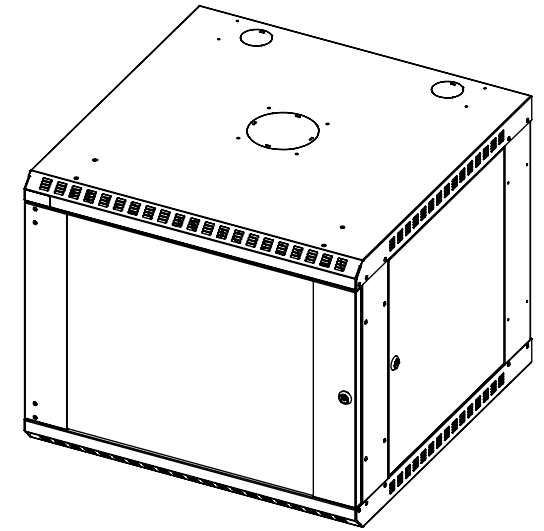


IDENTICAL TOP AND BOTTOM

8X ϕ 2.0 KNOCK OUTS

3X ϕ 4.5 KNOCK OUTS

3X \square 4.13 FAN HOLE PATTERN
TOP, BACK, AND BOTTOM



BACK
SCALE 1:8

KENDALL HOWARD  TM
INNOVATORS IN PRODUCT DESIGN

PROPRIETARY AND CONFIDENTIAL

THE INFORMATION CONTAINED IN THIS DRAWING IS THE SOLE PROPERTY OF KENDALL HOWARD LLC. ANY REPRODUCTION IN PART OR AS A WHOLE WITHOUT THE WRITTEN PERMISSION OF KENDALL HOWARD LLC IS STRICTLY PROHIBITED. THE PRODUCTS SHOWN AND DESCRIBED IN THIS DRAWING ARE THE INTELLECTUAL PROPERTY OF KENDALL HOWARD LLC. THEY MAY BE PROTECTED BY TRADE SECRETS, PATENTS, TRADEMARKS, COPYRIGHT LAWS, OR A COMBINATION OF SOME OR ALL OF THESE LAWS. COPYRIGHT 2010 KENDALL HOWARD LLC.

	NAME	DATE
DRAWN	JDG	8/31/2012
CHECKED	JDG	8/31/2012
ENG APPR.	BS	4/2/2012
MFG APPR.		

TITLE: Linier 9U Fixed Wall Cabinet, Glass Door

SIZE	DWG. NO.	REV
A	3140-3-001-09	-

UNLESS OTHERWISE SPECIFIED:
DIMENSIONS ARE IN INCHES
DO NOT SCALE DRAWING

SCALE: 1:12 SHEET 1 OF 1