



No.:

Date: 17-DEC-2012

Customer :

TECHNICAL PROPOSAL

Three-phase induction motor - Squirrel cage rotor

Product line : W22 NEMA Premium - Ball Bearings

Catalog Number : 00518ET3E184T-W22

List Price : \$772

Notes:

Performed by:

Checked:



No.:

Date: 17-DEC-2012

DATA SHEET

Three-phase induction motor - Squirrel cage rotor

Customer :
Product line : W22 NEMA Premium - Ball Bearings

Frame : 184T
Output : 5 HP
Frequency : 60 Hz
Poles : 4
Full load speed : 1755
Slip : 2.50 %
Voltage : 208-230/460 V
Rated current : 14.3-12.9/6.45 A
Locked rotor current : 96.8/48.4 A
Locked rotor current (I_L/I_n) : 7.5
No-load current : 6.40/3.20 A
Full load torque : 14.8 lb.ft
Locked rotor torque : 230 %
Breakdown torque : 320 %
Design : B
Insulation class : F
Temperature rise : 80 K
Locked rotor time : 15 s (hot)
Service factor : 1.25
Duty cycle : S1
Ambient temperature : -20°C - +40°C
Altitude : 1000
Degree of Protection : IP55
Approximate weight : 95 lb
Moment of inertia : 0.40033 sq.ft.lb
Noise level : 56 dB(A)

| | D.E. | N.D.E. | Load | Power factor | Efficiency (%) |
|---------------------|---------|---------|------|--------------|----------------|
| Bearings | 6207 ZZ | 6206 ZZ | 100% | 0.80 | 89.5 |
| Regreasing interval | --- | --- | 75% | 0.74 | 89.5 |
| Grease amount | --- | --- | 50% | 0.62 | 88.5 |

Notes:

Performed by

Checked

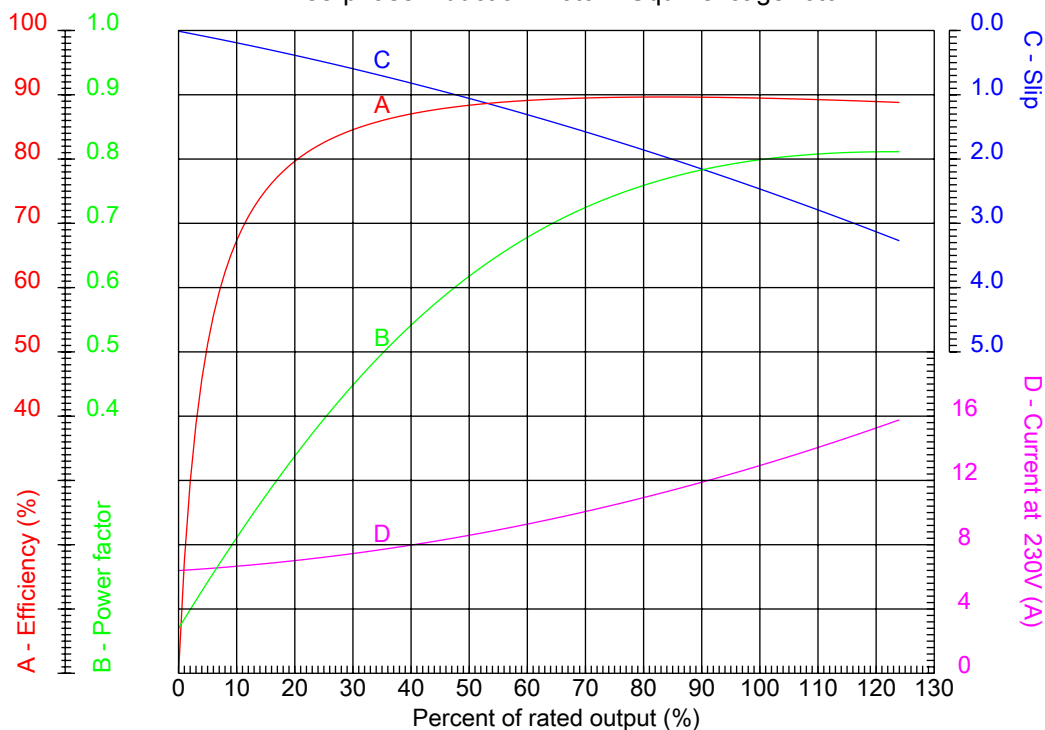


No.:

Date: 17-DEC-2012

PERFORMANCE CURVES RELATED TO RATED OUTPUT

Three-phase induction motor - Squirrel cage rotor



Customer :
Product line : W22 NEMA Premium - Ball Bearings

| | | | |
|------------------|--------------------|--|---------|
| Frame | : 184T | Locked rotor current (I _l /I _n) | : 7.5 |
| Output | : 5 HP | Duty cycle | : S1 |
| Frequency | : 60 Hz | Service factor | : 1.25 |
| Full load speed | : 1755 | Design | : B |
| Voltage | : 208-230/460 V | Locked rotor torque | : 230 % |
| Rated current | : 14.3-12.9/6.45 A | Breakdown torque | : 320 % |
| Insulation class | : F | | |

Notes:

Performed by

Checked

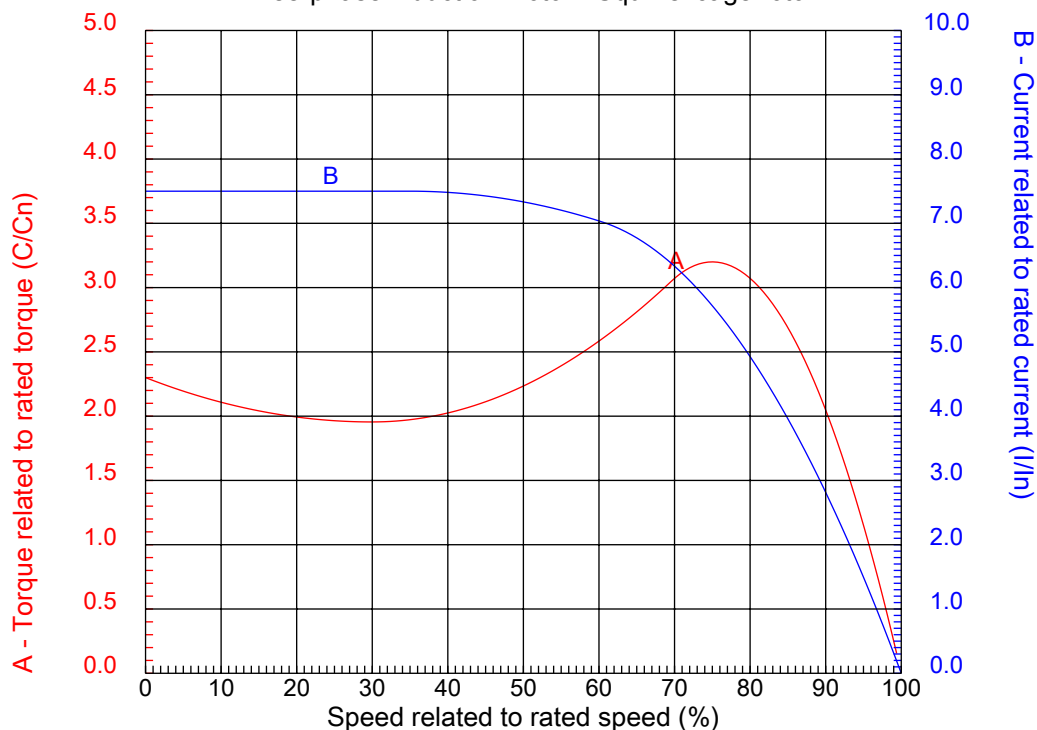


No.:

Date: 17-DEC-2012

CHARACTERISTIC CURVES RELATED TO SPEED

Three-phase induction motor - Squirrel cage rotor



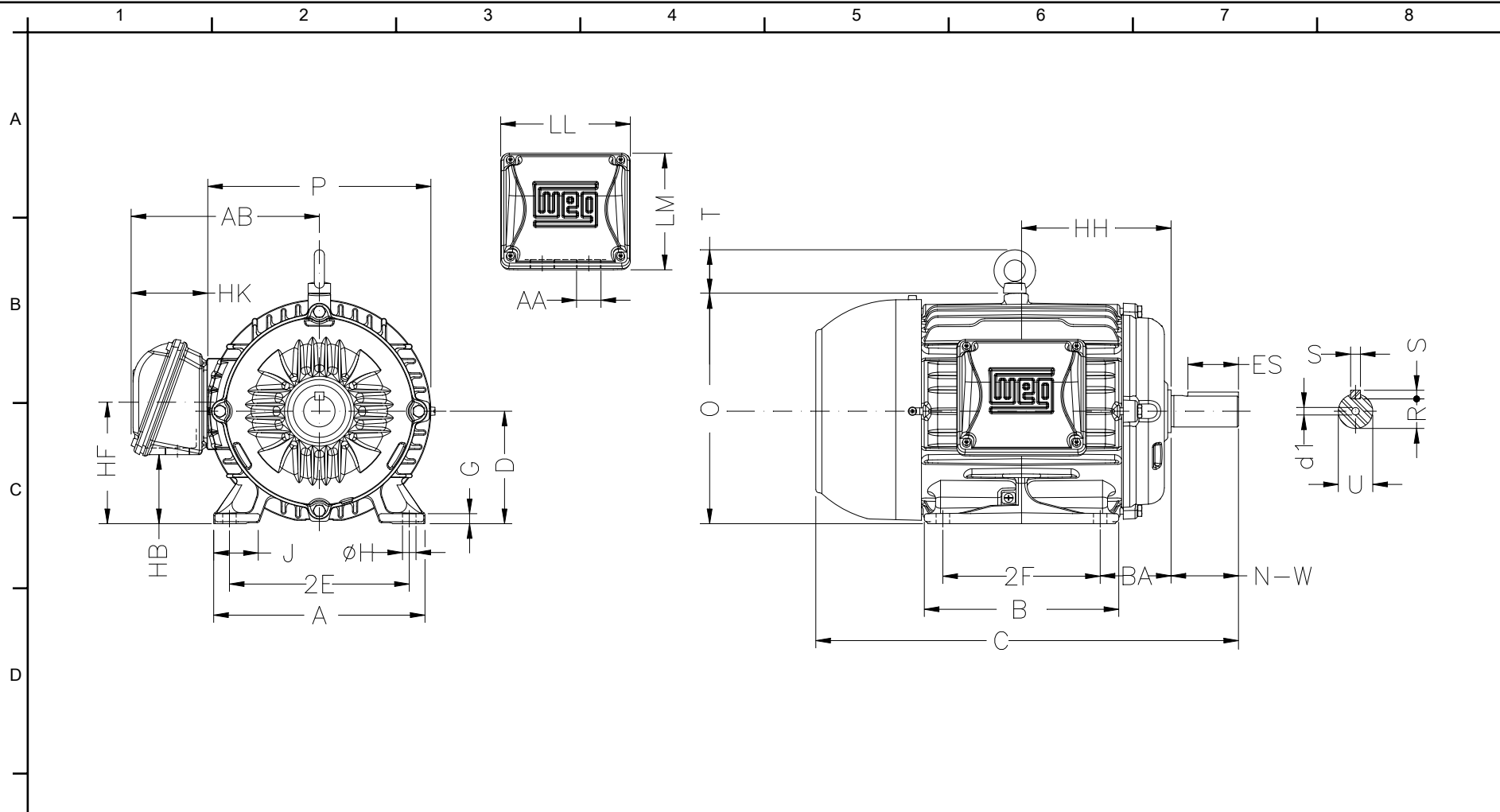
Customer :
Product line : W22 NEMA Premium - Ball Bearings

| | | | |
|------------------|--------------------|--|---------|
| Frame | : 184T | Locked rotor current (I _l /I _n) | : 7.5 |
| Output | : 5 HP | Duty cycle | : S1 |
| Frequency | : 60 Hz | Service factor | : 1.25 |
| Full load speed | : 1755 | Design | : B |
| Voltage | : 208-230/460 V | Locked rotor torque | : 230 % |
| Rated current | : 14.3-12.9/6.45 A | Breakdown torque | : 320 % |
| Insulation class | : F | | |


Notes:

Performed by

Checked



| | | | | | |
|---|--------|--------|--------|--------|--------|
| E | 2E | J | A | P | AB |
| | 7.500 | 1.594 | 8.661 | 8.740 | 7.559 |
| F | 2F | B | BA | FBA | U |
| | 5.500 | 6.969 | 2.750 | 5.057 | 1.125 |
| F | N-W | ES | S | R | depth |
| | 2.750 | 1.969 | 0.250 | 0.984 | 0.250 |
| F | D | G | HB | O | T |
| | 4.500 | 0.394 | 2.236 | 9.343 | 1.772 |
| F | HF | HH | HK | H | C |
| | 4.500 | 5.500 | 3.110 | 0.406 | 15.860 |
| F | FC | LL | LM | AA | d1 |
| | 18.307 | 5.512 | 5.236 | NPT 1" | A 4 |
| F | d2 | Flange | AJ | AK | BD |
| | A 4 | FD-254 | 10.000 | 9.000 | 11.00 |
| F | BF | BB | | | |
| | 0.562 | 0.203 | | | |

| | | |
|--|-------------|---|
| Notes: | | |
| Performed by: | | |
| Checked: | | |
| Customer: | | |
| W22 NEMA Premium - Ball Bearings | | |
| Three-phase induction motor Frame 184T - IP55 | 17-DEC-2012 |  |