



No.:

Date: 17-DEC-2012

Customer :

TECHNICAL PROPOSAL

Three-phase induction motor - Squirrel cage rotor

Product line : W22 NEMA Premium - Ball Bearings

Catalog Number : 01012ET3E256T-W22

List Price : \$2,396

Notes:

Performed by:

Checked:



No.:

Date: 17-DEC-2012

## DATA SHEET

### Three-phase induction motor - Squirrel cage rotor

Customer :  
Product line : W22 NEMA Premium - Ball Bearings

Frame : 256T  
Output : 10 HP  
Frequency : 60 Hz  
Poles : 6  
Full load speed : 1175  
Slip : 2.08 %  
Voltage : 208-230/460 V  
Rated current : 28.5-25.8/12.9 A  
Locked rotor current : 168/83.9 A  
Locked rotor current (I<sub>L</sub>/I<sub>n</sub>) : 6.5  
No-load current : 12.0/6.00 A  
Full load torque : 44.1 lb.ft  
Locked rotor torque : 230 %  
Breakdown torque : 280 %  
Design : B  
Insulation class : F  
Temperature rise : 80 K  
Locked rotor time : 26 s (hot)  
Service factor : 1.25  
Duty cycle : S1  
Ambient temperature : -20°C - +40°C  
Altitude : 1000  
Degree of Protection : IP55  
Approximate weight : 289 lb  
Moment of inertia : 4.4311 sq.ft.lb  
Noise level : 59 dB(A)

	D.E.	N.D.E.	Load	Power factor	Efficiency (%)
Bearings	6309 C3	6209 C3	100%	0.80	91.0
Regreasing interval	20000 h	20000 h	75%	0.74	91.0
Grease amount	13 g	9 g	50%	0.63	90.2

Notes:

Performed by

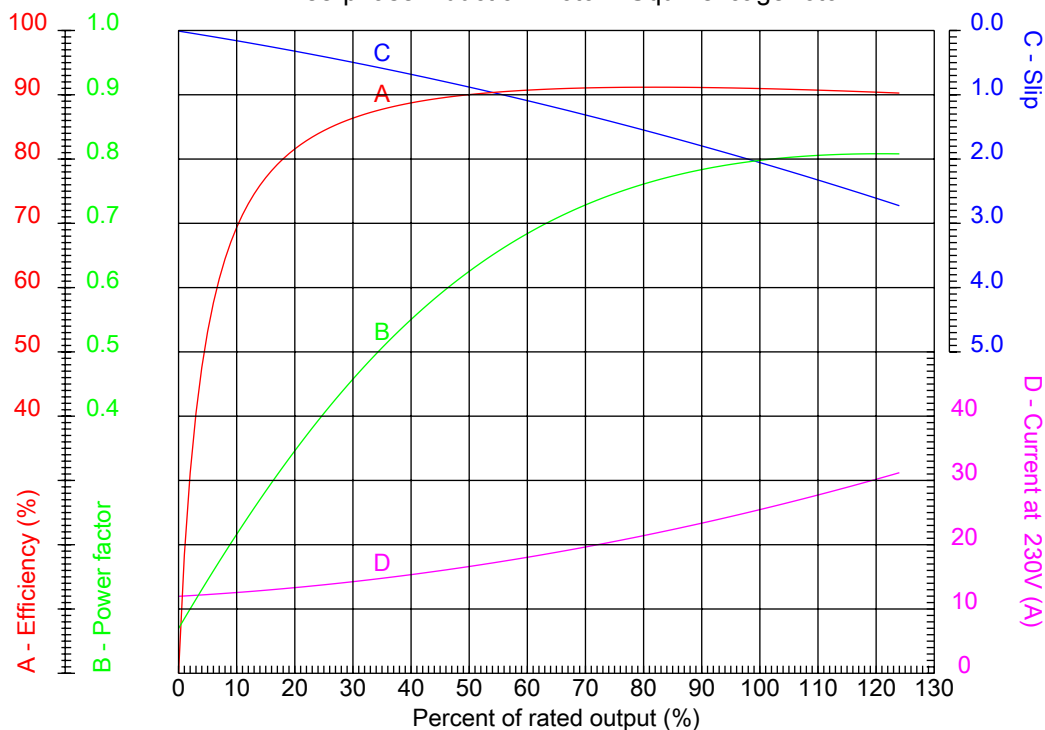
Checked



No.:

Date: 17-DEC-2012

### PERFORMANCE CURVES RELATED TO RATED OUTPUT Three-phase induction motor - Squirrel cage rotor



Customer :  
Product line : W22 NEMA Premium - Ball Bearings

Frame	: 256T	Locked rotor current (I <sub>l</sub> /I <sub>n</sub> )	: 6.5
Output	: 10 HP	Duty cycle	: S1
Frequency	: 60 Hz	Service factor	: 1.25
Full load speed	: 1175	Design	: B
Voltage	: 208-230/460 V	Locked rotor torque	: 230 %
Rated current	: 28.5-25.8/12.9 A	Breakdown torque	: 280 %
Insulation class	: F		

Notes:

Performed by

Checked

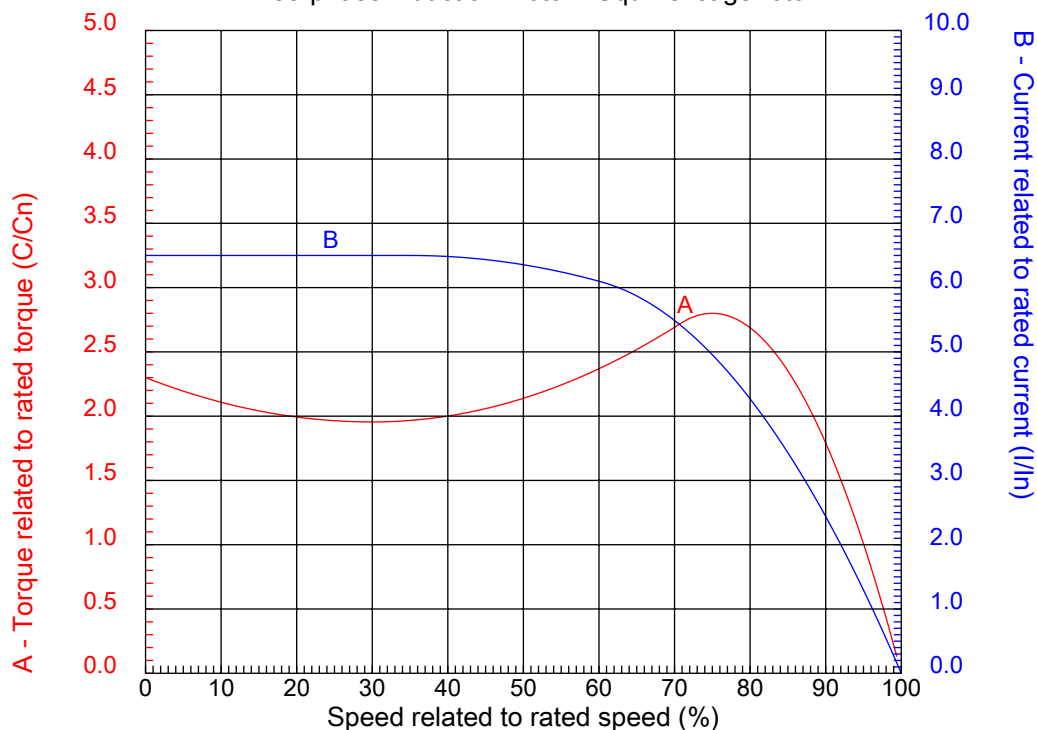


No.:

Date: 17-DEC-2012

### CHARACTERISTIC CURVES RELATED TO SPEED

Three-phase induction motor - Squirrel cage rotor



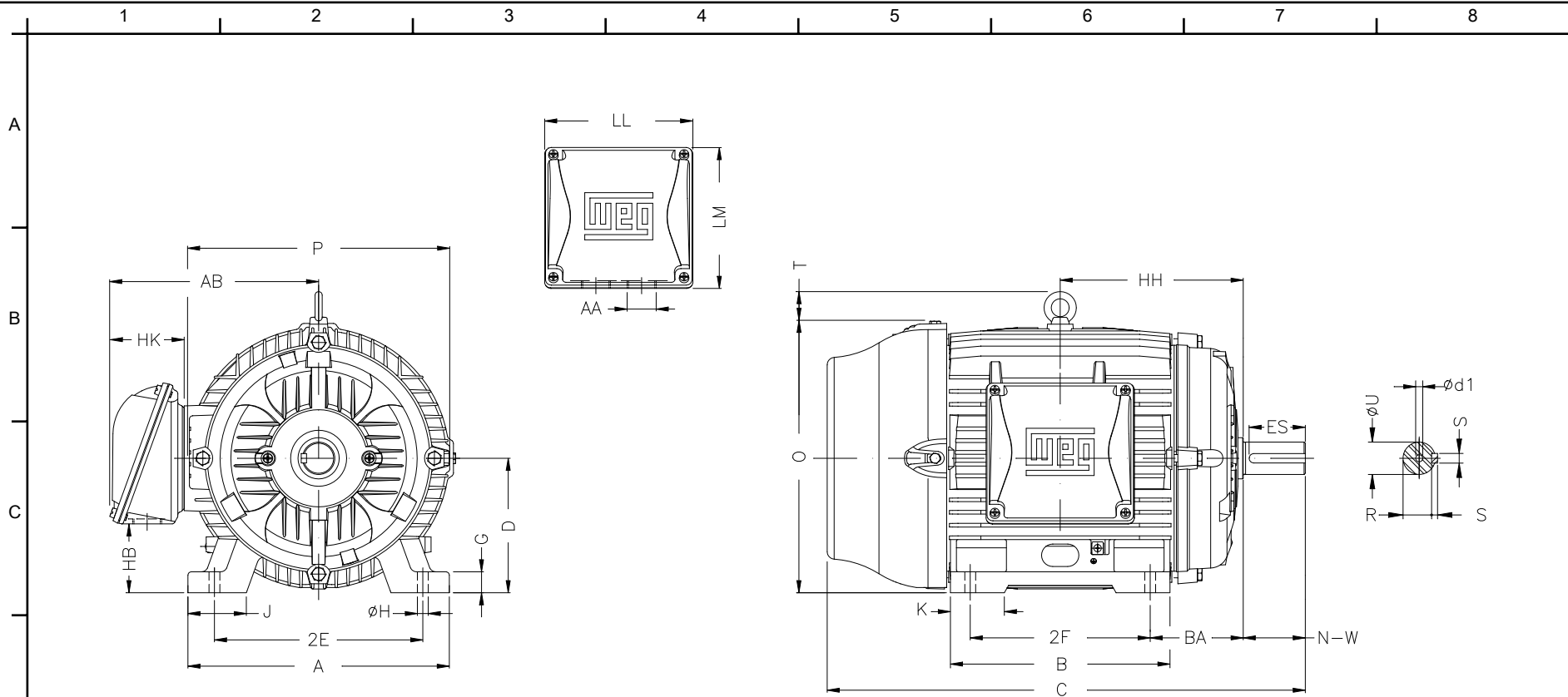
Customer :  
Product line : W22 NEMA Premium - Ball Bearings

Frame	: 256T	Locked rotor current (I <sub>l</sub> /I <sub>n</sub> )	: 6.5
Output	: 10 HP	Duty cycle	: S1
Frequency	: 60 Hz	Service factor	: 1.25
Full load speed	: 1175	Design	: B
Voltage	: 208-230/460 V	Locked rotor torque	: 230 %
Rated current	: 28.5-25.8/12.9 A	Breakdown torque	: 280 %
Insulation class	: F		

Notes:

Performed by

Checked



E	2E 10.000	J 2.539	A 12.126	P 12.953	AB 10.394
	2F 10.000	K 2.559	B 11.732	BA 4.250	U 1.625
	N-W 4.000	ES 2.756	S 0.375	R 1.406	depth 0.375
	D 6.250	G 0.827	HB 3.061	O 12.598	T 2.087
	HF 6.565	HH 9.250	HK 3.937	H 0.531	C 24.945
F	LL 7.795	LM 7.402	AA NPT 1 1/2"	d1 A 4	d2 A 4
	Flange FD-317	AJ 12.500	AK 11.000	BD 14.00	BF 0.828
	BB 0.203				

Notes:

Performed by:

Checked:

Customer:

W22 NEMA Premium - Ball Bearings

Three-phase induction motor Frame 256T - IP55	17-DEC-2012	
--	-------------	--