



No.:

Date: 17-DEC-2012

Customer :

TECHNICAL PROPOSAL

Three-phase induction motor - Squirrel cage rotor

Product line : W22 NEMA Premium - Ball Bearings

Catalog Number : 01036ET3H215T-W22

List Price : \$1,332

Notes:

Performed by:

Checked:



No.:

Date: 17-DEC-2012

DATA SHEET

Three-phase induction motor - Squirrel cage rotor

Customer :
Product line : W22 NEMA Premium - Ball Bearings

Frame : 215T
Output : 10 HP
Frequency : 60 Hz
Poles : 2
Full load speed : 3515
Slip : 2.36 %
Voltage : 575 V
Rated current : 9.28 A
Locked rotor current : 66.8 A
Locked rotor current (I_L/I_n) : 7.2
No-load current : 2.96 A
Full load torque : 14.7 lb.ft
Locked rotor torque : 210 %
Breakdown torque : 290 %
Design : B
Insulation class : F
Temperature rise : 80 K
Locked rotor time : 24 s (hot)
Service factor : 1.25
Duty cycle : S1
Ambient temperature : -20°C - +40°C
Altitude : 1000
Degree of Protection : IP55
Approximate weight : 163 lb
Moment of inertia : 0.63620 sq.ft.lb
Noise level : 72 dB(A)

	D.E.	N.D.E.	Load	Power factor	Efficiency (%)
Bearings	6308 ZZ	6207 ZZ	100%	0.90	90.2
Regreasing interval	---	---	75%	0.87	90.2
Grease amount	---	---	50%	0.79	89.5

Notes:

Performed by

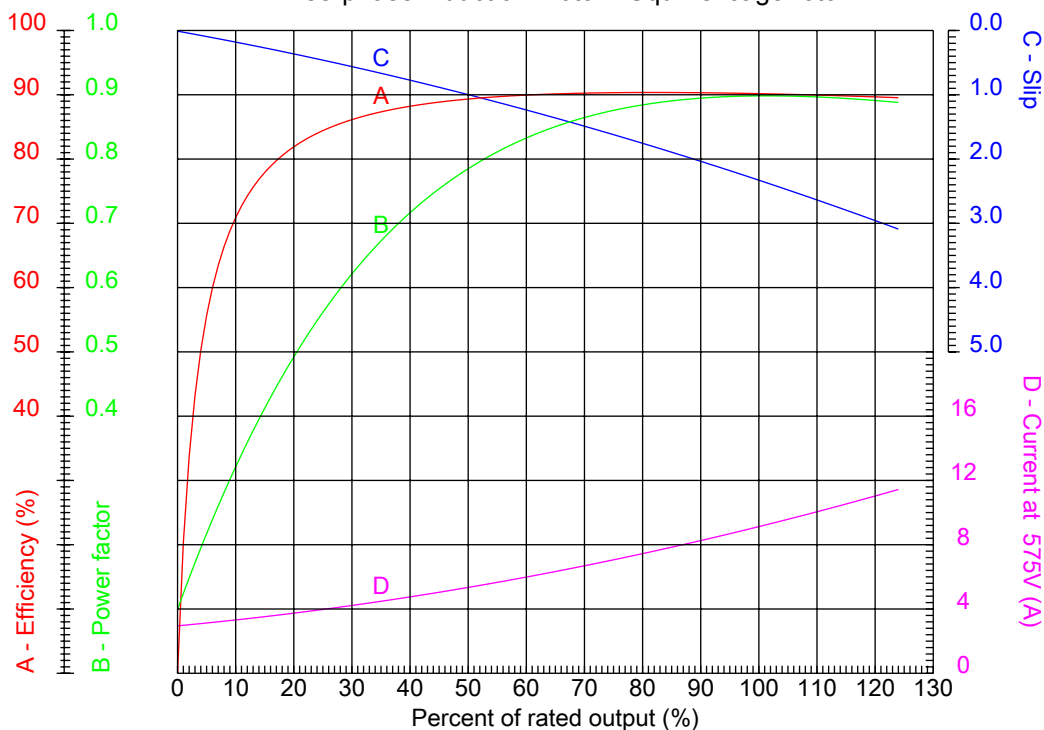
Checked



No.:

Date: 17-DEC-2012

PERFORMANCE CURVES RELATED TO RATED OUTPUT Three-phase induction motor - Squirrel cage rotor



Customer :
Product line : W22 NEMA Premium - Ball Bearings

Frame : 215T	Locked rotor current (I _l /I _n) : 7.2
Output : 10 HP	Duty cycle : S1
Frequency : 60 Hz	Service factor : 1.25
Full load speed : 3515	Design : B
Voltage : 575 V	Locked rotor torque : 210 %
Rated current : 9.28 A	Breakdown torque : 290 %
Insulation class : F	

Notes:

Performed by

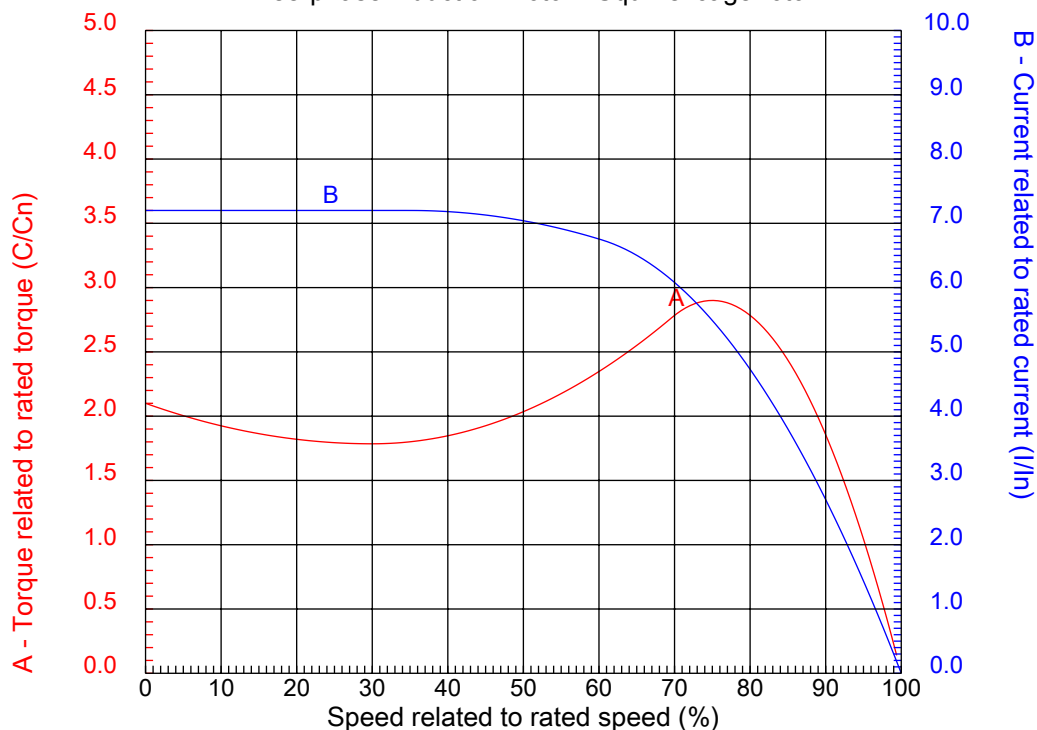
Checked



No.:

Date: 17-DEC-2012

CHARACTERISTIC CURVES RELATED TO SPEED Three-phase induction motor - Squirrel cage rotor



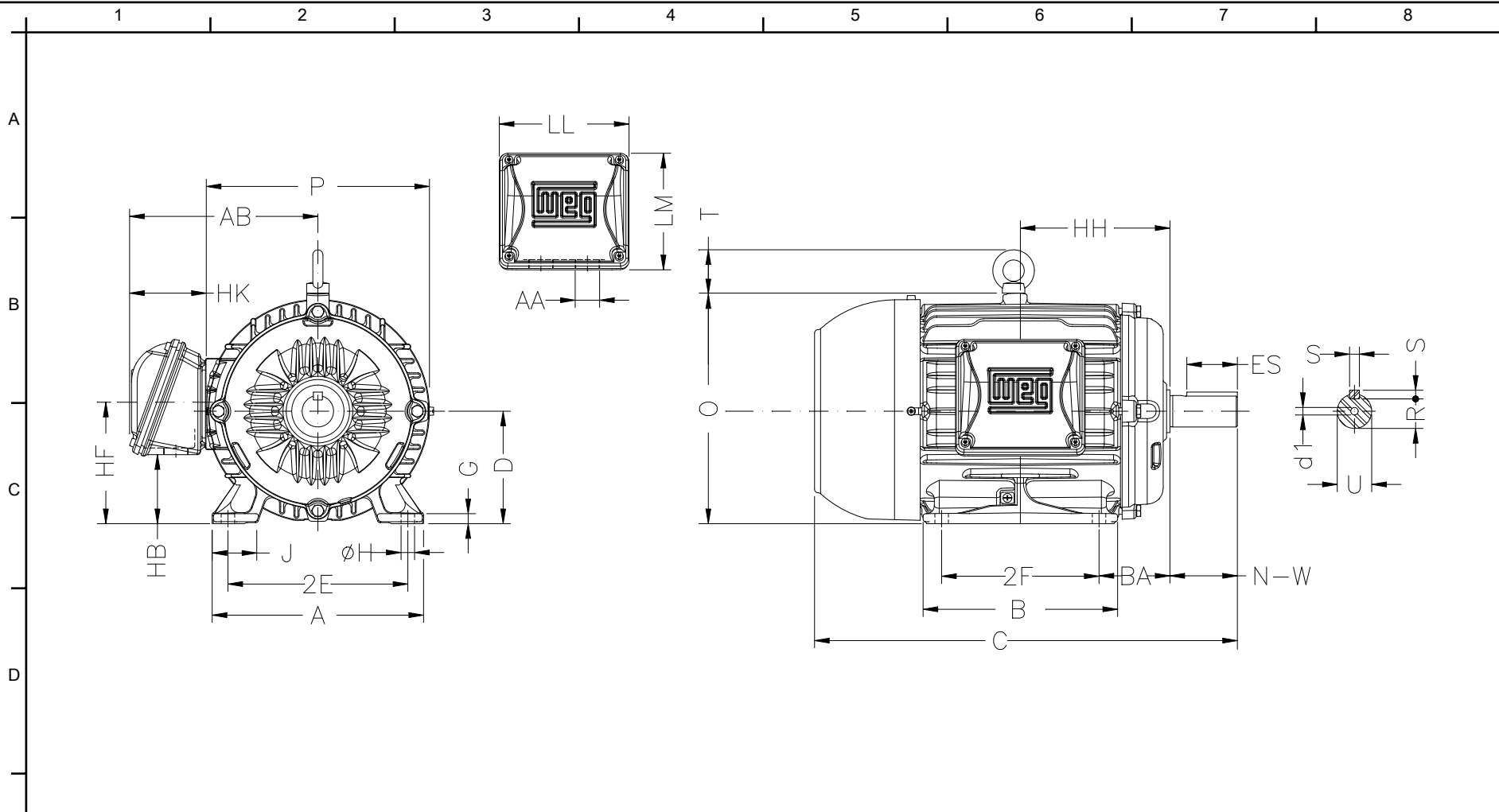
Customer :
Product line : W22 NEMA Premium - Ball Bearings

Frame	: 215T	Locked rotor current (I _l /I _n)	: 7.2
Output	: 10 HP	Duty cycle	: S1
Frequency	: 60 Hz	Service factor	: 1.25
Full load speed	: 3515	Design	: B
Voltage	: 575 V	Locked rotor torque	: 210 %
Rated current	: 9.28 A	Breakdown torque	: 290 %
Insulation class	: F		

Notes:

Performed by

Checked



E	2E 8.500	J 1.988	A 9.764	P 10.669	AB 8.583
	2F 7.000	K 2.165	B 8.858	BA 3.500	FBA 5.921
	U 1.375	N-W 3.375	ES 2.480	S 0.313	R 1.203
	depth 0.313	D 5.250	G 0.827	HB 3.006	O 10.841
	T 1.772	HF 5.250	HH 7.000	HK 3.110	H 0.406
F	C 19.517	FC 22.546	LL 5.512	LM 5.236	AA NPT 1"
	d1 A 4	d2 A 4	Flange FD-254	AJ 10.000	AK 9.000
	BD 11.00	BF 0.562	BB 0.203		

Notes:		
Performed by:		
Checked:		
Customer:		
W22 NEMA Premium - Ball Bearings		
Three-phase induction motor Frame 215T - IP55	17-DEC-2012	