



No.:

Date: 17-DEC-2012

Customer :

TECHNICAL PROPOSAL

Three-phase induction motor - Squirrel cage rotor

Product line : W22 NEMA Premium - Ball Bearings

Catalog Number : 03018ET3H286T-W22

List Price : \$3,223

Notes:

Performed by:

Checked:



No.:

Date: 17-DEC-2012

DATA SHEET

Three-phase induction motor - Squirrel cage rotor

Customer :
Product line : W22 NEMA Premium - Ball Bearings

Frame : 286T
Output : 30 HP
Frequency : 60 Hz
Poles : 4
Full load speed : 1765
Slip : 1.94 %
Voltage : 575 V
Rated current : 28.1 A
Locked rotor current : 171 A
Locked rotor current (I_L/I_n) : 6.1
No-load current : 8.80 A
Full load torque : 88.1 lb.ft
Locked rotor torque : 240 %
Breakdown torque : 240 %
Design : B
Insulation class : F
Temperature rise : 80 K
Locked rotor time : 20 s (hot)
Service factor : 1.25
Duty cycle : S1
Ambient temperature : -20°C - +40°C
Altitude : 1000
Degree of Protection : IP55
Approximate weight : 437 lb
Moment of inertia : 5.8532 sq.ft.lb
Noise level : 64 dB(A)

	D.E.	N.D.E.	Load	Power factor	Efficiency (%)
Bearings	6311 C3	6211 C3	100%	0.84	93.6
Regreasing interval	20000 h	20000 h	75%	0.80	93.0
Grease amount	18 g	11 g	50%	0.70	93.0

Notes:

Performed by

Checked

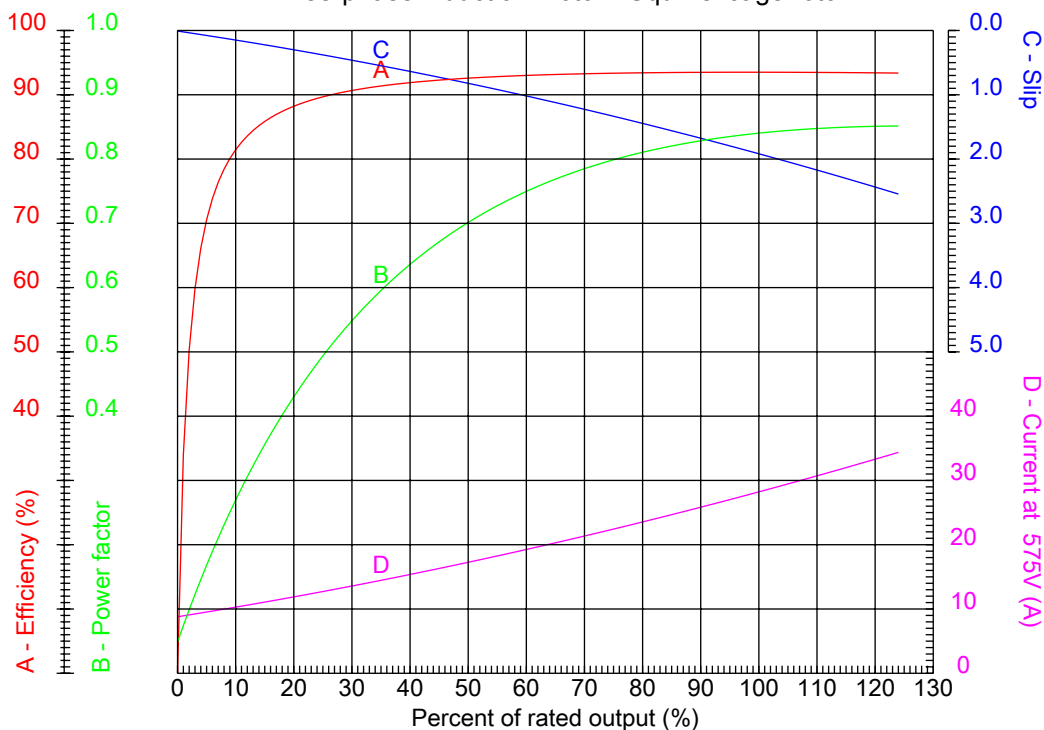


No.:

Date: 17-DEC-2012

PERFORMANCE CURVES RELATED TO RATED OUTPUT

Three-phase induction motor - Squirrel cage rotor



Customer :
Product line : W22 NEMA Premium - Ball Bearings

Frame : 286T	Locked rotor current (I _l /I _n) : 6.1
Output : 30 HP	Duty cycle : S1
Frequency : 60 Hz	Service factor : 1.25
Full load speed : 1765	Design : B
Voltage : 575 V	Locked rotor torque : 240 %
Rated current : 28.1 A	Breakdown torque : 240 %
Insulation class : F	

Notes:

Performed by

Checked

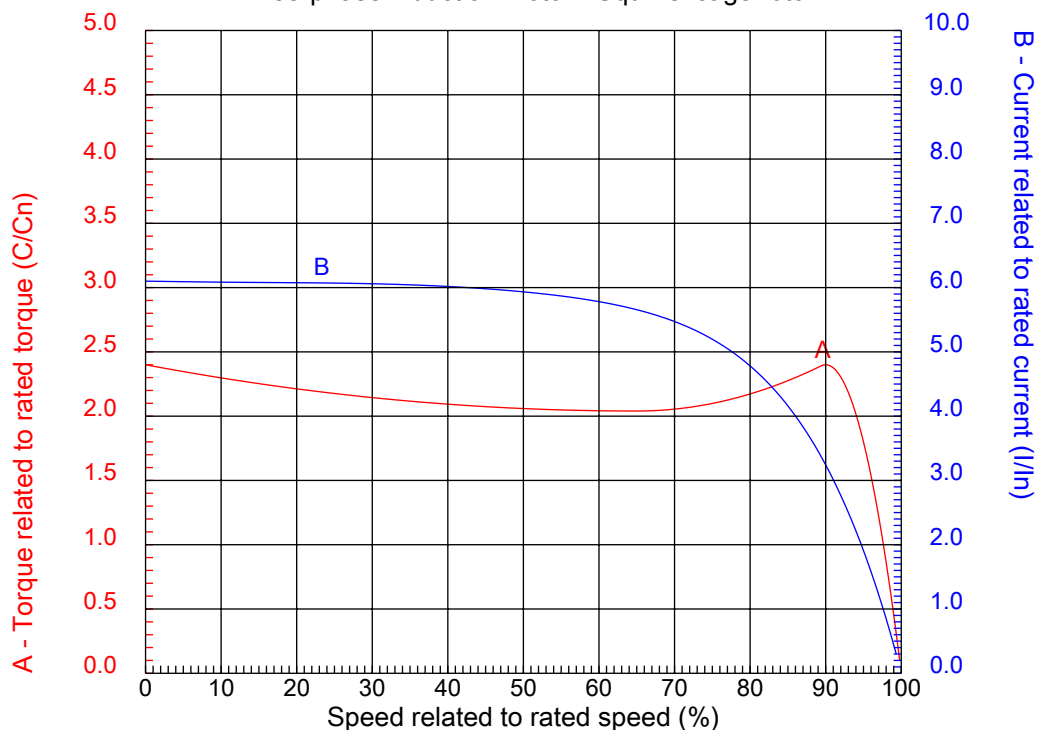


No.:

Date: 17-DEC-2012

CHARACTERISTIC CURVES RELATED TO SPEED

Three-phase induction motor - Squirrel cage rotor



Customer :
Product line : W22 NEMA Premium - Ball Bearings

Frame	: 286T	Locked rotor current (I _l /I _n)	: 6.1
Output	: 30 HP	Duty cycle	: S1
Frequency	: 60 Hz	Service factor	: 1.25
Full load speed	: 1765	Design	: B
Voltage	: 575 V	Locked rotor torque	: 240 %
Rated current	: 28.1 A	Breakdown torque	: 240 %
Insulation class	: F		

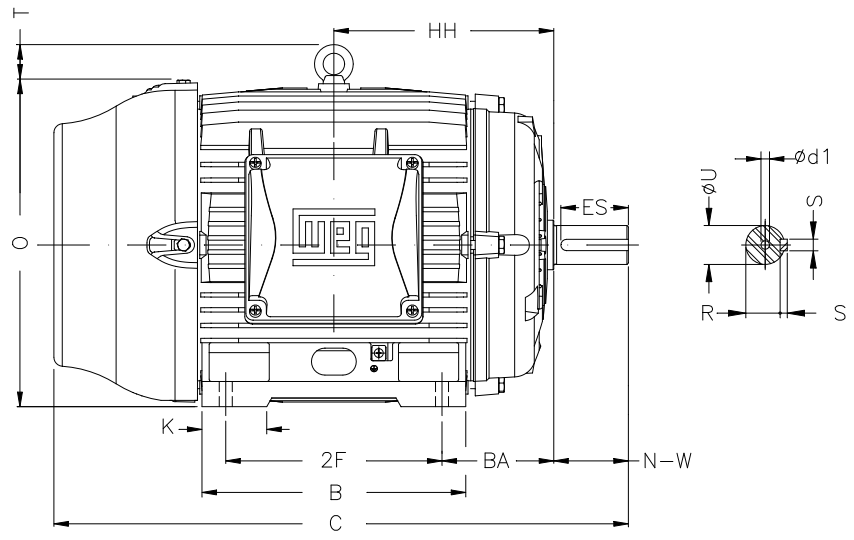
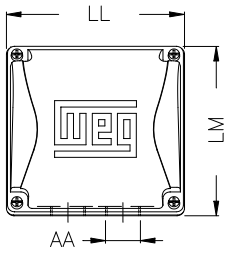
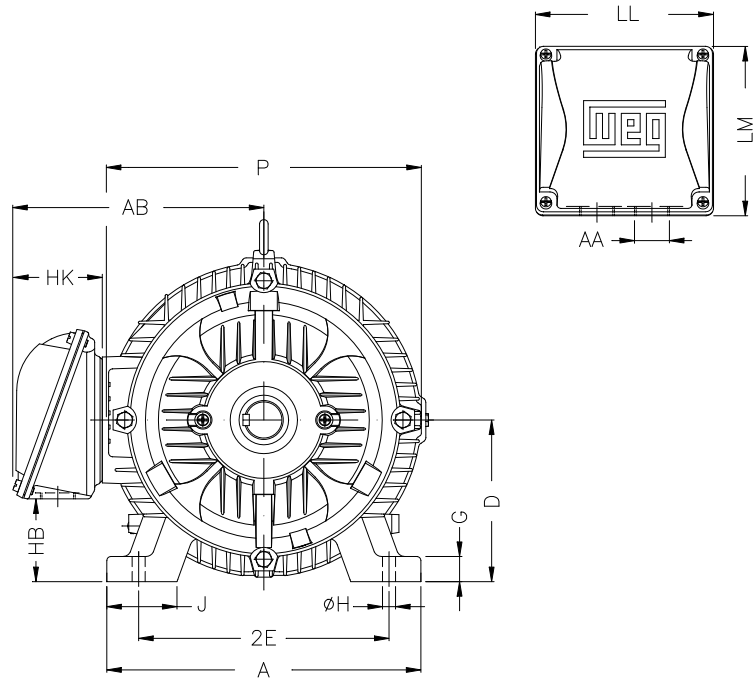
Notes:

Performed by

Checked

1 2 3 4 5 6 7 8

A
B
C
D
E
F



2E	J	A	P	AB
11.000	3.110	13.780	14.173	10.984
2F	K	B	BA	U
11.000	2.874	13.071	4.750	1.875
N-W	ES	S	R	depth
4.622	3.149	0.500	1.594	0.500
D	G	HB	O	T
7.000	1.023	3.535	14.067	2.087
HF	HH	HK	H	C
7.000	10.250	3.937	0.531	27.929
LL	LM	AA	d1	d2
7.795	7.402	NPT 1 1/2"	A 4	A 4
Flange	AJ	AK	BD	BF
FD-317	12.500	11.000	14.00	0.828
BB				
0.203				

Notes:

Performed by:

Checked:

Customer:

W22 NEMA Premium - Ball Bearings

Three-phase induction motor
Frame 286T - IP55

17-DEC-2012

