



No.:

Date: 17-DEC-2012

Customer :

TECHNICAL PROPOSAL

Three-phase induction motor - Squirrel cage rotor

Product line : W22 NEMA Premium - Ball Bearings

Catalog Number : 04036ET3E324TS-W22

List Price : \$4,725

Notes:

Performed by:

Checked:



No.:

Date: 17-DEC-2012

## DATA SHEET

### Three-phase induction motor - Squirrel cage rotor

Customer :  
Product line : W22 NEMA Premium - Ball Bearings

Frame : 324TS  
Output : 40 HP  
Frequency : 60 Hz  
Poles : 2  
Full load speed : 3555  
Slip : 1.25 %  
Voltage : 208-230/460 V  
Rated current : 101-91.6/45.8 A  
Locked rotor current : 586/293 A  
Locked rotor current (I<sub>L</sub>/I<sub>n</sub>) : 6.4  
No-load current : 24.0/12.0 A  
Full load torque : 58.3 lb.ft  
Locked rotor torque : 230 %  
Breakdown torque : 240 %  
Design : B  
Insulation class : F  
Temperature rise : 80 K  
Locked rotor time : 22 s (hot)  
Service factor : 1.25  
Duty cycle : S1  
Ambient temperature : -20°C - +40°C  
Altitude : 1000  
Degree of Protection : IP55  
Approximate weight : 547 lb  
Moment of inertia : 4.8955 sq.ft.lb  
Noise level : 78 dB(A)

	D.E.	N.D.E.	Load	Power factor	Efficiency (%)
Bearings	6312 C3	6212 C3	100%	0.89	92.4
Regreasing interval	12000 h	15000 h	75%	0.87	92.4
Grease amount	21 g	13 g	50%	0.82	91.7

Notes:

Performed by

Checked

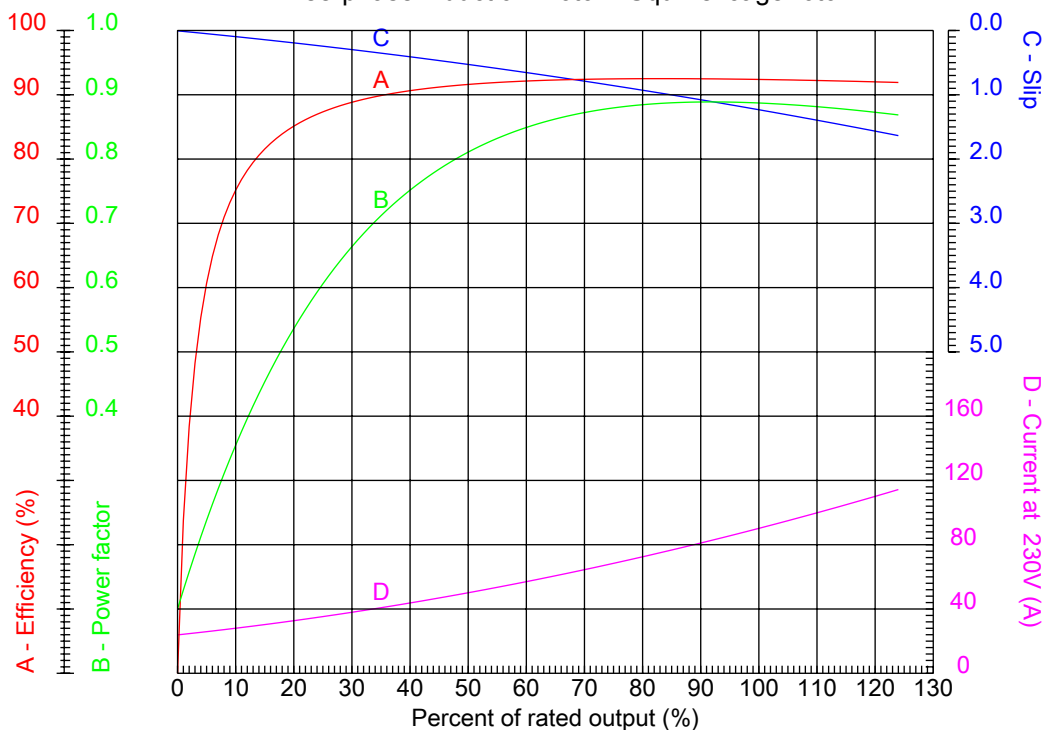


No.:

Date: 17-DEC-2012

### PERFORMANCE CURVES RELATED TO RATED OUTPUT

Three-phase induction motor - Squirrel cage rotor



Customer :  
Product line : W22 NEMA Premium - Ball Bearings

Frame : 324TS	Locked rotor current (I <sub>l</sub> /I <sub>n</sub> ) : 6.4
Output : 40 HP	Duty cycle : S1
Frequency : 60 Hz	Service factor : 1.25
Full load speed : 3555	Design : B
Voltage : 208-230/460 V	Locked rotor torque : 230 %
Rated current : 101-91.6/45.8 A	Breakdown torque : 240 %
Insulation class : F	

Notes:

Performed by

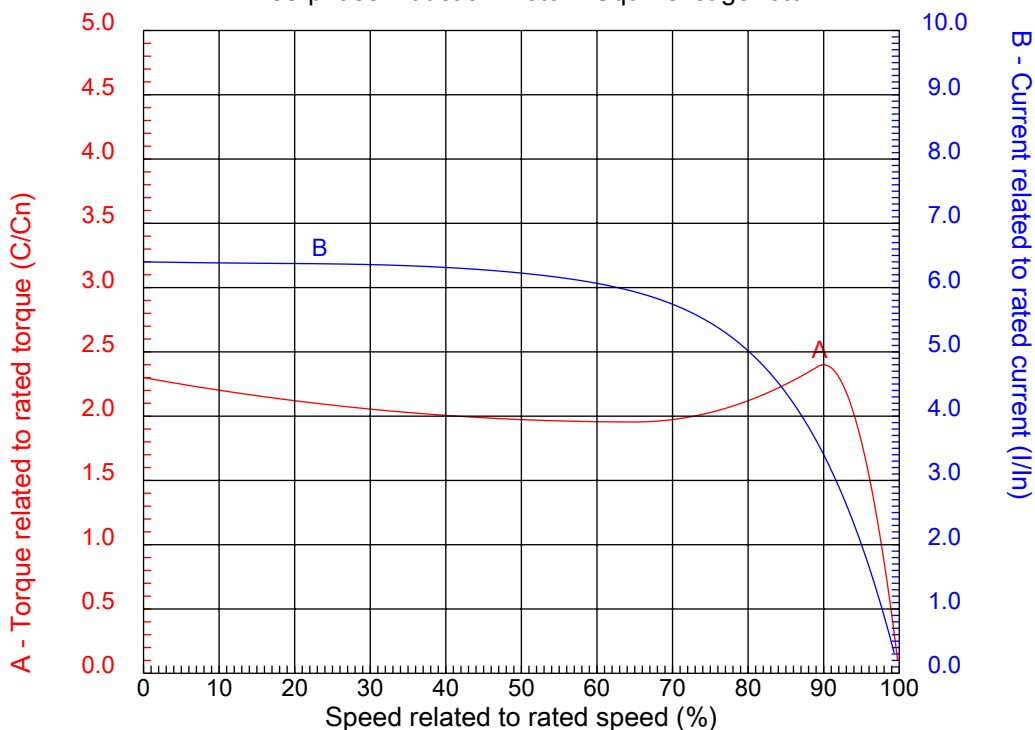
Checked



No.:

Date: 17-DEC-2012

### CHARACTERISTIC CURVES RELATED TO SPEED Three-phase induction motor - Squirrel cage rotor



Customer :  
Product line : W22 NEMA Premium - Ball Bearings

Frame	: 324TS	Locked rotor current (I <sub>l</sub> /I <sub>n</sub> )	: 6.4
Output	: 40 HP	Duty cycle	: S1
Frequency	: 60 Hz	Service factor	: 1.25
Full load speed	: 3555	Design	: B
Voltage	: 208-230/460 V	Locked rotor torque	: 230 %
Rated current	: 101-91.6/45.8 A	Breakdown torque	: 240 %
Insulation class	: F		

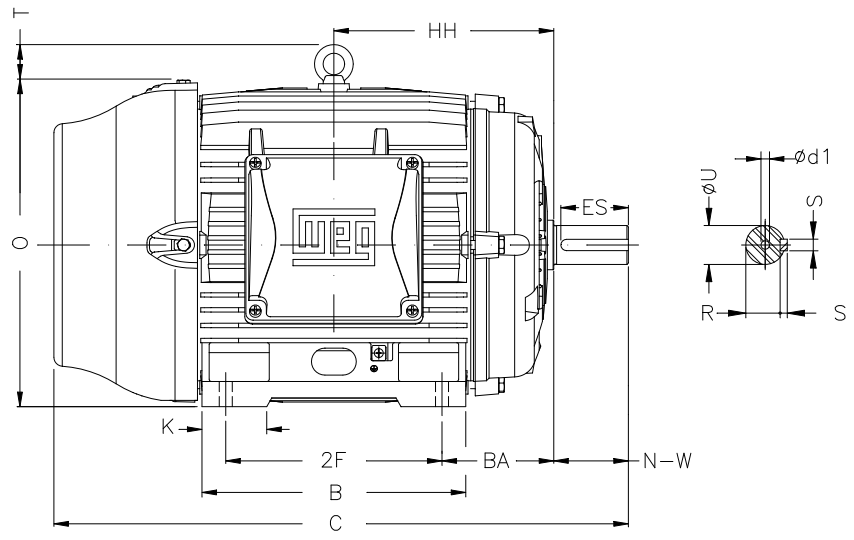
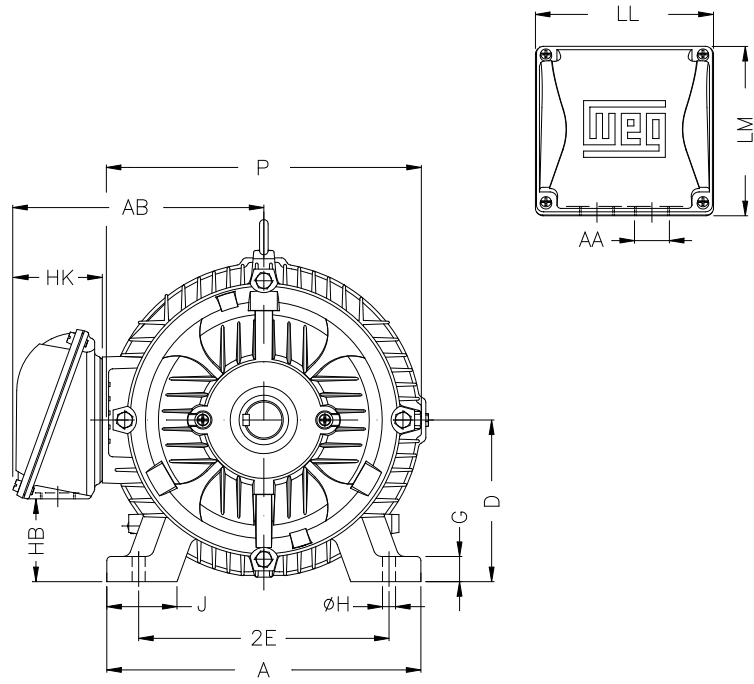
Notes:

Performed by

Checked

1 2 3 4 5 6 7 8

A  
B  
C  
D  
E  
F



2E	J	A	P	AB
12.500	3.189	15.157	15.827	12.480
2F	K	B	BA	U
10.500	3.189	13.071	5.250	1.875
N-W	ES	S	R	depth
3.750	2.756	0.500	1.594	0.500
D	G	HB	O	T
8.000	1.300	4.811	15.953	2.441
HF	HH	HK	H	C
8.708	10.500	4.645	0.657	28.120
LL	LM	AA	d1	d2
8.976	8.543	NPT 2"	A 4	A 4
Flange	AJ	AK	BD	BF
FD-406	16.000	14.000	18.00	0.828
BB				
0.203				

Notes:

Performed by:

Checked:

Customer:

W22 NEMA Premium - Ball Bearings

Three-phase induction motor  
Frame 324TS - IP55

17-DEC-2012

