



No.:

Date: 17-DEC-2012

Customer :

TECHNICAL PROPOSAL

Three-phase induction motor - Squirrel cage rotor

Product line : W22 NEMA Premium - Ball Bearings

Catalog Number : 06018ET3H364T-W22

List Price : \$7,389

Notes:

Performed by:

Checked:



No.:

Date: 17-DEC-2012

DATA SHEET

Three-phase induction motor - Squirrel cage rotor

Customer :
Product line : W22 NEMA Premium - Ball Bearings

Frame : 364/5T
Output : 60 HP
Frequency : 60 Hz
Poles : 4
Full load speed : 1775
Slip : 1.39 %
Voltage : 575 V
Rated current : 54.6 A
Locked rotor current : 361 A
Locked rotor current (I_L/I_n) : 6.6
No-load current : 19.2 A
Full load torque : 175 lb.ft
Locked rotor torque : 240 %
Breakdown torque : 260 %
Design : B
Insulation class : F
Temperature rise : 80 K
Locked rotor time : 15 s (hot)
Service factor : 1.25
Duty cycle : S1
Ambient temperature : -20°C - +40°C
Altitude : 1000
Degree of Protection : IP55
Approximate weight : 869 lb
Moment of inertia : 22.421 sq.ft.lb
Noise level : 67 dB(A)

| | D.E. | N.D.E. | Load | Power factor | Efficiency (%) |
|---------------------|---------|---------|------|--------------|----------------|
| Bearings | 6314 C3 | 6314 C3 | 100% | 0.87 | 95.0 |
| Regreasing interval | 12000 h | 12000 h | 75% | 0.83 | 94.5 |
| Grease amount | 27 g | 27 g | 50% | 0.75 | 94.1 |

Notes:

Performed by

Checked

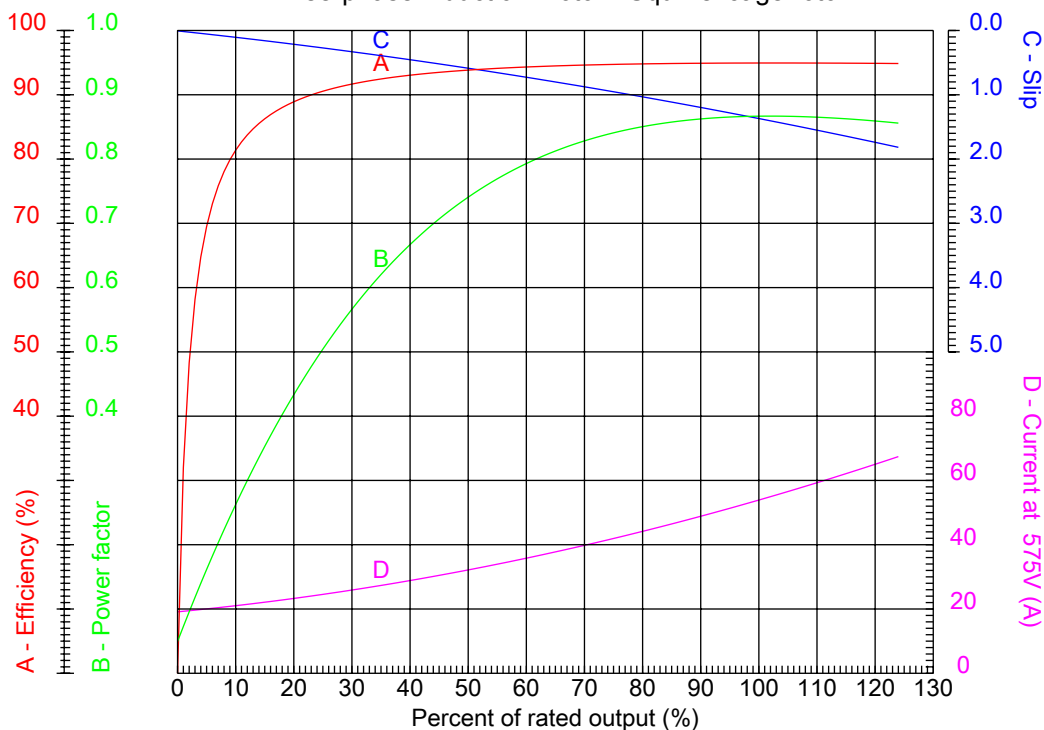


No.:

Date: 17-DEC-2012

PERFORMANCE CURVES RELATED TO RATED OUTPUT

Three-phase induction motor - Squirrel cage rotor



Customer :
Product line : W22 NEMA Premium - Ball Bearings

| | |
|------------------------|--|
| Frame : 364/5T | Locked rotor current (I _l /I _n) : 6.6 |
| Output : 60 HP | Duty cycle : S1 |
| Frequency : 60 Hz | Service factor : 1.25 |
| Full load speed : 1775 | Design : B |
| Voltage : 575 V | Locked rotor torque : 240 % |
| Rated current : 54.6 A | Breakdown torque : 260 % |
| Insulation class : F | |

Notes:

Performed by

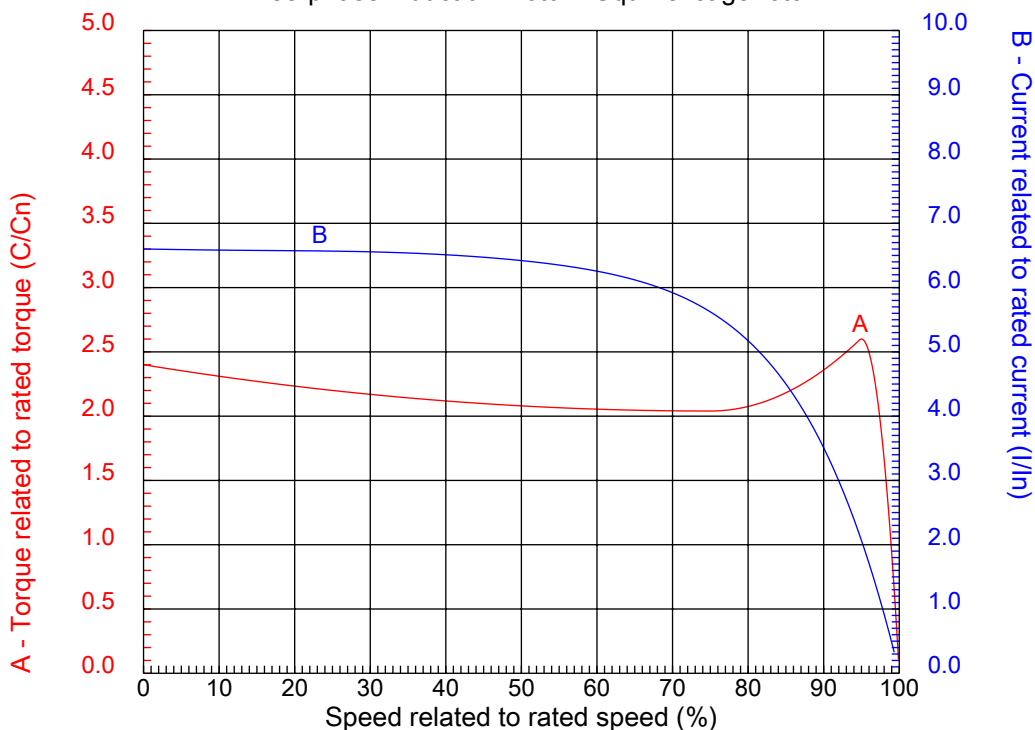
Checked



No.:

Date: 17-DEC-2012

CHARACTERISTIC CURVES RELATED TO SPEED Three-phase induction motor - Squirrel cage rotor



Customer :
Product line : W22 NEMA Premium - Ball Bearings

| | | | |
|------------------|----------|--|---------|
| Frame | : 364/5T | Locked rotor current (I _l /I _n) | : 6.6 |
| Output | : 60 HP | Duty cycle | : S1 |
| Frequency | : 60 Hz | Service factor | : 1.25 |
| Full load speed | : 1775 | Design | : B |
| Voltage | : 575 V | Locked rotor torque | : 240 % |
| Rated current | : 54.6 A | Breakdown torque | : 260 % |
| Insulation class | : F | | |

Notes:

Performed by

Checked

1 2 3 4 5 6 7 8

A

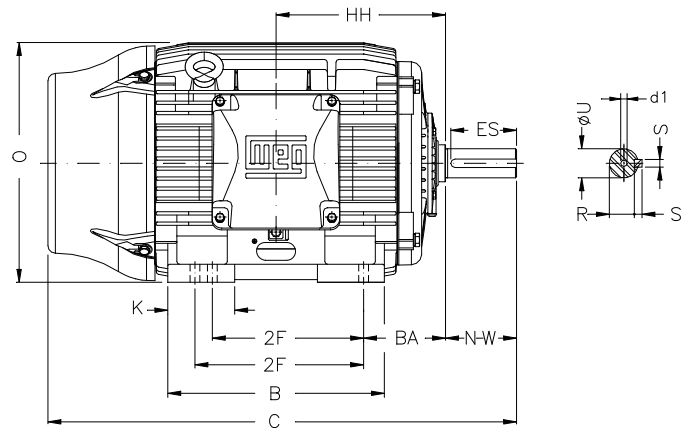
B

C

D

E

F



Notes:

Performed by:

Checked:

Customer:

W22 NEMA Premium - Ball Bearings

Three-phase induction motor
Frame 364/5T - IP55

17-DEC-2012



| | | | | |
|---------------------|--------------|--------------------|--------------------|------------------|
| 2E 14.016 | J 3.150 | A 17.165 | P 17.914 | AB 16.023 |
| 2F 11.260/12.244 | K 4.134 | B 15.512 | BA 5.875 | U 2.375 |
| N-W 5.874 | ES 4.330 | S 0.625 | R 2.019 | depth 0.625 |
| D 9.000 | G 1.480 | HB 2.992 | O 17.957 | T 6.255 |
| HH 8.346 | HK 6.023 | H 0.660 | C 34.251 | LL 10.590 |
| LM 11.181 | AA NPT 3" | d1 DUNC 3/4"-10 | d2 DUNC 3/4"-10 | Flange FD-406 |
| AJ 16.000 | AK 14.000 | BD 17.71 | BF 0.828 | BB 0.203 |