



No.:

Date: 17-DEC-2012

Customer :

TECHNICAL PROPOSAL

Three-phase induction motor - Squirrel cage rotor

Product line : W22 NEMA Premium - Ball Bearings

Catalog Number : 07518ET3H365T-W22

List Price : \$8,705

Notes:

Performed by:

Checked:



No.:

Date: 17-DEC-2012

DATA SHEET

Three-phase induction motor - Squirrel cage rotor

Customer :
Product line : W22 NEMA Premium - Ball Bearings

Frame : 364/5T
Output : 75 HP
Frequency : 60 Hz
Poles : 4
Full load speed : 1775
Slip : 1.39 %
Voltage : 575 V
Rated current : 67.3 A
Locked rotor current : 478 A
Locked rotor current (I_L/I_n) : 7.1
No-load current : 28.0 A
Full load torque : 219 lb.ft
Locked rotor torque : 240 %
Breakdown torque : 260 %
Design : B
Insulation class : F
Temperature rise : 80 K
Locked rotor time : 14 s (hot)
Service factor : 1.25
Duty cycle : S1
Ambient temperature : -20°C - +40°C
Altitude : 1000
Degree of Protection : IP55
Approximate weight : 919 lb
Moment of inertia : 23.251 sq.ft.lb
Noise level : 67 dB(A)

	D.E.	N.D.E.	Load	Power factor	Efficiency (%)
Bearings	6314 C3	6314 C3	100%	0.86	95.4
Regreasing interval	12000 h	12000 h	75%	0.82	95.0
Grease amount	27 g	27 g	50%	0.73	94.5

Notes:

Performed by

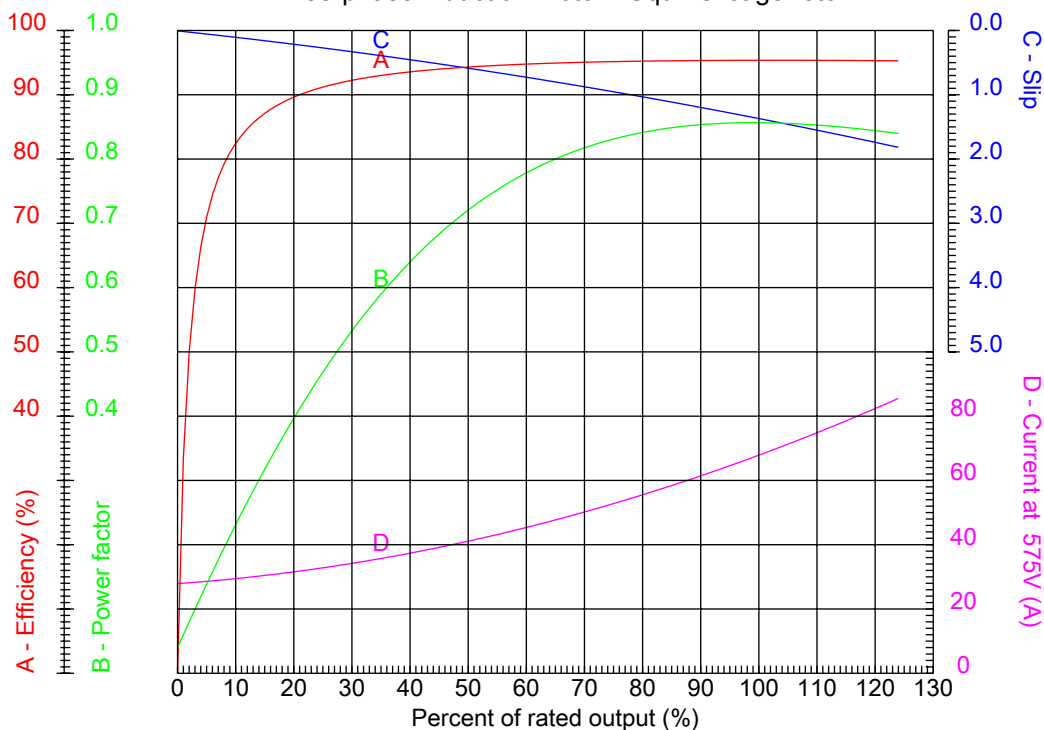
Checked



No.:

Date: 17-DEC-2012

PERFORMANCE CURVES RELATED TO RATED OUTPUT Three-phase induction motor - Squirrel cage rotor



Customer :
Product line : W22 NEMA Premium - Ball Bearings

Frame : 364/5T	Locked rotor current (I _l /I _n) : 7.1
Output : 75 HP	Duty cycle : S1
Frequency : 60 Hz	Service factor : 1.25
Full load speed : 1775	Design : B
Voltage : 575 V	Locked rotor torque : 240 %
Rated current : 67.3 A	Breakdown torque : 260 %
Insulation class : F	

Notes:

Performed by

Checked

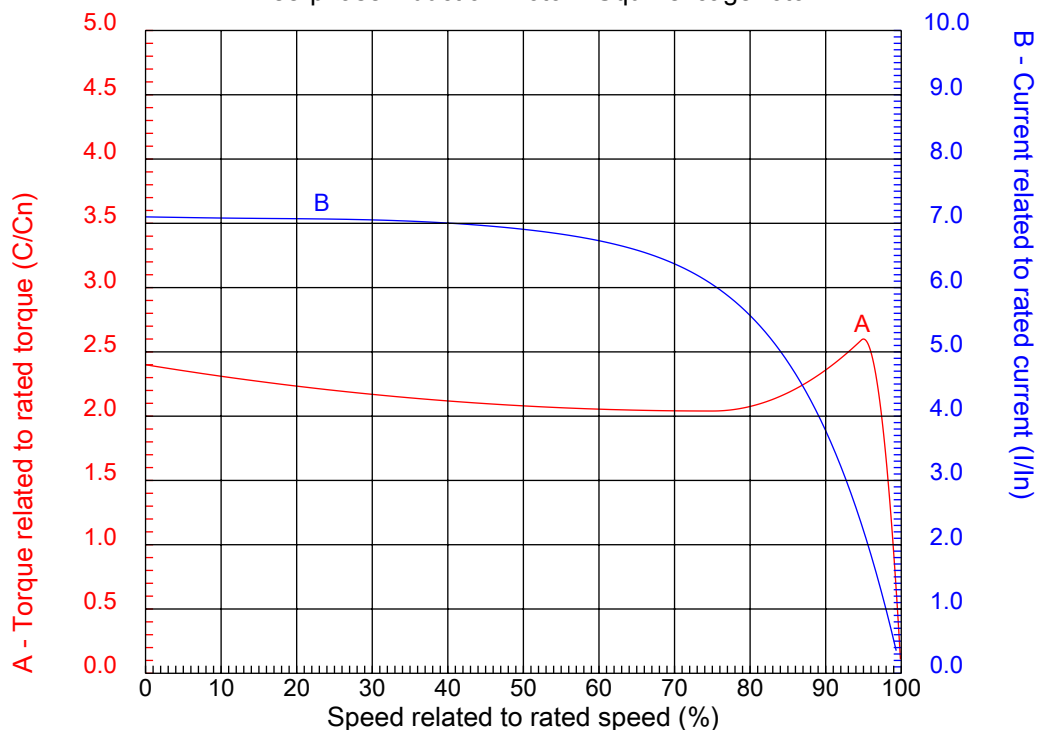


No.:

Date: 17-DEC-2012

CHARACTERISTIC CURVES RELATED TO SPEED

Three-phase induction motor - Squirrel cage rotor



Customer :
Product line : W22 NEMA Premium - Ball Bearings

Frame	: 364/5T	Locked rotor current (I _l /I _n)	: 7.1
Output	: 75 HP	Duty cycle	: S1
Frequency	: 60 Hz	Service factor	: 1.25
Full load speed	: 1775	Design	: B
Voltage	: 575 V	Locked rotor torque	: 240 %
Rated current	: 67.3 A	Breakdown torque	: 260 %
Insulation class	: F		

Notes:

Performed by

Checked

1 2 3 4 5 6 7 8

A

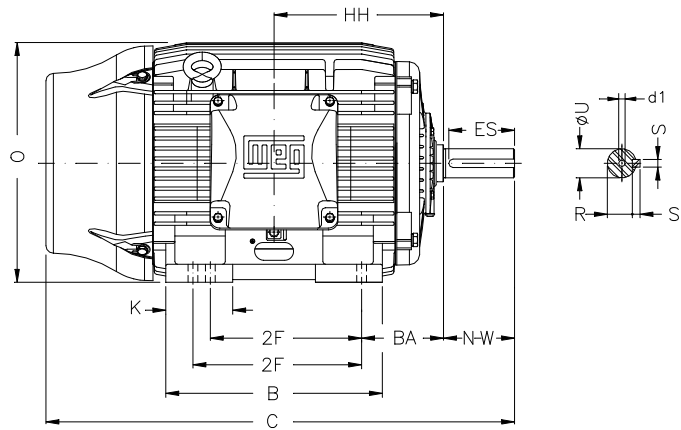
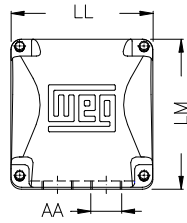
B

C

D

E

F



Notes:

2E 14.016	J 3.150	A 17.165	P 17.914	AB 16.023
2F 11.260/12.244	K 4.134	B 15.512	BA 5.875	U 2.375
N-W 5.874	ES 4.330	S 0.625	R 2.019	depth 0.625
D 9.000	G 1.480	HB 2.992	O 17.957	T 6.255
HH 8.346	HK 6.023	H 0.660	C 34.251	LL 10.590
LM 11.181	AA NPT 3"	d1 DUNC 3/4"-10	d2 DUNC 3/4"-10	Flange FD-406
AJ 16.000	AK 14.000	BD 17.71	BF 0.828	BB 0.203

Performed by:

Checked:

Customer:

W22 NEMA Premium - Ball Bearings

Three-phase induction motor
Frame 364/5T - IP55

17-DEC-2012

