



No.:

Date: 17-DEC-2012

Customer :

TECHNICAL PROPOSAL

Three-phase induction motor - Squirrel cage rotor

Product line : W22 NEMA Premium - Ball Bearings

Catalog Number : 12536ET3G444TS-W22

List Price : \$15,350

Notes:

Performed by:

Checked:



No.:

Date: 17-DEC-2012

DATA SHEET

Three-phase induction motor - Squirrel cage rotor

Customer :
Product line : W22 NEMA Premium - Ball Bearings

Frame : 444/5TS
Output : 125 HP
Frequency : 60 Hz
Poles : 2
Full load speed : 3570
Slip : 0.83 %
Voltage : 460 V
Rated current : 134 A
Locked rotor current : 884 A
Locked rotor current (I_L/I_n) : 6.6
No-load current : 38.0 A
Full load torque : 181 lb.ft
Locked rotor torque : 200 %
Breakdown torque : 250 %
Design : B
Insulation class : F
Temperature rise : 80 K
Locked rotor time : 29 s (hot)
Service factor : 1.15
Duty cycle : S1
Ambient temperature : -20°C - +40°C
Altitude : 1000
Degree of Protection : IP55
Approximate weight : 1599 lb
Moment of inertia : 33.508 sq.ft.lb
Noise level : 81 dB(A)

| | D.E. | N.D.E. | Load | Power factor | Efficiency (%) |
|---------------------|---------|---------|------|--------------|----------------|
| Bearings | 6314 C3 | 6314 C3 | 100% | 0.89 | 95.0 |
| Regreasing interval | 4000 h | 4000 h | 75% | 0.87 | 94.5 |
| Grease amount | 27 g | 27 g | 50% | 0.82 | 93.6 |

Notes:

Performed by

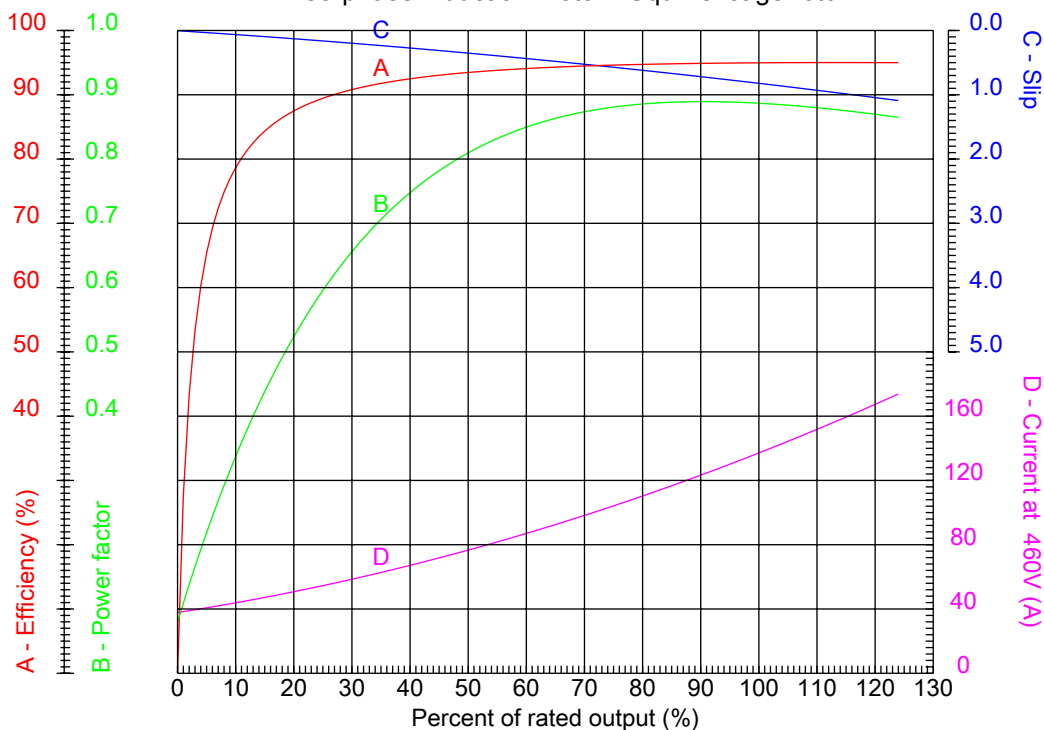
Checked



No.:

Date: 17-DEC-2012

PERFORMANCE CURVES RELATED TO RATED OUTPUT
Three-phase induction motor - Squirrel cage rotor



Customer :
Product line : W22 NEMA Premium - Ball Bearings

| | | | |
|------------------|-----------|--|---------|
| Frame | : 444/5TS | Locked rotor current (I _l /I _n) | : 6.6 |
| Output | : 125 HP | Duty cycle | : S1 |
| Frequency | : 60 Hz | Service factor | : 1.15 |
| Full load speed | : 3570 | Design | : B |
| Voltage | : 460 V | Locked rotor torque | : 200 % |
| Rated current | : 134 A | Breakdown torque | : 250 % |
| Insulation class | : F | | |

Notes:

Performed by

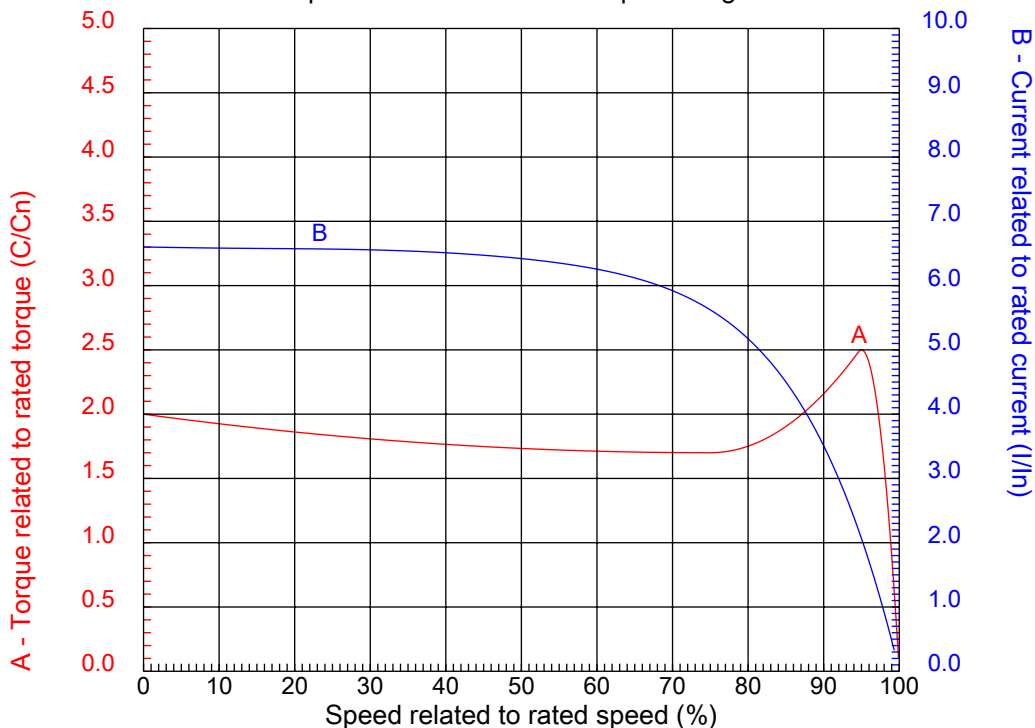
Checked



No.:

Date: 17-DEC-2012

CHARACTERISTIC CURVES RELATED TO SPEED
Three-phase induction motor - Squirrel cage rotor



Customer :
Product line : W22 NEMA Premium - Ball Bearings

| | | | |
|------------------|-----------|--|---------|
| Frame | : 444/5TS | Locked rotor current (I _l /I _n) | : 6.6 |
| Output | : 125 HP | Duty cycle | : S1 |
| Frequency | : 60 Hz | Service factor | : 1.15 |
| Full load speed | : 3570 | Design | : B |
| Voltage | : 460 V | Locked rotor torque | : 200 % |
| Rated current | : 134 A | Breakdown torque | : 250 % |
| Insulation class | : F | | |

Notes:

Performed by

Checked

1 2 3 4 5 6 7 8

A

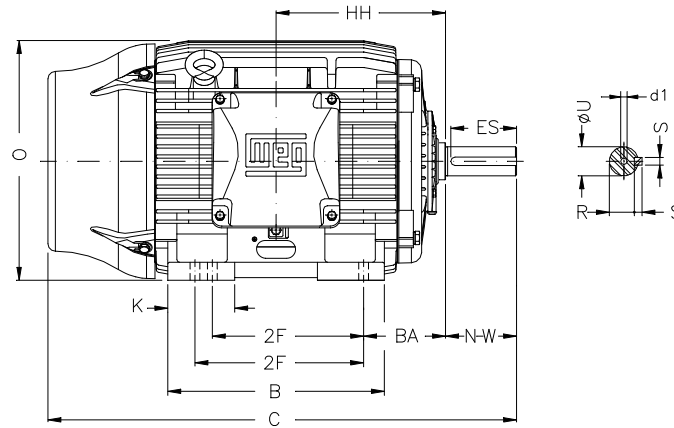
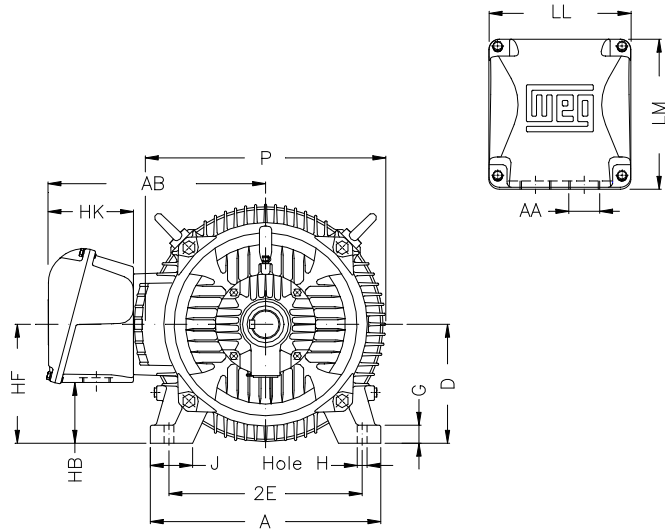
B

C

D

E

F



Notes:

| | | | | |
|---------------------|----------------|--------------------|--------------------|------------------|
| 2E 18.000 | J 3.937 | A 21.929 | P 23.583 | AB 18.569 |
| 2F 14.500/16.500 | K 5.866 | B 20.315 | BA 7.500 | U 2.375 |
| N-W 4.750 | ES 3.000 | S 0.625 | R 2.021 | depth 0.625 |
| D 11.000 | G 1.630 | HB 5.394 | O 22.795 | T 4.567 |
| HH 15.748 | HK 6.024 | H 0.810 | C 41.200 | LL 12.362 |
| LM 12.244 | AA 2XNPT 3" | d1 DUNC 3/4"-10 | d2 DUNC 3/4"-10 | Flange FD-508 |
| AJ 20.000 | AK 18.000 | BD 21.65 | BF 0.828 | BB 0.203 |

Performed by:

Checked:

Customer:

W22 NEMA Premium - Ball Bearings

Three-phase induction motor

Frame 444/5TS - IP55

17-DEC-2012

