



No.:

Date: 17-DEC-2012

Customer :

TECHNICAL PROPOSAL

Three-phase induction motor - Squirrel cage rotor

Product line : W22 NEMA Premium - Ball Bearings

Catalog Number : 30012ET3G586/7-W22

List Price : \$44,301

Notes:

Performed by:

Checked:



No.:

Date: 17-DEC-2012

## DATA SHEET

### Three-phase induction motor - Squirrel cage rotor

Customer :  
Product line : W22 NEMA Premium - Ball Bearings

Frame : 586/7T  
Output : 300 HP  
Frequency : 60 Hz  
Poles : 6  
Full load speed : 1190  
Slip : 0.83 %  
Voltage : 460 V  
Rated current : 356 A  
Locked rotor current : 2140 A  
Locked rotor current (I<sub>L</sub>/I<sub>n</sub>) : 6.0  
No-load current : 135 A  
Full load torque : 1306 lb.ft  
Locked rotor torque : 200 %  
Breakdown torque : 200 %  
Design : B  
Insulation class : F  
Temperature rise : 80 K  
Locked rotor time : 30 s (hot)  
Service factor : 1.15  
Duty cycle : S1  
Ambient temperature : -20°C - +40°C  
Altitude : 1000  
Degree of Protection : IP55  
Approximate weight : 3495 lb  
Moment of inertia : 277.07 sq.ft.lb  
Noise level : 77 dB(A)

	D.E.	N.D.E.	Load	Power factor	Efficiency (%)
Bearings	6322 C3	6319 C3	100%	0.81	95.8
Regreasing interval	11000 h	13000 h	75%	0.78	95.8
Grease amount	60 g	45 g	50%	0.69	95.4

Notes:

Performed by

Checked

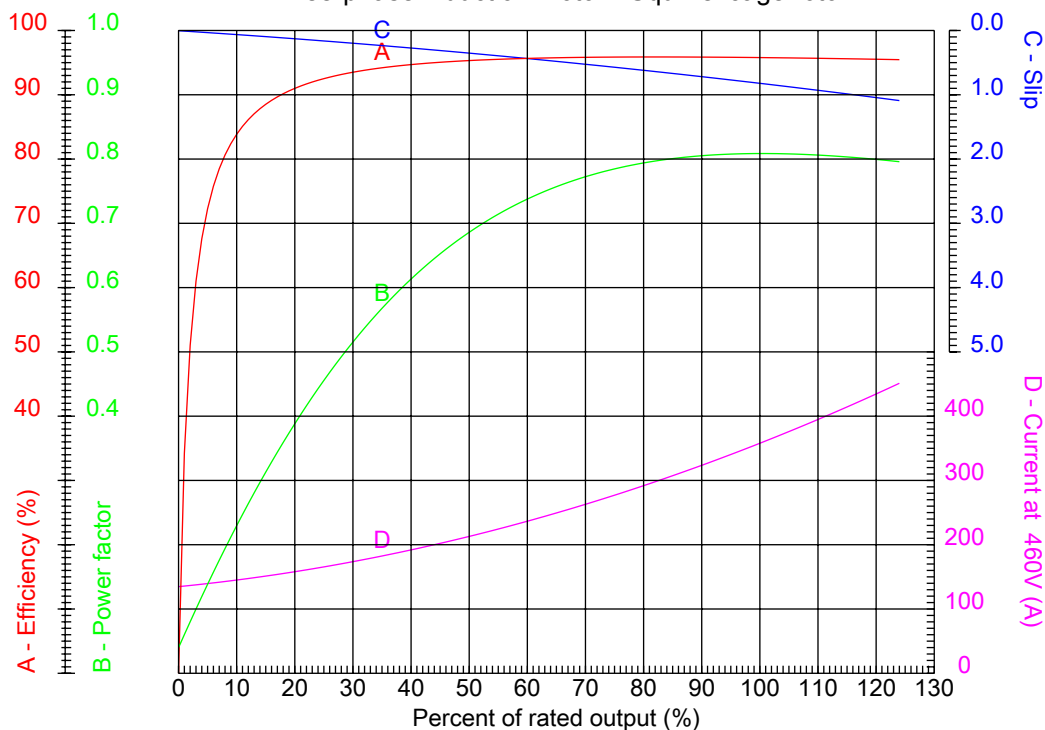


No.:

Date: 17-DEC-2012

### PERFORMANCE CURVES RELATED TO RATED OUTPUT

Three-phase induction motor - Squirrel cage rotor



Customer :  
Product line : W22 NEMA Premium - Ball Bearings

Frame : 586/7T	Locked rotor current (I <sub>l</sub> /I <sub>n</sub> ) : 6.0
Output : 300 HP	Duty cycle : S1
Frequency : 60 Hz	Service factor : 1.15
Full load speed : 1190	Design : B
Voltage : 460 V	Locked rotor torque : 200 %
Rated current : 356 A	Breakdown torque : 200 %
Insulation class : F	

Notes:

Performed by

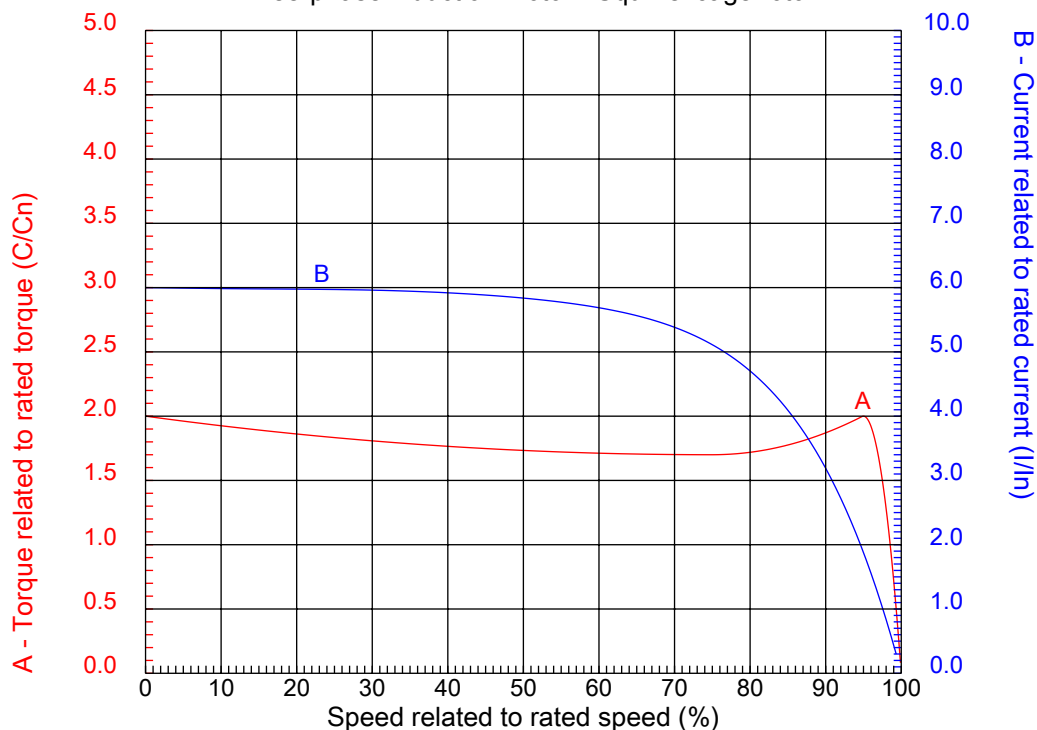
Checked



No.:

Date: 17-DEC-2012

### CHARACTERISTIC CURVES RELATED TO SPEED Three-phase induction motor - Squirrel cage rotor



Customer :  
Product line : W22 NEMA Premium - Ball Bearings

Frame	: 586/7T	Locked rotor current (I <sub>l</sub> /I <sub>n</sub> )	: 6.0
Output	: 300 HP	Duty cycle	: S1
Frequency	: 60 Hz	Service factor	: 1.15
Full load speed	: 1190	Design	: B
Voltage	: 460 V	Locked rotor torque	: 200 %
Rated current	: 356 A	Breakdown torque	: 200 %
Insulation class	: F		

Notes:

Performed by

Checked

1 2 3 4 5 6 7 8

A

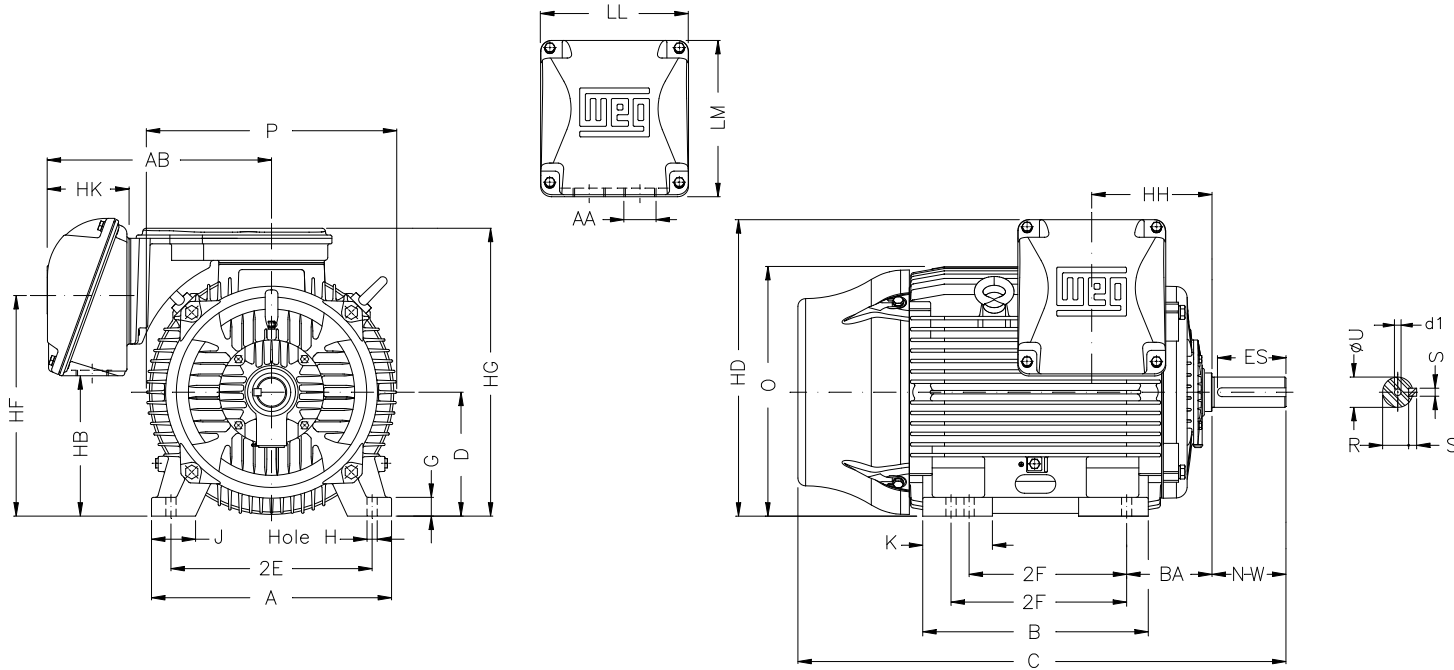
B

C

D

E

F



Notes:

2E	J	A	P	AB
23.000	5.512	29.528	28.977	23.977
2F	K	B	BA	U
22.000/25.000	9.055	29.921	10.000	3.875
N-W	ES	S	R	depth
11.625	8.661	1.000	3.312	1.000
D	G	HB	O	T
14.500	2.492	18.673	28.985	5.552
HF	HG	HH	HK	H
26.732	33.346	13.386	8.464	1.181
C	LL	LM	AA	d1
61.902	15.906	17.244	2XNPT 3"	DUNC 7/8"-9
d2	Flange	AJ	AK	BD
DUNC 3/4"-10	FD-762	30.000	28.000	32.00
BF	BB			
0.828	0.250			

Performed by:

Checked:

Customer:

W22 NEMA Premium - Ball Bearings

Three-phase induction motor  
Frame 586/7T - IP55

17-DEC-2012

