



No.:

Date: 17-DEC-2012

Customer :

TECHNICAL PROPOSAL

Three-phase induction motor - Squirrel cage rotor

Product line : W22 NEMA Premium - Ball Bearings

Catalog Number : 30018ET3G449TS-W22

List Price : \$31,384

Notes:

Performed by:

Checked:



No.:

Date: 17-DEC-2012

## DATA SHEET

### Three-phase induction motor - Squirrel cage rotor

Customer :  
Product line : W22 NEMA Premium - Ball Bearings

Frame : 447/9TS  
Output : 300 HP  
Frequency : 60 Hz  
Poles : 4  
Full load speed : 1780  
Slip : 1.11 %  
Voltage : 460 V  
Rated current : 330 A  
Locked rotor current : 2150 A  
Locked rotor current (I<sub>L</sub>/I<sub>n</sub>) : 6.5  
No-load current : 105 A  
Full load torque : 873 lb.ft  
Locked rotor torque : 230 %  
Breakdown torque : 230 %  
Design : B  
Insulation class : F  
Temperature rise : 80 K  
Locked rotor time : 16 s (hot)  
Service factor : 1.15  
Duty cycle : S1  
Ambient temperature : -20°C - +40°C  
Altitude : 1000  
Degree of Protection : IP55  
Approximate weight : 2381 lb  
Moment of inertia : 89.555 sq.ft.lb  
Noise level : ---

	D.E.	N.D.E.	Load	Power factor	Efficiency (%)
Bearings	6314 C3	6314 C3	100%	0.87	96.2
Regreasing interval	12000 h	12000 h	75%	0.84	96.2
Grease amount	27 g	27 g	50%	0.77	95.8

Notes:

Performed by

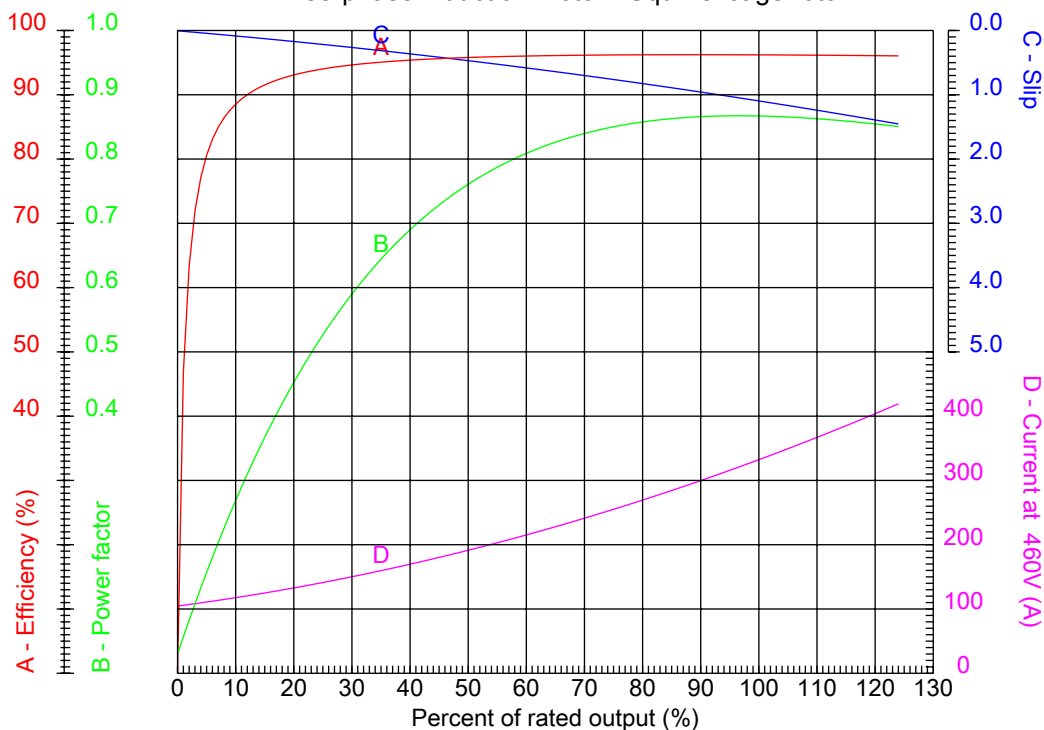
Checked



No.:

Date: 17-DEC-2012

### PERFORMANCE CURVES RELATED TO RATED OUTPUT Three-phase induction motor - Squirrel cage rotor



Customer :  
Product line : W22 NEMA Premium - Ball Bearings

Frame	: 447/9TS	Locked rotor current (I <sub>l</sub> /I <sub>n</sub> )	: 6.5
Output	: 300 HP	Duty cycle	: S1
Frequency	: 60 Hz	Service factor	: 1.15
Full load speed	: 1780	Design	: B
Voltage	: 460 V	Locked rotor torque	: 230 %
Rated current	: 330 A	Breakdown torque	: 230 %
Insulation class	: F		

Notes:

Performed by

Checked

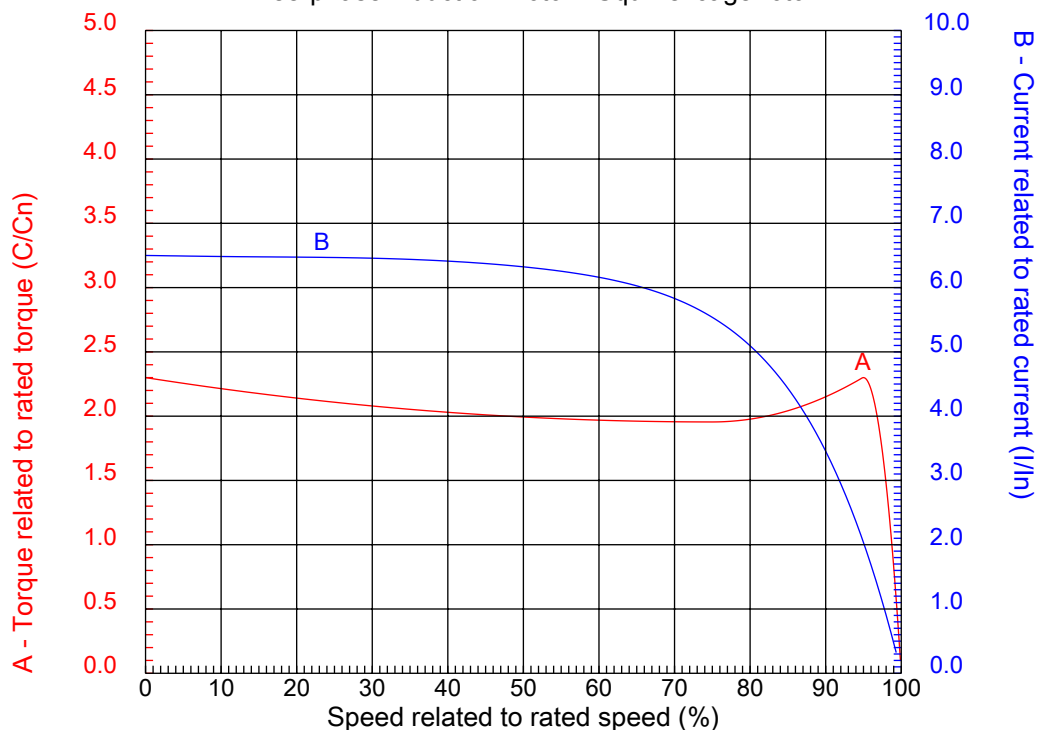


No.:

Date: 17-DEC-2012

### CHARACTERISTIC CURVES RELATED TO SPEED

Three-phase induction motor - Squirrel cage rotor



Customer :  
Product line : W22 NEMA Premium - Ball Bearings

Frame	: 447/9TS	Locked rotor current (I <sub>l</sub> /I <sub>n</sub> )	: 6.5
Output	: 300 HP	Duty cycle	: S1
Frequency	: 60 Hz	Service factor	: 1.15
Full load speed	: 1780	Design	: B
Voltage	: 460 V	Locked rotor torque	: 230 %
Rated current	: 330 A	Breakdown torque	: 230 %
Insulation class	: F		

Notes:

Performed by

Checked

1 2 3 4 5 6 7 8

A

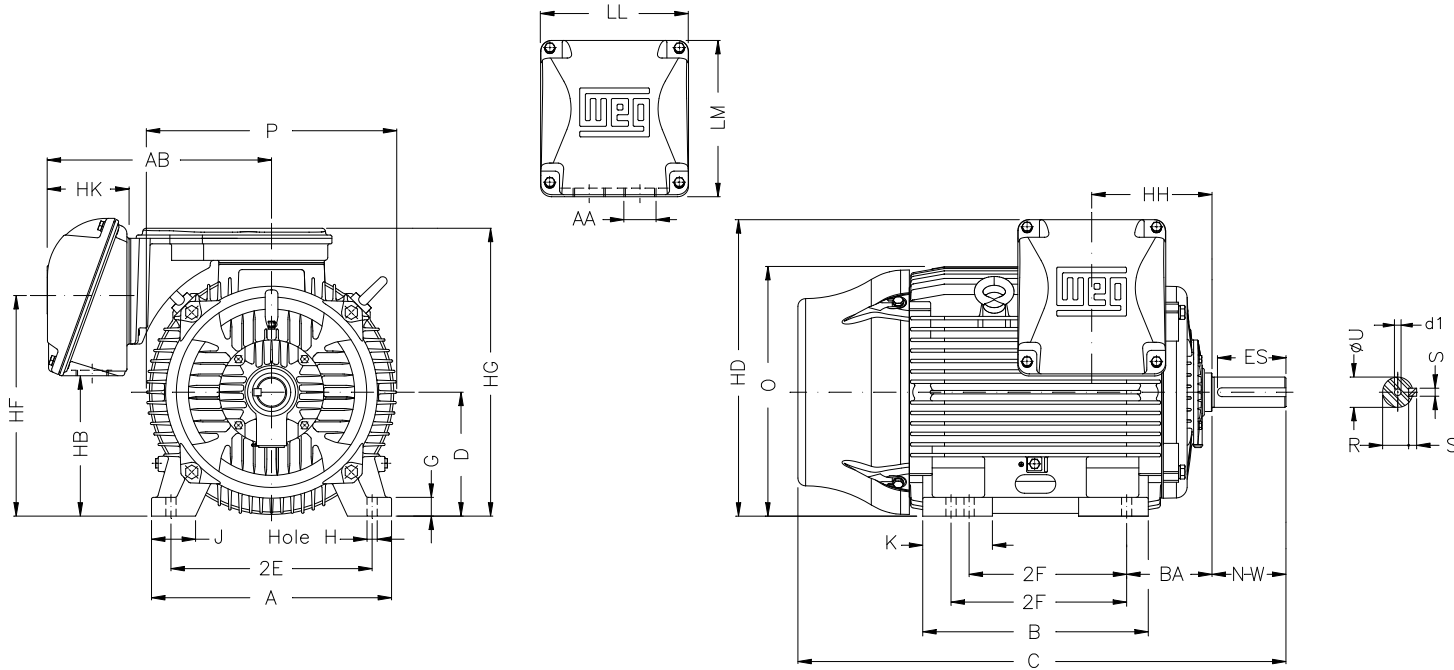
B

C

D

E

F



Notes:	
Performed by:	
Checked:	
Customer:	
W22 NEMA Premium - Ball Bearings	
Three-phase induction motor Frame 447/9TS - IP55	17-DEC-2012

2E 18.000	J 3.937	A 21.929	P 23.583	AB 20.670
2F 20.000/25.000	K 11.77	B 31.535	BA 7.500	U 2.375
N-W 4.750	ES 3.000	S 0.625	R 2.021	depth 0.625
D 11.000	G 1.630	HB 12.598	O 22.795	T 7.378
HF 20.724	HG 26.850	HH 11.803	HK 6.968	H 0.810
C 52.588	LL 14.646	LM 15.040	AA 2XNPT 3"	d1 DUNC 3/4"-10
d2 DUNC 3/4"-10	Flange FD-508	AJ 20.000	AK 18.000	BD 21.65
BF 0.828	BB 0.203			