



No.:

Date: 17-DEC-2012

Customer :

TECHNICAL PROPOSAL

Three-phase induction motor - Squirrel cage rotor

Product line : W22 NEMA Premium - Ball Bearings

Catalog Number : 60036ET3G588/9S-W22

List Price : \$64,635

Notes:

Performed by:

Checked:



No.:

Date: 17-DEC-2012

DATA SHEET

Three-phase induction motor - Squirrel cage rotor

Customer :
Product line : W22 NEMA Premium - Ball Bearings

Frame : 588/9TS
Output : 600 HP
Frequency : 60 Hz
Poles : 2
Full load speed : 3585
Slip : 0.42 %
Voltage : 460 V
Rated current : 650 A
Locked rotor current : 4810 A
Locked rotor current (I_L/I_n) : 7.4
No-load current : 155 A
Full load torque : 867 lb.ft
Locked rotor torque : 230 %
Breakdown torque : 270 %
Design : B
Insulation class : F
Temperature rise : 80 K
Locked rotor time : 33 s (hot)
Service factor : 1.00
Duty cycle : S1
Ambient temperature : -20°C - +40°C
Altitude : 1000
Degree of Protection : IP55
Approximate weight : 4410 lb
Moment of inertia : 155.23 sq.ft.lb
Noise level : 89 dB(A)

	D.E.	N.D.E.	Load	Power factor	Efficiency (%)
Bearings	6314 C3	6314 C3	100%	0.90	96.5
Regreasing interval	4000 h	4000 h	75%	0.89	96.5
Grease amount	27 g	27 g	50%	0.84	96.0

Notes:

Performed by

Checked

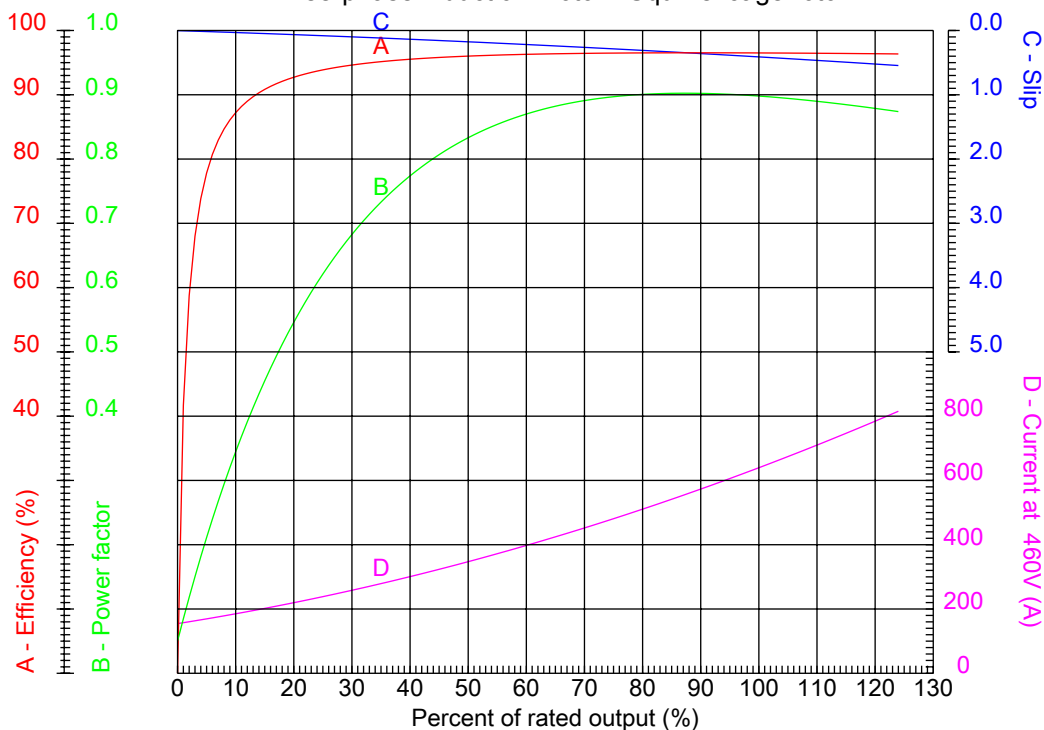


No.:

Date: 17-DEC-2012

PERFORMANCE CURVES RELATED TO RATED OUTPUT

Three-phase induction motor - Squirrel cage rotor



Customer :
Product line : W22 NEMA Premium - Ball Bearings

Frame	: 588/9TS	Locked rotor current (I _l /I _n)	: 7.4
Output	: 600 HP	Duty cycle	: S1
Frequency	: 60 Hz	Service factor	: 1.00
Full load speed	: 3585	Design	: B
Voltage	: 460 V	Locked rotor torque	: 230 %
Rated current	: 650 A	Breakdown torque	: 270 %
Insulation class	: F		

Notes:

Performed by

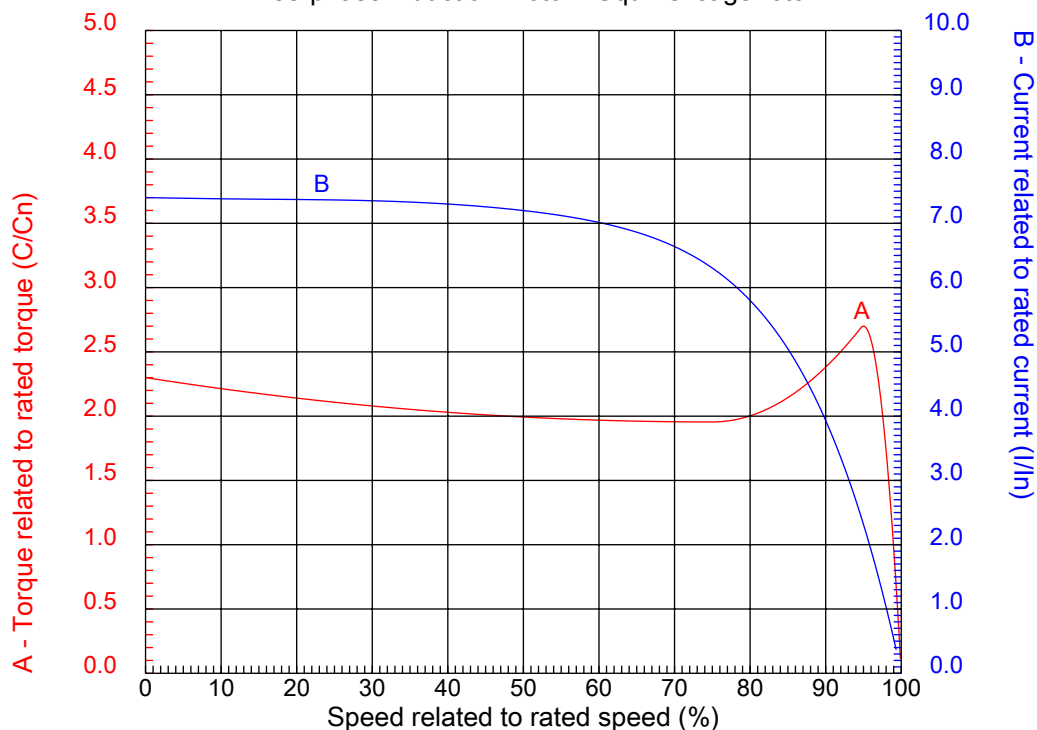
Checked



No.:

Date: 17-DEC-2012

CHARACTERISTIC CURVES RELATED TO SPEED Three-phase induction motor - Squirrel cage rotor



Customer :
Product line : W22 NEMA Premium - Ball Bearings

Frame	: 588/9TS	Locked rotor current (I _l /I _{ln})	: 7.4
Output	: 600 HP	Duty cycle	: S1
Frequency	: 60 Hz	Service factor	: 1.00
Full load speed	: 3585	Design	: B
Voltage	: 460 V	Locked rotor torque	: 230 %
Rated current	: 650 A	Breakdown torque	: 270 %
Insulation class	: F		

Notes:

Performed by

Checked

1 2 3 4 5 6 7 8

A

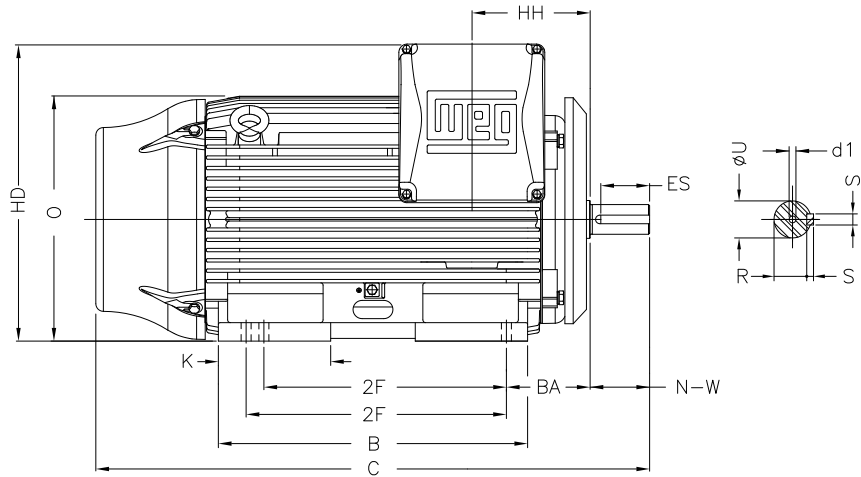
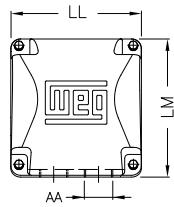
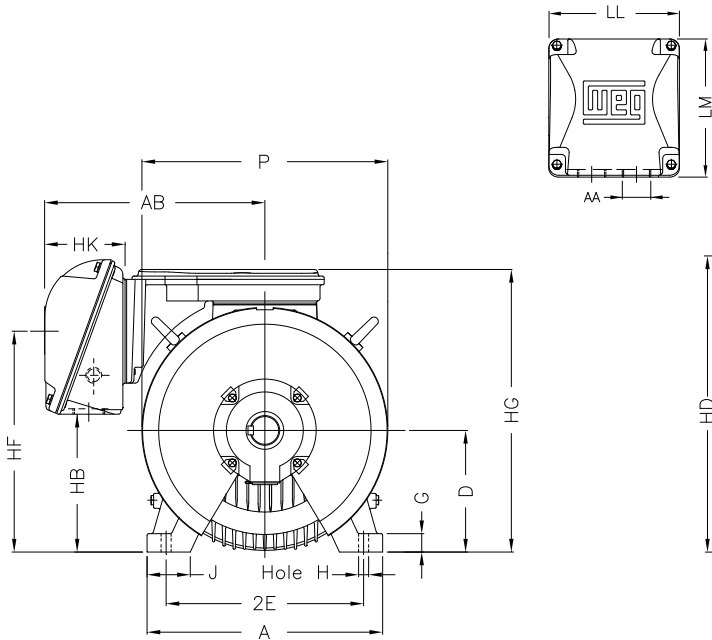
B

C

D

E

F



Notes:

Performed by:

Checked:

Customer:

W22 NEMA Premium - Ball Bearings

Three-phase induction motor
Frame 588/9TS - IP55

17-DEC-2012



2E 23.000	J 5.512	A 29.528	P 28.977	AB 27.600
2F 28.000/32.000	K 13.030	B 37.980	BA 10.000	U 2.375
N-W 4.750	ES 3.000	S 0.625	R 2.021	depth 0.625
D 14.500	G 2.492	HB 6.063	O 28.985	T 6.361
HF 26.182	HG 33.346	HH 13.386	HK 11.417	H 1.181
C 62.506	LL 18.110	LM 21.456	AA 2XNPT 4"	d1 DUNC 3/4"-10
d2 DUNC 3/4"-10	Flange FD-762	AJ 30.000	AK 28.000	BD 32.000
BF 0.828	BB 0.250			