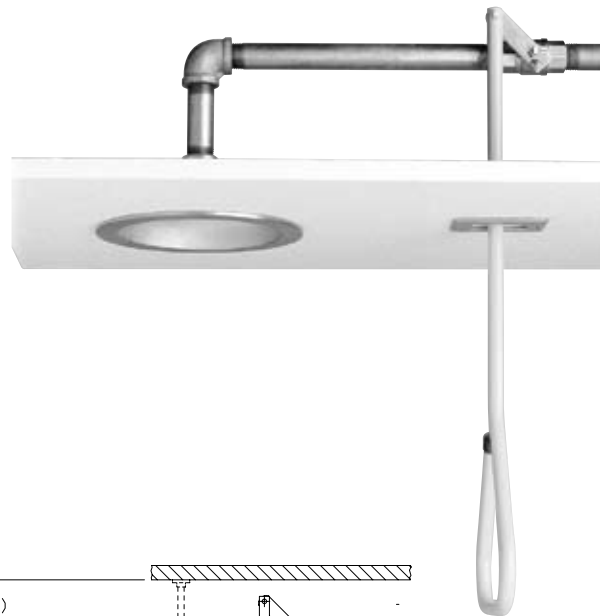


SPEAKMAN®

SE-236-PR

LIFESAVER® EMERGENCY SHOWER



DESCRIPTION

The SE-236-PR Lifesaver® Emergency Shower features a concealed ceiling mounted impeller action chrome-plated shower head with a horizontal supply. The unit is activated with a 1" stay-open ball valve operated by a high visibility yellow pull rod.

SPECIFICATIONS

Showerhead: Brass, 10" flush mounted, polished chrome plated

Flow Control: Internal 20 gpm regulator

Valve: 1" NPT female brass, chrome-plated, stay-open valve

Flange: Brass, chrome plated

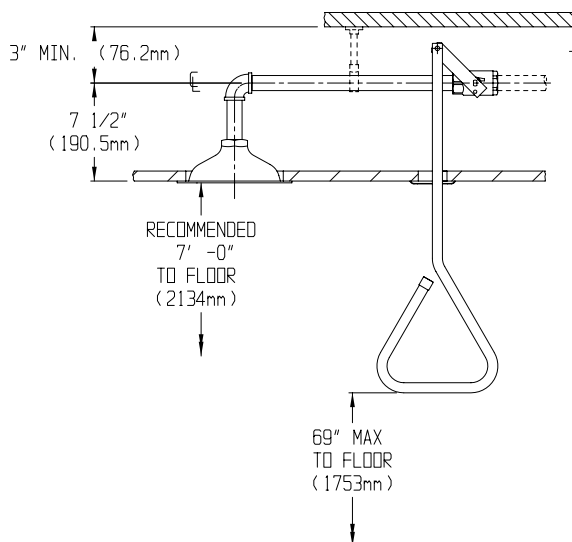
Pipe: 1" IPS galvanized steel

Activator: High visibility yellow aluminum pull rod

Performance: 20 gpm @ 20 psi

Compliance: ANSI Z358.1

Universal Emergency Sign Included



OPTIONS

- FLW Flow switch
- SPR Stainless steel pull rod
- SSBV Stainless steel ball valve
- SSH Stainless steel showerhead
- XPR Extended aluminum pull rod

Job Name _____
Location _____
Architect/Engineer _____
Sales Representative _____
Wholesaler _____
Date _____ Model # _____