

SPEAKMAN®

SE-495

EYESAVER® EYE/FACE WASH

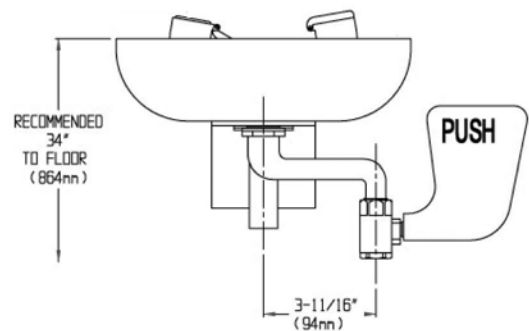
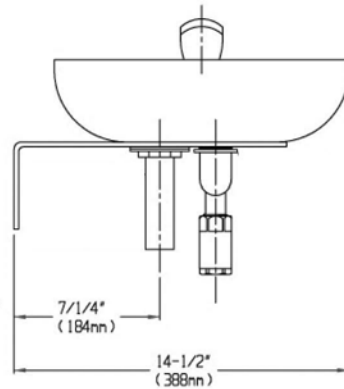
DESCRIPTION

The SE-495 Eyesaver® eye/face wash features a plastic bowl, dual spray heads with automatic flow controls and flip-top dust covers.



SPECIFICATIONS

- Bowl:** Yellow plastic
- Spray Heads:** (2) yellow plastic spray outlets with flip-top dust caps
- Valve:** 1/2" NPT female brass, chrome-plated
- Activator:** Stainless steel push handle
- Inlet:** 1/2" NPT female
- Performance:** 4.09 gpm @ 30 psi
- Compliance:** ANSI Z358.1
- Universal Emergency Sign Included**



OPTIONS

- FLW Flow switch
- FPV Freeze protection valve
- HFO Hand/Foot operation
- HS Hand-held spray
- ILS In-line strainer
- PT P-trap
- SPV Scald protection valve
- SSBV2 1/2" Stainless steel ball valve

Job Name _____
Location _____
Architect/Engineer _____
Sales Representative _____
Wholesaler _____
Date _____ Model # _____