

SPEAKMAN®

SE-496

EYESAVER® EYE/FACE WASH

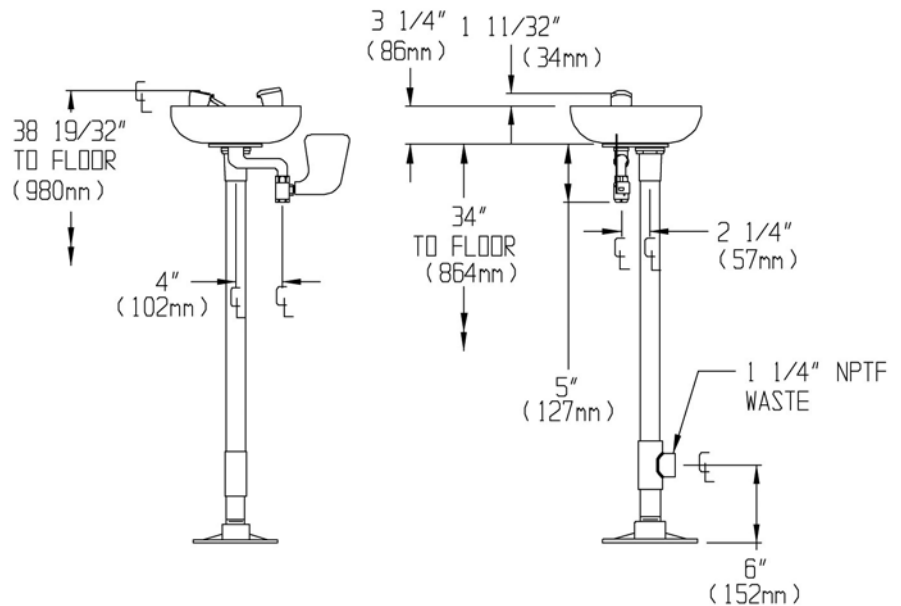


DESCRIPTION

The SE-496 is a pedestal mounted emergency eye/face wash. Supplied with plastic bowl, stay-open full flow ball valve; activated by stainless steel push handle; twin spray heads with individual flow restrictors, and flip-off dust covers.

SPECIFICATIONS

- Bowl:** Yellow plastic
- Spray Heads:** (2) yellow plastic spray outlets with flip-top dust caps
- Valve:** 1/2" NPT female brass, chrome plated
- Activator:** Stainless steel push handle
- Inlet:** 1/2" NPT female
- Pipe:** 1 1/4" IPS Galvanized Steel.
- Waste:** 1-1/4" NPT Female.
- Finish:** DuraJade™
- Performance:** 3.8 gpm @ 30 psi
- Compliance:** ANSI Z358.1
- Universal Emergency Sign Included**



OPTIONS

- FLW Flow switch
- FPV Freeze protection valve
- HFO Hand/Foot operation
- HS Hand-held spray
- PT P-trap
- SPV Scald protection valve
- SSBV2 1/2" stainless steel valve

Job Name _____	
Location _____	
Architect/Engineer _____	
Sales Representative _____	
Wholesaler _____	
Date _____	Model # _____