

SPEAKMAN®

SE-545

EYESAVER® EYEWASH

DESCRIPTION

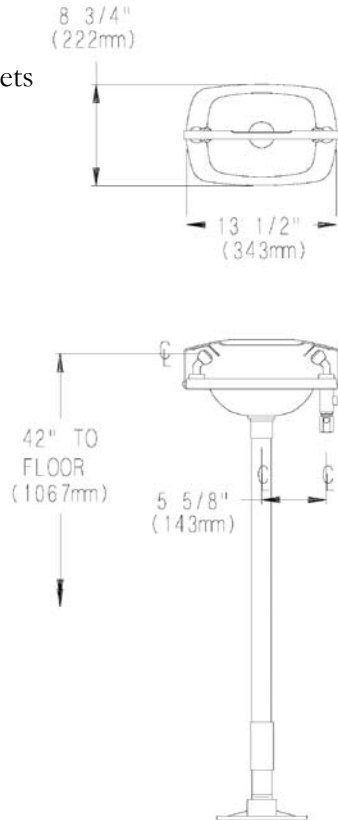
SE-545 Eyesaver pedestal mounted eyewash station offers twin aerated sprays for gentle yet thorough rinsing of the eyes. The unit features a rectangular stainless steel bowl and unique panic bar activating system.

SPECIFICATIONS

- Bowl:** 300 series stainless steel
- Spray Heads:** (2) aerated yellow nylon spray outlets
- Valve:** 1/2" NPT female brass, chrome-plated
- Activator:** Stainless steel trigger bar
- Inlet:** 1/2" NPT female
- Pipe:** 1 1/4" IPS galvanized steel
- Waste:** 1 1/4" NPT female
- Finish:** DuraJade™
- Compliance:** ANSI Z358.1
- Universal Emergency Sign Included**

OPTIONS

- HFO Hand foot operation
- FPV Freeze protection valve
- SPV Scald protection valve
- FLW Flow switch
- HS Hand held spray
- SSBV Stainless steel ball valve
- ILS In-line strainer



Job Name _____
Location _____
Architect/Engineer _____
Sales Representative _____
Wholesaler _____
Date _____ Model # _____