

# SPEAKMAN®

## SE-575-SD-ADA

### SWING ACTIVATED EYE/FACE WASH

#### DESCRIPTION

The SE-575-SD-ADA is a wall mounted eye/face wash which is encased in a stainless steel cabinet. The unit activates automatically as the spray arms are pulled downwards. The extended arms provide for easy accessibility for persons with physical disabilities and a lockable access panel provides for easy serviceability from the front of the unit.

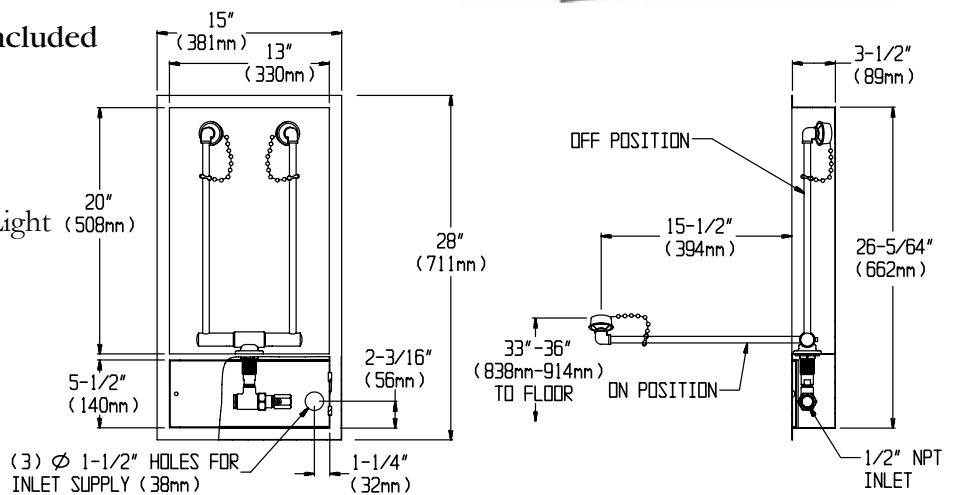
#### SPECIFICATIONS

- Activator:** swing activated
- Spray heads:** (2) brass, chrome plated
- Valve:** Brass, chrome plated
- Inlet:** 1/2" NPT female
- Cabinet:** 304 stainless steel with satin finish
- Performance:** 3 gpm @ 30 psi
- Compliance:** ANSI Z358.1
- Universal Emergency Sign Included**



#### OPTIONS

- FLW Flow switch
- VPL Vapor Proof Light



Job Name _____	
Location _____	
Architect/Engineer _____	
Sales Representative _____	
Wholesaler _____	
Date _____	Model # _____