

# SPEAKMAN®

## SE-577-SD

### SWING ACTIVATED EYEWASH

#### DESCRIPTION

The SE-577-SD is a wall mounted emergency eyewash. Supplied with stay-open full flow valve activated by pulling the arms down.

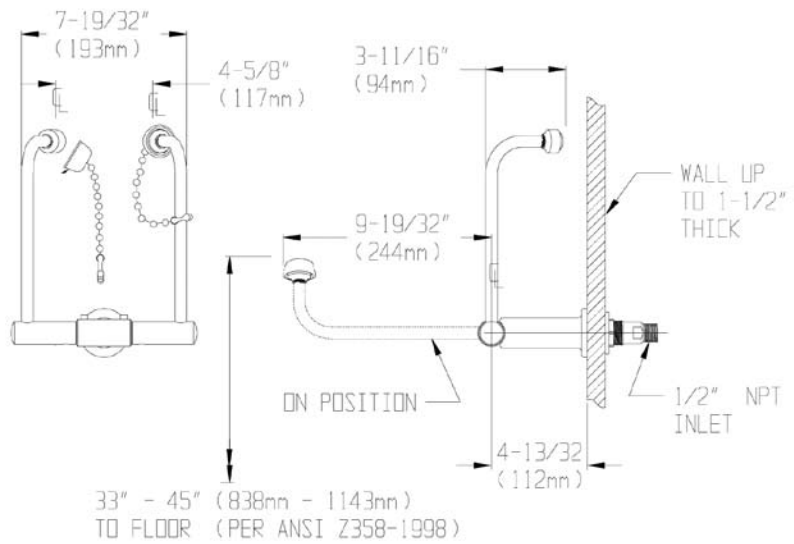
#### SPECIFICATIONS

- Activator:** pull down arms
- Spray heads:** (2) brass, chrome plated, aerated
- Valve:** Brass, chrome plated
- Inlet:** 1/2" NPT female
- Performance:** 3 gpm @ 30 psi
- Compliance:** ANSI Z358.1
- Emergency Sign:** 7-7/8" x 7-7/8" plastic wall sign



#### OPTIONS

- FLW Flow switch



Job Name _____	
Location _____	
Architect/Engineer _____	
Sales Representative _____	
Wholesaler _____	
Date _____	Model # _____