

SPEAKMAN®

SE-597

PERSONAL WASH STATION

DESCRIPTION

The SE-597 is a portable personal wash station. Supplied with stainless steel tank, pressure gauge, air filler, pressure relief valve, and drench hose. The unit is activated by squeeze handle with aerated spray nozzle, and dust cover.

SPECIFICATIONS

Tank: 5 gallon (19 liters) stainless steel

Drench Hose:

Valve: 3/8" NPT female brass, chrome plated

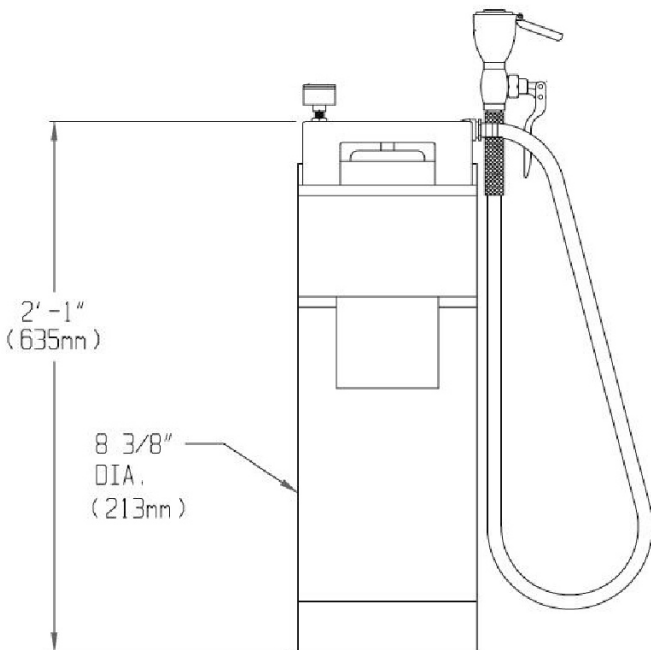
Hose: 6' reinforced, 750 PSI burst pressure, hose clip for valve

Sprayhead: Yellow plastic spray outlet with flip-top dust cap and an automatic flow control

Shipping Weight: 12 1/4 lbs.

Filled Weight: 61 1/4 lbs.

Performance: 0.75 GPM for 7 mins.



Job Name _____
Location _____
Architect/Engineer _____
Sales Representative _____
Wholesaler _____
Date _____ Model # _____