

SPEAKMAN®

SE-603

COMBINATION SHOWER & EYE/FACE WASH

DESCRIPTION

SE-603 Safe-T-Zone® features the SE-400 eye/face wash with six aerated sprays and rectangular stainless steel bowl combined on a powder coated galvanized steel stanchion with an impeller action deluge showerhead which is activated by a high visibility yellow pull rod.

SPECIFICATIONS

Showerhead: 8" diameter Cicolac® yellow plastic

Flow Control: Internal 20 gpm regulator

Valve: 1" NPT female brass, chrome-plated full flow stay-open ball valve

Activator: Powder coated yellow, aluminum triangular pull rod

Stanchion: 1 1/4" IPS galvanized steel piping with brass fittings

Inlet & Waste: 1 1/4" NPT female

Finish: DuraJade™ powder coated finish

Performance: 20 gpm @ 20 psi flowing

EYE/FACE WASH: SE-400

Bowl: 300 series stainless steel

Spray Heads: (6) brass, chrome-plated aerators, plastic covered brass bodies

Valve: 1/2" NPT female brass, chrome-plated

Activator: Stainless steel push handle

Inlet: 1/2" NPT female

Strainer: Brass, chrome-plated, in-line

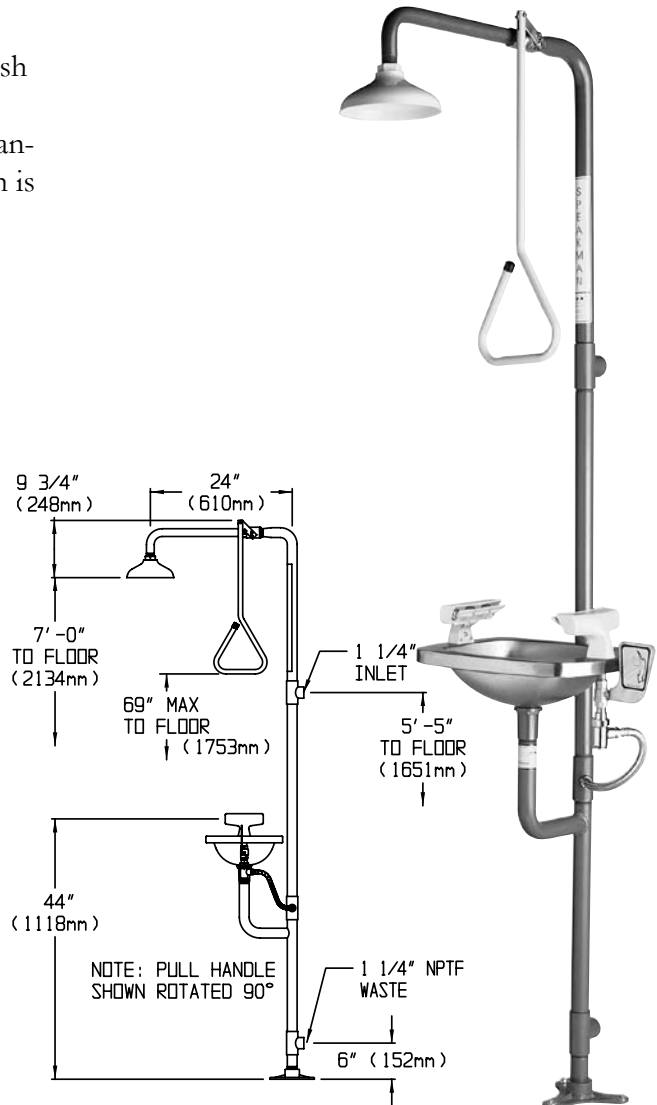
Performance: 9.3 gpm @ 30 psi

Compliance: ANSI Z358.1

Universal Emergency Sign Included

OPTIONS

- 30GPM 30gpm regulator
- HFO Hand foot operation
- FPV Freeze protection valve
- SPV Scald protection valve
- FLW Flow switch
- HS Hand held spray
- TS Top supply
- SSH Stainless steel showerhead
- SPR Stainless steel pull rod
- SSBV Stainless steel ball valves
- BH Chrome plated brass showerhead



Job Name _____
Location _____
Architect/Engineer _____
Sales Representative _____
Wholesaler _____
Date _____ Model # _____