

SPEAKMAN®

SE-697

COMBINATION SHOWER & EYEWASH

DESCRIPTION

The SE-697 Safe-T-Zone® features the SE-580 eyewash with dual aerated spray outlets, flip-top dust covers and yellow plastic bowl combined on a powder coated galvanized steel stanchion with an impeller action deluge showerhead which is activated by a high visibility yellow pull rod.

SPECIFICATIONS

Showerhead: 8" Cylolac® yellow plastic

Flow Control: Internal 20 gpm regulator

Valve: 1" NPT female brass, chrome-plated. Full flow stay open ball valve

Activator: Powder coated yellow, aluminum triangular pull rod

Stanchion: 1 1/4" IPS galvanized steel piping with brass fittings

Inlet & Waste: 1 1/4" NPT female

Finish: DuraJade™ powder coated finish

Performance: 20 gpm @ 20 psi

EYEWASH: SE-580

Bowl: Yellow plastic

Spray Heads: (2) aerated yellow plastic spray outlets with flip-top dust caps

Valve: 1/2" NPT female brass, chrome-plated full flow stay open ball valve

Activator: Stainless steel push handle

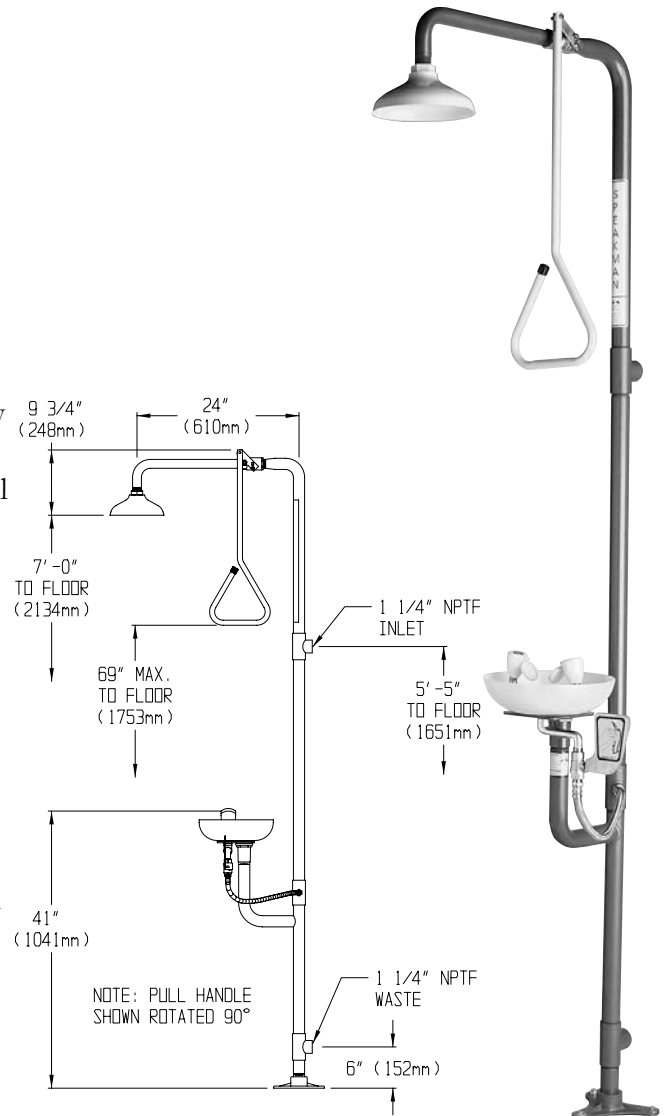
Performance: 3.8 gpm @ 30 psi

Compliance: ANSI Z358.1

Universal Emergency Sign Included

OPTIONS

- 30GPM 30gpm regulator
- BH Brass showerhead
- FLW Flow switch
- FPV Freeze protection valve
- HFO Hand/Foot operation
- HS Hand-held spray
- PSS Polished stainless steel finish
- SCV Self-closing shower valve
- SPR Stainless steel pull rod
- SPV Scald protection valve
- SSBV Stainless steel ball valve
- SSH Stainless steel showerhead
- TS Top supply
- XPR Extended aluminum pull rod



Job Name _____
Location _____
Architect/Engineer _____
Sales Representative _____
Wholesaler _____
Date _____ Model # _____

43030

Revision Date
MAR. 2011

400 Anchor Mill Road, New Castle, DE 19720 USA
1-800-537-2107 | Fax: 1-800-977-2747
WWW.SPEAKMANCOMPANY.COM