

# SPEAKMAN®

## SE-925-TEW

### COMBINATION EYEWASH & DRENCH HOSE

#### DESCRIPTION

The SE-925-TEW wall mounted combination drench hose/eyewash featuring stay open valve, twin aerated sprays with automatic flow control, 12' recoiling hose and flip-top dust covers.

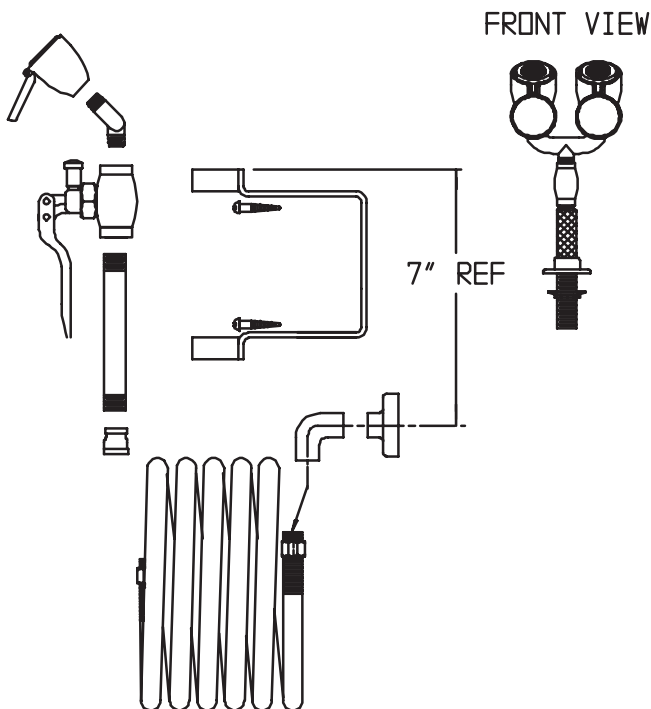
#### SPECIFICATIONS

**Spray Heads:** Yellow plastic spray outlets with flip-top dust caps and an automatic flow control  
**Valve:** 3/8" NPT female brass, chrome-plated  
**Activator:** Brass, chrome-plated squeeze handle  
**Hose:** 12' recoiling hose  
**Inlet:** 3/8" NPT male, swivel connection  
**Performance:** 2.37 gpm @ 30 psi  
**Compliance:** ANSI Z358.1



#### OPTION

VB Vacuum breaker



Job Name _____
Location _____
Architect/Engineer _____
Sales Representative _____
Wholesaler _____
Date _____ Model # _____