

SPEAKMAN®

SE-950

SHOWER & EYEWASH TESTER

DESCRIPTION

The SE-950 Shower and Eyewash tester is complete with 5 gallon bucket & lid, shower tester, and eyewash tester. It is designed to allow the testing of emergency safety showers & eyewashes to validate that the equipment meets ANSI Z358.1 compliance.

SPECIFICATIONS

Material:

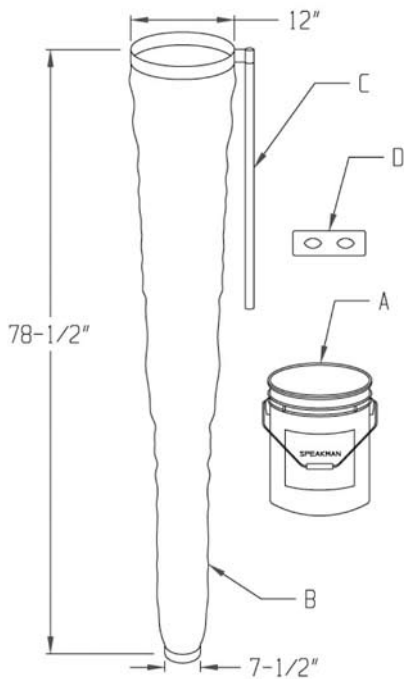
TEST BUCKET & LID: 5 Gallon White Plastic

FUNNEL SLEEVE: White Vinyl

ATTACHMENT RING: Steel

HANDLE: PVC

EYEWASH TESTER: Clear Plastic



Job Name _____
Location _____
Architect/Engineer _____
Sales Representative _____
Wholesaler _____
Date _____ Model # _____