



leisure craft INC.

P.O. Box 1700 • Hendersonville, NC 28793 • Tel: (800) 633-8241 • (828) 693-8241
Fax: (828) 693-8777 • www.leisurecraftinc.com • sales@leisurecraftinc.com

SPEC SHEET: UM102A

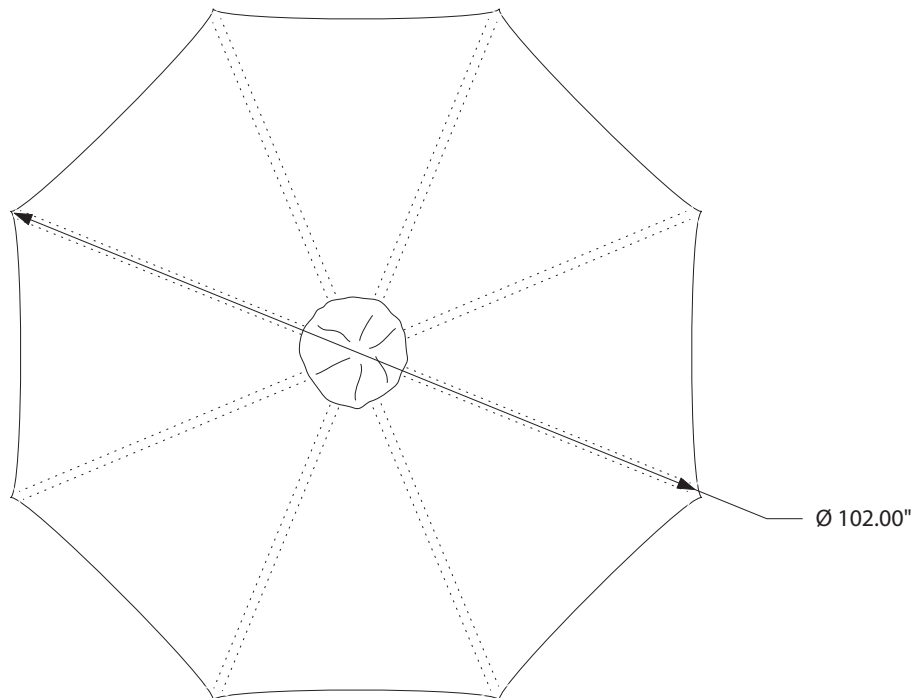
102" POPUP UMBRELLA

Wt. 15 lbs

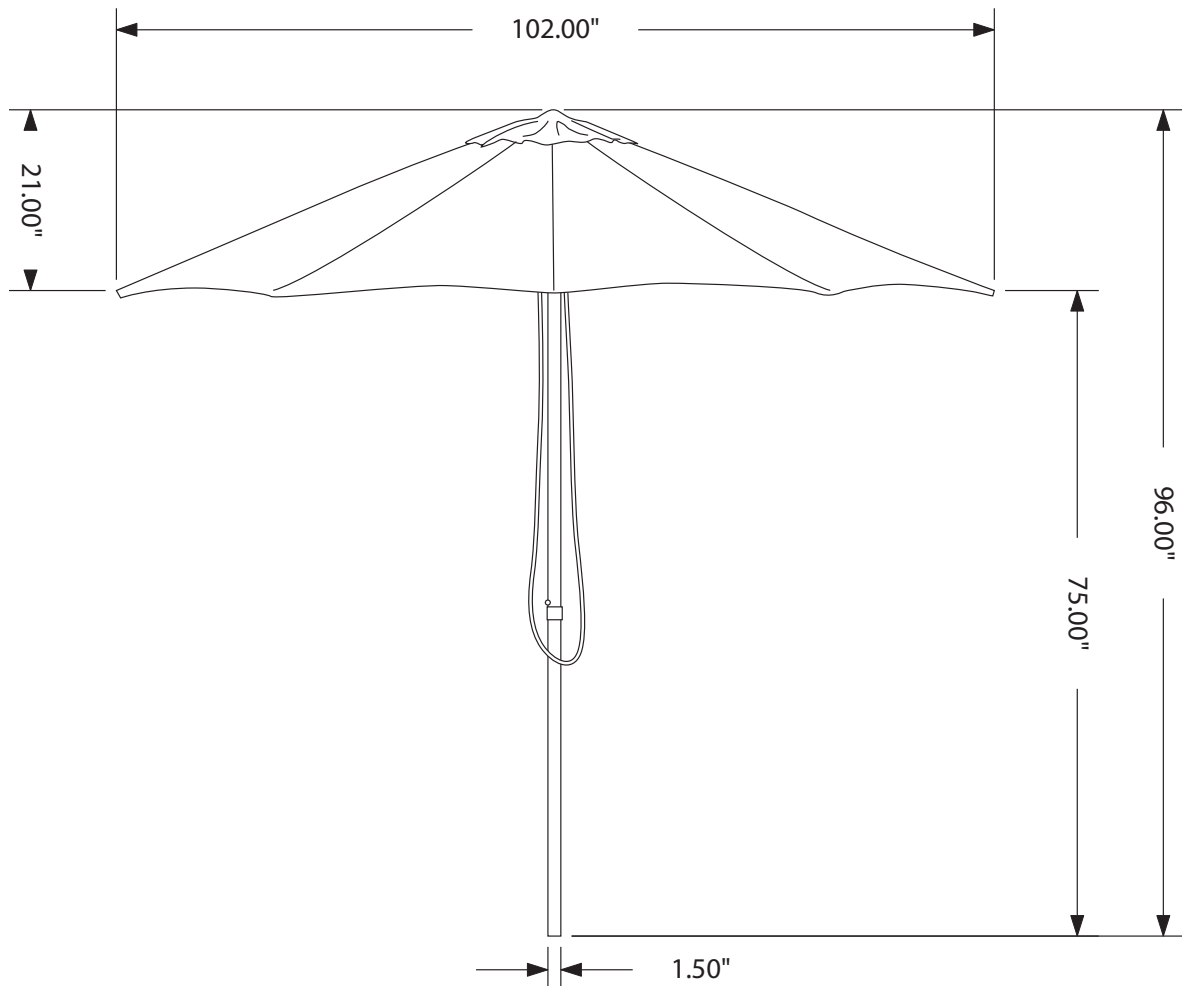
photo



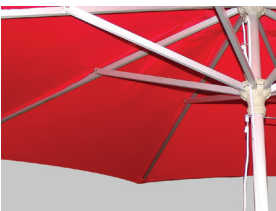
top view



side view



product finish



Umbrella fabric is mildew-resistant polypropylene olefin dyed canvas available in five colors (see right).

Pole is aluminum tubing 1½" in diameter with walls that are 1.5 mm thick. Pole has brushed finish. Box-type ribs and stretchers have a 14 x 20 mm profile. Rib length is 52" and stretcher length is 22".

Pole is assembled using a spring button connector.

