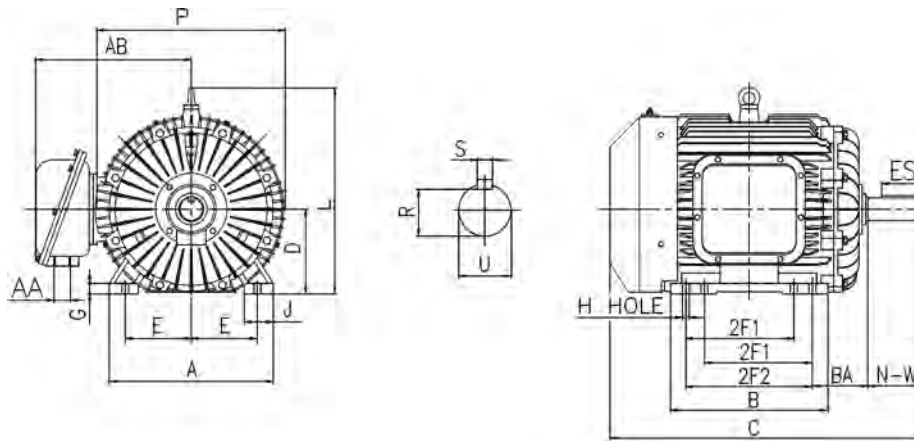


WORLDWIDE EXPLOSION PROOF MOTORS HIGH EFFICIENCY

TEXP Enclosure ▪ Rigid Base

Three-Phase ▪ 208-230/460, 460 and 575 Volt



ALL DIMENSIONS IN INCHES

Frame	E	2F1	2F2	H	BA	A	B	C	D	G	J	P	L	AB	S	ES	R	N-W	U	AA
143T	2.75	4	5	0.34	2.25	6.89	6.89	13.78	3.5	0.472	1.42	7.56	9.25	8.07	0.188	1.46	0.771	2.25	0.875	3/4
145T	2.75	4	5	0.34	2.25	6.89	6.89	13.78	3.5	0.472	1.42	7.56	9.25	8.07	0.188	1.46	0.771	2.25	0.875	3/4
182T	3.75	4.5	5.5	0.41	2.75	8.86	7.87	17.13	4.5	0.669	1.69	9.84	11.42	9.06	0.25	1.77	0.986	2.75	1.125	3/4
184T	3.75	4.5	5.5	0.41	2.75	8.86	7.87	17.13	4.5	0.669	1.69	9.84	11.42	9.06	0.25	1.77	0.986	2.75	1.125	3/4
213T	4.25	5.5	7	0.41	3.5	10.43	10.5	19.88	5.25	0.827	2.36	11.42	12.99	11.42	0.312	2.44	1.201	3.38	1.375	1
215T	4.25	5.5	7	0.41	3.5	10.43	10.5	19.88	5.25	0.827	2.36	11.42	12.99	11.42	0.312	2.44	1.201	3.38	1.375	1
254T	5	8.25	10	0.53	4.25	12.36	12.36	24.8	6.25	0.866	2.76	13.98	15.55	13.58	0.375	2.91	1.416	4	1.625	1.25
256T	5	8.25	10	0.53	4.25	12.36	12.36	24.8	6.25	0.866	2.76	13.98	15.55	13.58	0.375	2.91	1.416	4	1.625	1.25
284T	5.5	9.5	11	0.53	4.75	13.74	13.74	28.15	7	0.866	2.76	15.94	17.52	14.37	0.5	3.31	1.591	4.62	1.875	1.5
284TS	5.5	9.5	11	0.53	4.75	13.74	13.74	26.77	7	0.866	2.76	15.94	17.52	14.37	0.375	1.93	1.416	3.25	1.625	1.5
286T	5.5	9.5	11	0.53	4.75	13.74	13.74	28.15	7	0.866	2.76	15.94	17.52	14.37	0.5	3.31	1.591	4.62	1.875	1.5
286TS	5.5	9.5	11	0.53	4.75	13.74	13.74	26.77	7	0.866	2.76	15.94	17.52	14.37	0.375	1.93	1.416	3.25	1.625	1.5
324T	6.25	10.5	12	0.66	5.25	15.55	14.92	31.42	8	0.984	2.76	18.11	19.88	15.35	0.5	3.94	1.845	5.25	2.125	2
324TS	6.25	10.5	12	0.66	5.25	15.55	14.92	29.06	8	0.984	2.76	18.11	19.88	15.35	0.5	2.05	1.591	3.75	1.875	2
326T	6.25	10.5	12	0.66	5.25	15.55	14.92	31.42	8	0.984	2.76	18.11	19.88	15.35	0.5	3.94	1.845	5.25	2.125	2
326TS	6.25	10.5	12	0.66	5.25	15.55	14.92	29.06	8	0.984	2.76	18.11	19.88	15.35	0.5	2.05	1.591	3.75	1.875	2
364T	7	11.25	12.25	0.66	5.88	17.13	15.47	34.57	9	0.984	2.95	19.69	22.05	17.32	0.625	4.29	2.021	5.88	2.375	3
364TS	7	11.25	12.25	0.66	5.88	17.13	15.47	31.61	9	0.984	2.95	19.69	22.05	17.32	0.5	2.05	1.591	3.75	1.875	3
365T	7	11.25	12.25	0.66	5.88	17.13	15.47	34.57	9	0.984	2.95	19.69	22.05	17.32	0.625	4.29	2.021	5.88	2.375	3
365TS	7	11.25	12.25	0.66	5.88	17.13	15.47	31.61	9	0.984	2.95	19.69	22.05	17.32	0.5	2.05	1.591	3.75	1.875	3
404T	8	12.25	13.75	0.81	6.62	19.06	17.05	38.19	10	1.181	3.15	21.81	24.8	18.7	0.75	5.71	2.45	7.25	2.875	3
405T	8	12.25	13.75	0.81	6.62	19.06	17.05	38.19	10	1.181	3.15	21.81	24.8	18.7	0.75	5.71	2.45	7.25	2.875	3
405TS	8	12.25	13.75	0.81	6.62	19.06	17.05	34.45	10	1.181	3.15	21.81	24.8	18.7	0.5	2.83	1.845	4.25	2.125	3
444/ST	9	14.5	16.5	0.81	7.5	21.34	22	45.08	11	1.378	3.35	24.02	27.95	21.26	0.875	6.93	2.88	8.5	3.375	3
444/STS	9	14.5	16.5	0.81	7.5	21.34	22	41.34	11	1.378	3.35	24.02	27.95	21.26	0.625	3.03	2.021	4.75	2.375	3
445/7/9T	9	20	25	0.81	7.5	21.34	---	53.54	11	1.378	3.35	24.02	27.95	21.26	0.875	6.93	2.88	8.5	3.375	3
447/9T-4P	9	20	25	0.81	7.5	21.34	---	53.54	11	1.378	3.35	24.02	27.95	21.26	0.875	6.93	2.88	8.5	3.375	3
447/9T-6P	9	20	25	0.81	7.5	21.34	---	55.12	11	1.378	3.35	24.02	27.95	21.26	0.875	6.93	2.88	8.5	3.375	3
447/9TS	9	20	25	0.81	7.5	21.34	---	49.8	11	1.378	3.74	24.02	27.95	21.26	0.625	3.03	2.02	4.75	2.375	3

Dimensions shown in this catalog are for general use only.
For an exact drawing on a specific rating, please contact our sales office.