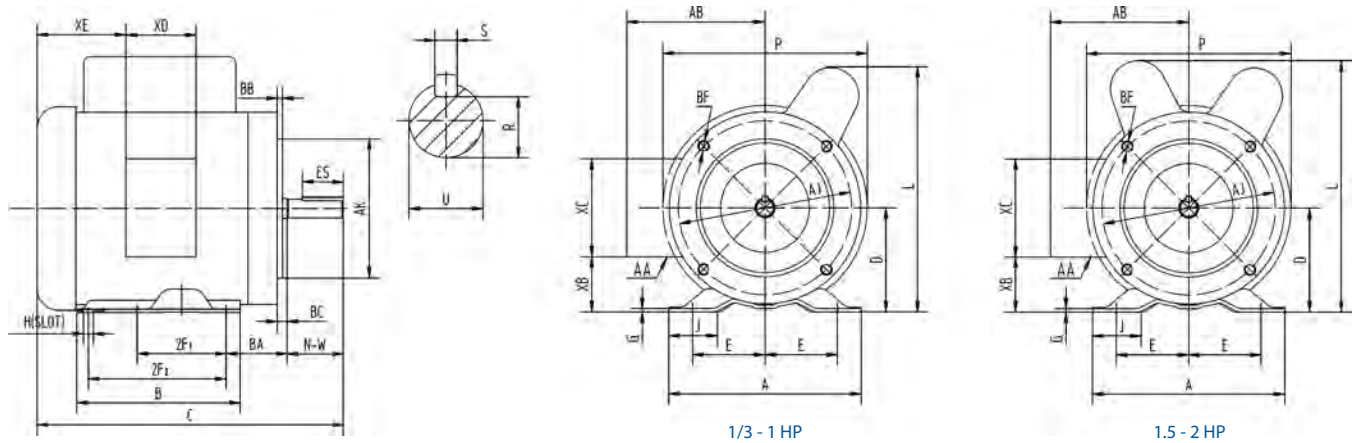


WORLDWIDE FRACTIONAL HP MOTORS

General Purpose Motors

TEFC Enclosure ▪ C-Face ▪ Removable Base
Single-Phase ▪ 115/208-230 Volt



With Manual Overload

ALL DIMENSIONS IN INCHES

| Model | S | ES | R | N-W | U | AA | BC | AK | AJ | BF | BB | XB | XC | XD | XE |
|-----------------|-------|------|-------|------|-------|-----|------|-----|-------|--------|------|------|-----|------|------|
| T13-18-56CB-OL | 0.188 | 1.41 | 0.517 | 1.88 | 0.625 | 1/2 | 0.19 | 4.5 | 5.875 | 3/8-16 | 0.16 | 1.65 | 3.7 | 3.23 | 2.85 |
| T12-18-56CB-OL | 0.188 | 1.41 | 0.517 | 1.88 | 0.625 | 1/2 | 0.19 | 4.5 | 5.875 | 3/8-16 | 0.16 | 1.65 | 3.7 | 3.23 | 2.85 |
| T34-18-56CB-OL | 0.188 | 1.41 | 0.517 | 1.88 | 0.625 | 1/2 | 0.19 | 4.5 | 5.875 | 3/8-16 | 0.16 | 1.65 | 3.7 | 3.23 | 2.85 |
| T1-18-56CB-OL | 0.188 | 1.41 | 0.517 | 1.88 | 0.625 | 1/2 | 0.19 | 4.5 | 5.875 | 3/8-16 | 0.16 | 1.65 | 3.7 | 3.23 | 2.85 |
| T1.5-18-56CB-OL | 0.188 | 1.41 | 0.517 | 1.88 | 0.625 | 1/2 | 0.19 | 4.5 | 5.875 | 3/8-16 | 0.16 | 1.65 | 3.7 | 3.23 | 2.85 |
| T2-18-56CB-OL | 0.188 | 1.41 | 0.517 | 1.88 | 0.625 | 1/2 | 0.19 | 4.5 | 5.875 | 3/8-16 | 0.16 | 1.65 | 3.7 | 3.23 | 2.85 |

Without Overload

ALL DIMENSIONS IN INCHES

| Model | S | ES | R | N-W | U | AA | BC | AK | AJ | BF | BB | XB | XC | XD | XE |
|-------------------|-------|------|-------|------|-------|-----|------|-----|-------|--------|------|------|-----|------|------|
| TJ13-36-56CB-NOL | 0.188 | 1.41 | 0.517 | 1.88 | 0.625 | 1/2 | 0.19 | 4.5 | 5.875 | 3/8-16 | 0.16 | 1.65 | 3.7 | 3.23 | 2.85 |
| T13-18-56CB | 0.188 | 1.41 | 0.517 | 1.88 | 0.625 | 1/2 | 0.19 | 4.5 | 5.875 | 3/8-16 | 0.16 | 1.65 | 3.7 | 3.23 | 2.85 |
| TJ12-36-56CB-NOL | 0.188 | 1.41 | 0.517 | 1.88 | 0.625 | 1/2 | 0.19 | 4.5 | 5.875 | 3/8-16 | 0.16 | 1.65 | 3.7 | 3.23 | 2.85 |
| T12-18-56CB | 0.188 | 1.41 | 0.517 | 1.88 | 0.625 | 1/2 | 0.19 | 4.5 | 5.875 | 3/8-16 | 0.16 | 1.65 | 3.7 | 3.23 | 2.85 |
| TJ34-36-56CB-NOL | 0.188 | 1.41 | 0.517 | 1.88 | 0.625 | 1/2 | 0.19 | 4.5 | 5.875 | 3/8-16 | 0.16 | 1.65 | 3.7 | 3.23 | 2.85 |
| T34-18-56CB | 0.188 | 1.41 | 0.517 | 1.88 | 0.625 | 1/2 | 0.19 | 4.5 | 5.875 | 3/8-16 | 0.16 | 1.65 | 3.7 | 3.23 | 2.85 |
| TJ1-36-56CB-NOL | 0.188 | 1.41 | 0.517 | 1.88 | 0.625 | 1/2 | 0.19 | 4.5 | 5.875 | 3/8-16 | 0.16 | 1.65 | 3.7 | 3.23 | 2.85 |
| T1-18-56CB | 0.188 | 1.41 | 0.517 | 1.88 | 0.625 | 1/2 | 0.19 | 4.5 | 5.875 | 3/8-16 | 0.16 | 1.65 | 3.7 | 3.23 | 2.85 |
| TJ1.5-36-56CB-NOL | 0.188 | 1.41 | 0.517 | 1.88 | 0.625 | 1/2 | 0.19 | 4.5 | 5.875 | 3/8-16 | 0.16 | 1.65 | 3.7 | 3.23 | 2.85 |
| T1.5-18-56CB | 0.188 | 1.41 | 0.517 | 1.88 | 0.625 | 1/2 | 0.19 | 4.5 | 5.875 | 3/8-16 | 0.16 | 1.65 | 3.7 | 3.23 | 2.85 |
| TJ2-18-56CB-NOL | 0.188 | 1.41 | 0.517 | 1.88 | 0.625 | 1/2 | 0.19 | 4.5 | 5.875 | 3/8-16 | 0.16 | 1.65 | 3.7 | 3.23 | 2.85 |
| T2-18-56CB | 0.188 | 1.41 | 0.517 | 1.88 | 0.625 | 1/2 | 0.19 | 4.5 | 5.875 | 3/8-16 | 0.16 | 1.65 | 3.7 | 3.23 | 2.85 |

Dimensions shown in this catalog are for general use only.
For an exact drawing on a specific rating, please contact our sales office.

