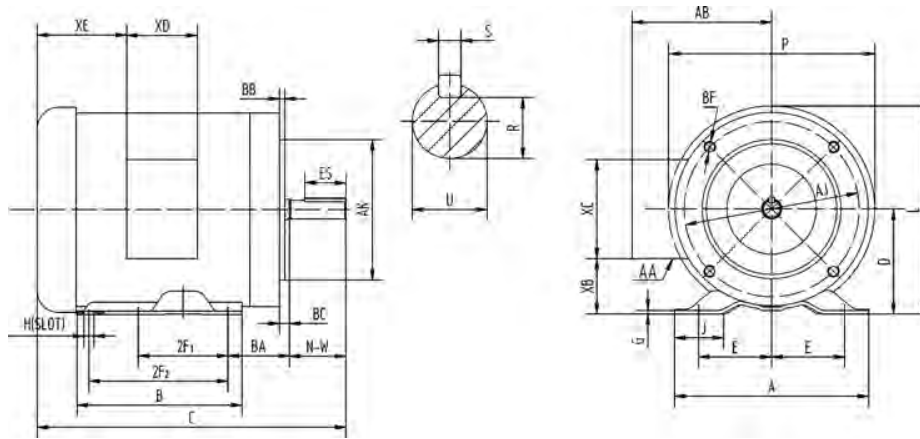


# WORLDWIDE FRACTIONAL HP MOTORS

## General Purpose Motors

TEFC Enclosure ▪ C-Face ▪ Removable Base  
Three-Phase ▪ 208-230/460 and 575 Volt



### 208-230/460 Volt

ALL DIMENSIONS IN INCHES

Model	E	2F1	2F2	H	BA	A	B	C	D	G	J	P	L	AB
ATJ13-36-56CB	2.44	3	5	0.34	2.75	6.5	6.5	12.2	3.5	0.12	1.73	6.9	7	5.35
AT13-18-56CB	2.44	3	5	0.34	2.75	6.5	6.5	12.2	3.5	0.12	1.73	6.9	7	5.35
ATJ12-36-56CB	2.44	3	5	0.34	2.75	6.5	6.5	12.2	3.5	0.12	1.73	6.9	7	5.35
AT12-18-56CB	2.44	3	5	0.34	2.75	6.5	6.5	12.2	3.5	0.12	1.73	6.9	7	5.35
ATJ34-36-56CB	2.44	3	5	0.34	2.75	6.5	6.5	12.2	3.5	0.12	1.73	6.9	7	5.35
AT34-18-56CB	2.44	3	5	0.34	2.75	6.5	6.5	12.2	3.5	0.12	1.73	6.9	7	5.35
ATJ1-36-56CB	2.44	3	5	0.34	2.75	6.5	6.5	12.2	3.5	0.12	1.73	6.9	7	5.35
AT1-18-56CB	2.44	3	5	0.34	2.75	6.5	6.5	12.2	3.5	0.12	1.73	6.9	7	5.35
ATJ1.5-36-56CB	2.44	3	5	0.34	2.75	6.5	6.5	12.2	3.5	0.12	1.73	6.9	7	5.35
AT1.5-18-56CB	2.44	3	5	0.34	2.75	6.5	6.5	12.6	3.5	0.12	1.73	6.9	7	5.35
ATJ2-36-56CB	2.44	3	5	0.34	2.75	6.5	6.5	12.4	3.5	0.12	1.73	6.9	7	5.35
AT2-18-56CB	2.44	3	5	0.34	2.75	6.5	6.5	13.8	3.5	0.12	1.73	6.9	7	5.35

### 575 Volt

ALL DIMENSIONS IN INCHES

Model	E	2F1	2F2	H	BA	A	B	C	D	G	J	P	L	AB
ATJ13-18-575-56CB	2.44	3	5	0.34	2.75	6.5	6.5	12.2	3.5	0.12	1.73	6.9	7	5.35
AT12-18-575-56CB	2.44	3	5	0.34	2.75	6.5	6.5	12.2	3.5	0.12	1.73	6.9	7	5.35
AT34-18-575-56CB	2.44	3	5	0.34	2.75	6.5	6.5	12.2	3.5	0.12	1.73	6.9	7	5.35
AT1-18-575-56CB	2.44	3	5	0.34	2.75	6.5	6.5	12.2	3.5	0.12	1.73	6.9	7	5.35
AT1.5-18-575-56CB	2.44	3	5	0.34	2.75	6.5	6.5	12.6	3.5	0.12	1.73	6.9	7	5.35
AT2-18-575-56CB	2.44	3	5	0.34	2.75	6.5	6.5	13.8	3.5	0.12	1.73	6.9	7	5.35

Dimensions shown in this catalog are for general use only.  
For an exact drawing on a specific rating, please contact our sales office.

Continued On Next Page

