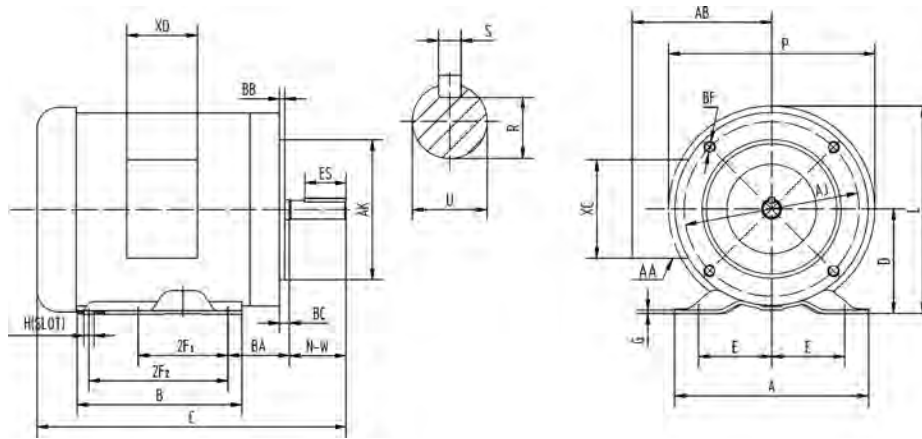
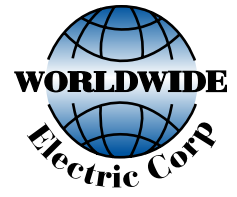


WORLDWIDE FRACTIONAL HP MOTORS

Stainless Steel / Washdown Duty Motors

TEFC Enclosure ▪ C-Face ▪ Rigid Base and Round Body
Three-Phase ▪ 208-230/460 Volt



Rigid Base

ALL DIMENSIONS IN INCHES

Model	E	2F1	2F2	H	BA	A	B	C	D	G	P	L	AB
WSS13-18-56CB	2.44	3	5	0.34	2.75	6.5	6.5	11.59	3.5	0.12	8.5	6.5	5.75
WSS12-36-56CB	2.44	3	5	0.34	2.75	6.5	6.5	11.59	3.5	0.12	8.5	6.5	5.75
WSS12-18-56CB	2.44	3	5	0.34	2.75	6.5	6.5	11.59	3.5	0.12	8.5	6.5	5.75
WSS34-36-56CB	2.44	3	5	0.34	2.75	6.5	6.5	12.57	3.5	0.12	8.5	6.5	5.75
WSS34-18-56CB	2.44	3	5	0.34	2.75	6.5	6.5	12.57	3.5	0.12	8.5	6.5	5.75
WSS1-36-56CB	2.44	3	5	0.34	2.75	6.5	6.5	12.57	3.5	0.12	8.5	6.5	5.75
WSS1-18-56CB	2.44	3	5	0.34	2.75	6.5	6.5	12.57	3.5	0.12	8.5	6.5	5.75
WSS1.5-36-56CB	2.44	3	5	0.34	2.75	6.5	6.5	12.57	3.5	0.12	8.5	6.5	5.75
WSS1.5-18-56CB	2.44	3	5	0.34	2.75	6.5	6.5	12.57	3.5	0.12	8.5	6.5	5.75
WSS2-36-56CB	2.44	3	5	0.34	2.75	6.5	6.5	12.57	3.5	0.12	8.5	6.5	5.75
WSS2-18-56CB	2.44	3	5	0.34	2.75	6.5	6.5	12.57	3.5	0.12	8.5	6.5	5.75

Round Body

ALL DIMENSIONS IN INCHES

Model	E	2F1	2F2	H	BA	A	B	C	D	G	P	L	AB
WSS13-18-56CRD	---	---	---	---	---	---	---	11.59	---	---	8.5	---	5.75
WSS12-18-56CRD	---	---	---	---	---	---	---	11.59	---	---	8.5	---	5.75
WSS34-18-56CRD	---	---	---	---	---	---	---	12.57	---	---	8.5	---	5.75
WSS1-18-56CRD	---	---	---	---	---	---	---	12.57	---	---	8.5	---	5.75
WSS1.5-18-56CRD	---	---	---	---	---	---	---	12.57	---	---	8.5	---	5.75
WSS2-18-56CRD	---	---	---	---	---	---	---	12.57	---	---	8.5	---	5.75

Dimensions shown in this catalog are for general use only.
For an exact drawing on a specific rating, please contact our sales office.

Continued On Next Page

