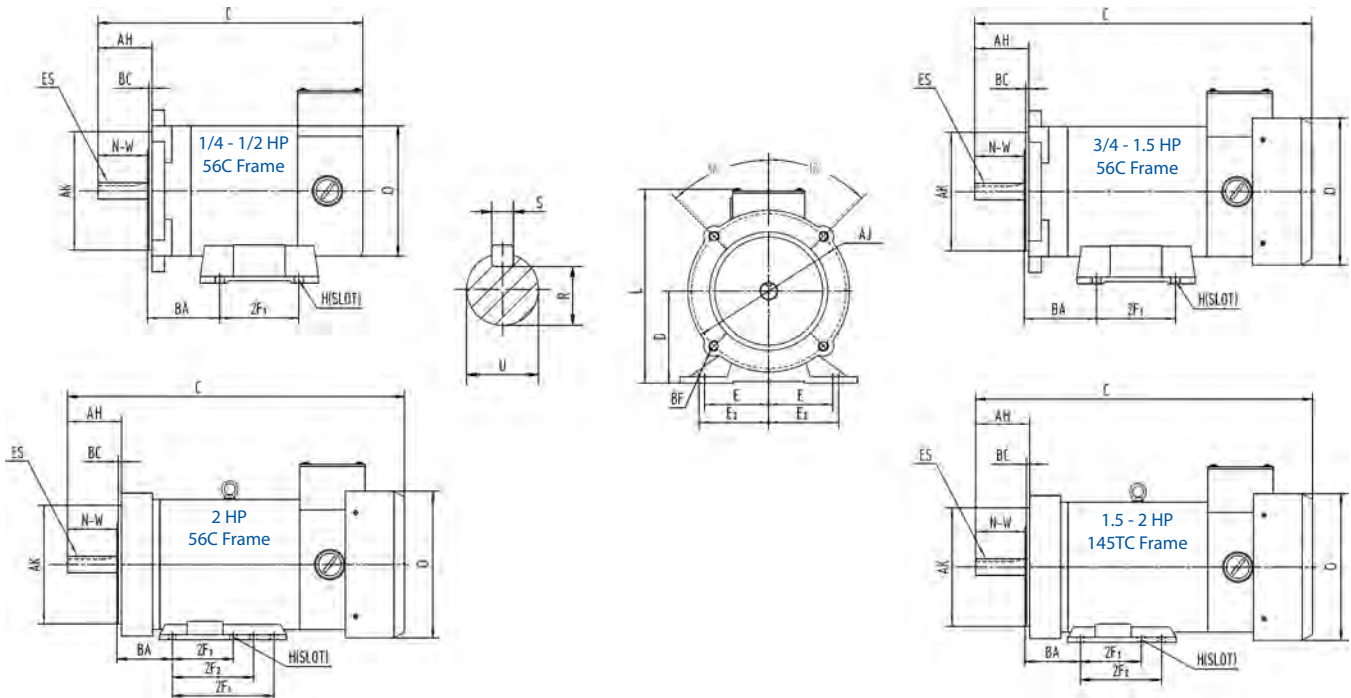


# WORLDWIDE FRACTIONAL HP MOTORS

## Permanent Magnet DC Motors

TENV / TEFC Enclosure ■ C-Face ■ Removable Base  
90, 180, 12 and 24 Volt



DIMENSIONS

### 90 Volt and 180 Volt

ALL DIMENSIONS IN INCHES

Model	E	E2	2F1	2F2	2F3	H	BA	C	D	L	O	S	ES	R	N-W	U	BC	AH	AK	AJ	BF
WPMDC14-18-90V-56CB	2.44	---	3	---	---	0.34	2.75	10.06	3.5	7.63	4.94	0.188	1.41	0.517	1.88	0.625	0.12	2.06	4.5	5.875	3/8-16
WPMDC13-18-90V-56CB	2.44	---	3	---	---	0.34	2.75	10.06	3.5	7.63	4.94	0.188	1.41	0.517	1.88	0.625	0.12	2.06	4.5	5.875	3/8-16
WPMDC13-18-180V-56CB	2.44	---	3	---	---	0.34	2.75	10.06	3.5	7.63	4.94	0.188	1.41	0.517	1.88	0.625	0.12	2.06	4.5	5.875	3/8-16
WPMDC12-18-90V-56CB	2.44	---	3	---	---	0.34	2.75	10.94	3.5	7.63	4.94	0.188	1.41	0.517	1.88	0.625	0.12	2.06	4.5	5.875	3/8-16
WPMDC12-18-180V-56CB	2.44	---	3	---	---	0.34	2.75	10.94	3.5	7.63	4.94	0.188	1.41	0.517	1.88	0.625	0.12	2.06	4.5	5.875	3/8-16
WPMDC34-18-90V-56CB	2.44	---	3	---	---	0.34	2.75	13.51	3.5	7.63	5.57	0.188	1.41	0.517	1.88	0.625	0.12	2.06	4.5	5.875	3/8-16
WPMDC34-18-180V-56CB	2.44	---	3	---	---	0.34	2.75	13.51	3.5	7.63	5.57	0.188	1.41	0.517	1.88	0.625	0.12	2.06	4.5	5.875	3/8-16
WPMDC1-18-90V-56CB	2.44	---	3	---	---	0.34	2.75	14.3	3.5	7.63	5.57	0.188	1.41	0.517	1.88	0.625	0.12	2.06	4.5	5.875	3/8-16
WPMDC1-18-180V-56CB	2.44	---	3	---	---	0.34	2.75	14.3	3.5	7.63	5.57	0.188	1.41	0.517	1.88	0.625	0.12	2.06	4.5	5.875	3/8-16
WPMDC1.5-18-90V-56CB	2.44	---	3	---	---	0.34	2.75	16.45	3.5	7.63	5.57	0.188	1.41	0.517	1.88	0.625	0.12	2.06	4.5	5.875	3/8-16
WPMDC1.5-18-180V-56CB	2.44	---	3	---	---	0.34	2.75	16.45	3.5	7.63	5.57	0.188	1.41	0.517	1.88	0.625	0.12	2.06	4.5	5.875	3/8-16
WPMDC1.5-18-180V-145TCB	2.75	---	4	5	---	0.34	2.75	15.87	3.5	7.85	6.87	0.188	1.41	0.771	2.25	0.875	0.12	2.12	4.5	5.875	3/8-16
WPMDC2-18-180V-56CB	2.44	2.75	3	4	5	0.34	2.75	16.81	3.5	7.63	6.87	0.188	1.41	0.517	1.88	0.625	0.12	2.06	4.5	5.875	3/8-16
WPMDC2-18-180V-145TCB	2.75	---	4	5	---	0.34	2.75	16.87	3.5	7.85	6.87	0.188	1.41	0.771	2.25	0.875	0.12	2.12	4.5	5.875	3/8-16

Dimensions shown in this catalog are for general use only.  
For an exact drawing on a specific rating, please contact our sales office.

Continued On Next Page

