

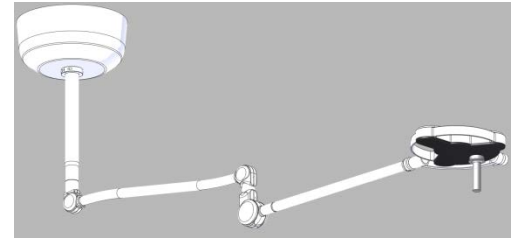
Dmed® triango 30 C

TECHNICAL DATA

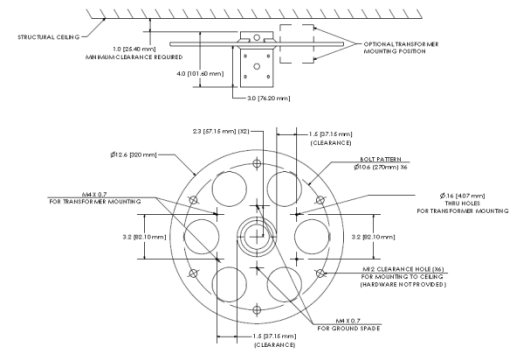
TREATMENT LIGHTS

FITTED WITH	1 x LED lamp
LUMINOUS POWER	55 000 Lux / 1.0 m
ILLUMINANCE FIELD 1.0 M	Ø 16 cm (6.3 inches)
COLOR RENDERING INDEX (CRI)	>95
COLOR TEMPERATURE	approx. 4500 K
WORK EQUIPMENT	electronic converter
CONNECTED LOAD	100-240 V, 50/60 Hz
APPROVAL	ETL/cETL
LUMINAIRE MATERIALS	head - polycarbonate & acrylonitrile butadiene styrene copolymer (PC & ABS); arm - metal
POWER CONSUMPTION	approx. 30 W
USAGE	rotary dimmer switch on the luminaire head
TECHNOLOGY	continuously dimmable
WEIGHT	18kg (40 lbs)

CLASS OF PROTECTION	I
ACCESSORY (optional)	mounting ring, transformer relocation kit
NORMS	EN 60601-1, EN 60601-2-41, EN 60601-1-2
SPECIAL FEATURES	sterilizable handle included
FASTENING	ceiling mount to structural ceiling, tube can be field cut to length (150 - 500 mm)
SYSTEM OF PROTECTION	IP 43
ORDER NUMBER	D15170110 - pure white



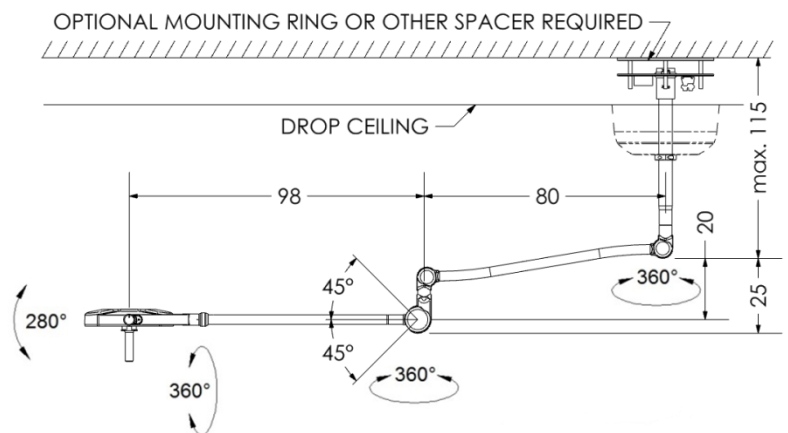
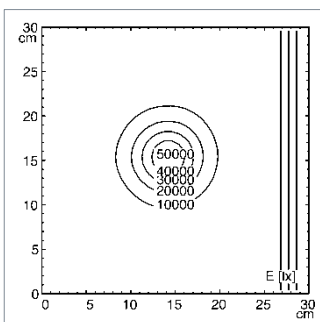
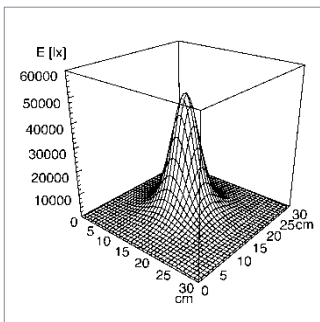
triango 30 C



mounting

LIGHT DISTRIBUTION

TECHNICAL DRAWING



Dimensions in centimeters