

**T&S BRASS AND BRONZE WORKS, INC.**

2 Saddleback Cove / P.O. Box 1088  
Travelers Rest, SC 29690

Model No.

**B-2338**

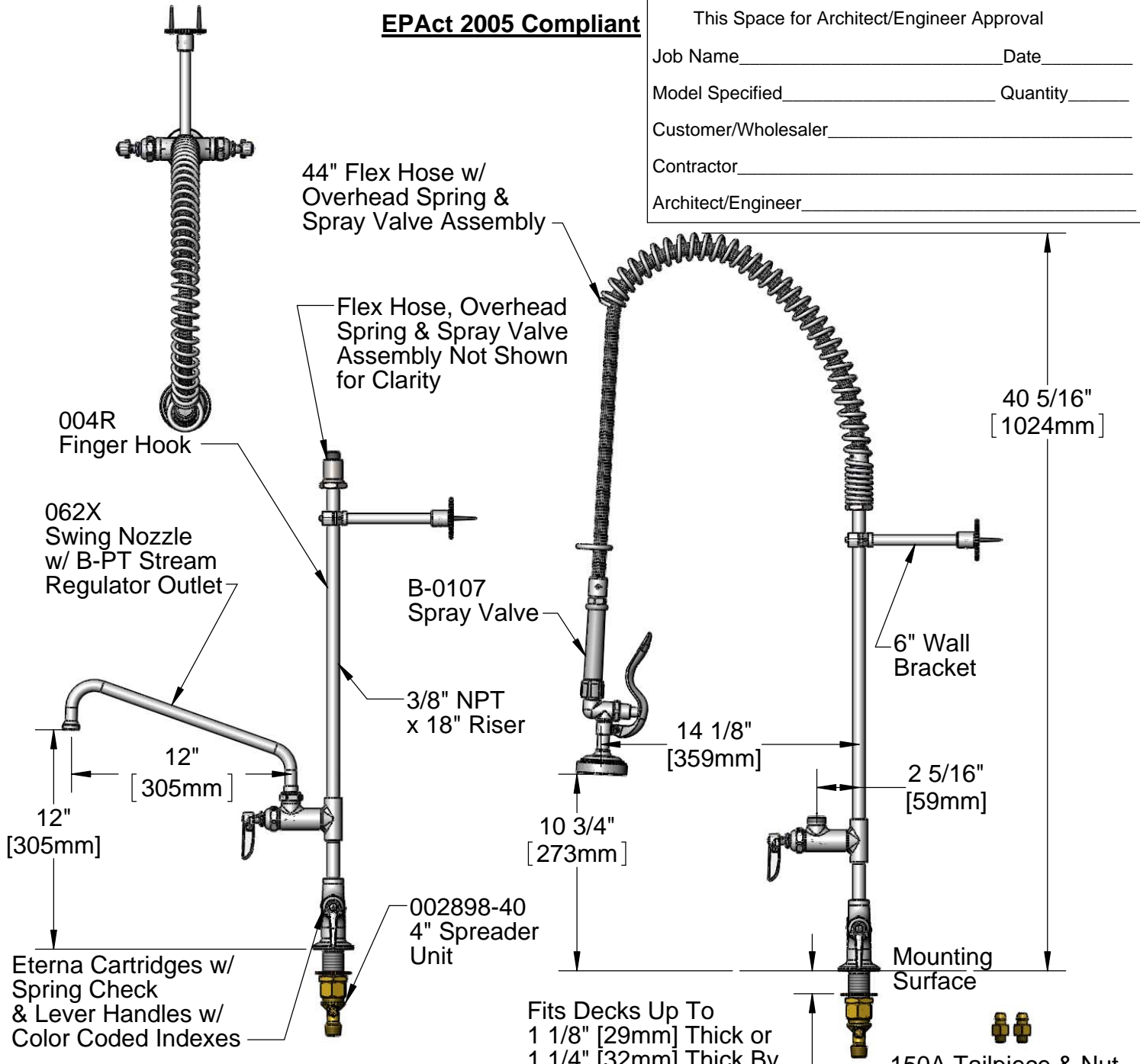
Item No.

Travelers Rest, SC: 800-476-4103 • Simi Valley, CA: 800-423-0150 • Fax: 864-834-3518 • www.tsbrass.com

**EPAct 2005 Compliant**

This Space for Architect/Engineer Approval

Job Name \_\_\_\_\_ Date \_\_\_\_\_  
 Model Specified \_\_\_\_\_ Quantity \_\_\_\_\_  
 Customer/Wholesaler \_\_\_\_\_  
 Contractor \_\_\_\_\_  
 Architect/Engineer \_\_\_\_\_



**Note: Rough-In Requirement**  
 Ø 1 1/2" [Ø 38mm] Hole  
 (Ø 1 1/4" [Ø 32mm] Minimum)

Product Specifications:  
 EasyInstall Pre-Rinse Unit:  
 Single Deck Mount Base Mixing Faucet, Overhead Spring, 44" Flex Hose, B-0107 Spray Valve, & 6" Wall Bracket

|        |          |          |
|--------|----------|----------|
| Drawn  | Checked  | Approved |
| JRM    | KJG      | JHB      |
| Scale: | Date:    |          |
| 1:8    | 03/30/12 |          |



# T&S BRASS AND BRONZE WORKS, INC.

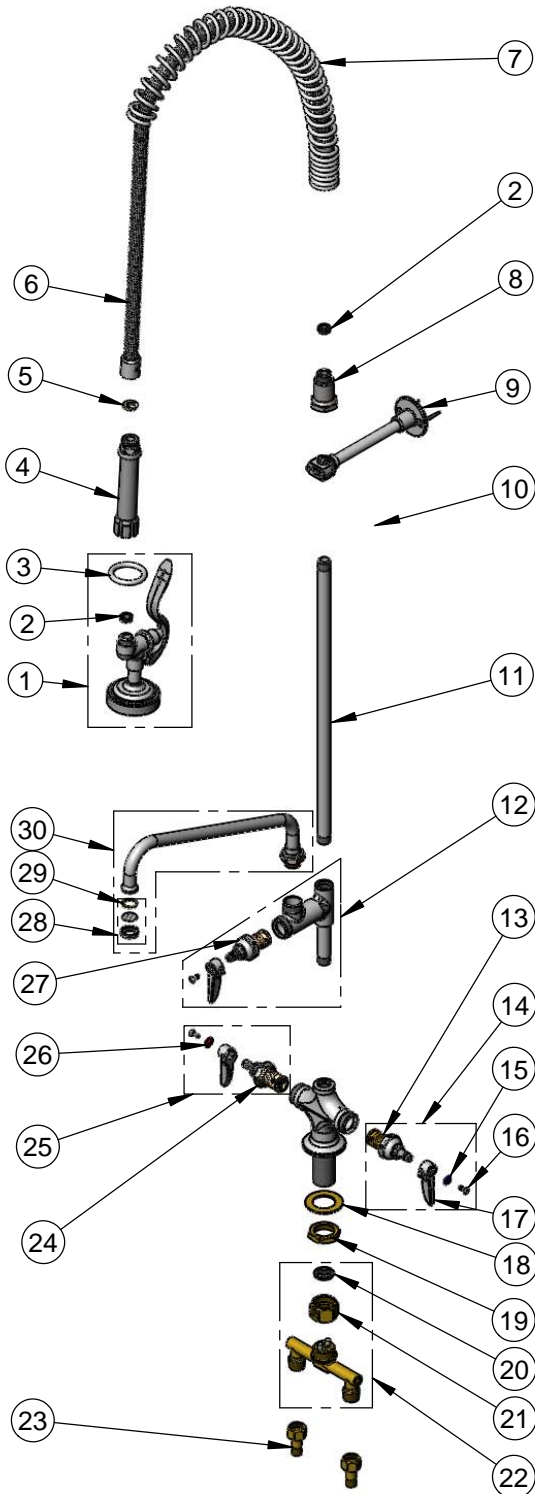
2 Saddleback Cove / P.O. Box 1088  
Travelers Rest, SC 29690

Model No.

**B-2338**

Item No.

Travelers Rest, SC: 800-476-4103 • Simi Valley, CA: 800-423-0150 • Fax: 864-834-3518 • www.tsbrass.com



| ITEM NO. | SALES NO.  | DESCRIPTION  |
|----------|------------|--|
| 1        | B-0107     | Grey Spray Valve   |
| 2        | 010476-45  | #27 Washer   |
| 3        | 000907-45  | Spray Valve Hold Down Ring                                     |
| 4        | 002987-40  | Handle Grip  |
| 5        | 001014-45  | Washer, B-0100 Hose Barrel                                     |
| 6        | B-0044-H2A | SS Flex Hose   |
| 7        | 000888-45  | EasyInstall Overhead Spring                                    |
| 8        | 000821-40  | Spring Body  |
| 9        | B-0109-01  | 6" Wall Bracket  |
| 10       | 004R       | Finger Hook Assembly   |
| 11       | 000369-40  | 3/8" NPT x 18" Riser   |
| 12       | B-0155-LN  | B-0155 Add-On Faucet Body                                      |
| 13       | 012442-40  | Eterna Cartridge (LTC) w/ Spring Check                         |
| 14       | 002711-40  | Eterna Cartridge (LTC) w/ Spring Check, Handle, Index, & Screw |
| 15       | 001660-45  | Blue Index-CW  |
| 16       | 000922-45  | Lever Handle Screw   |
| 17       | 001638-45  | Lever Handle   |
| 18       | 002290-45  | Lock Washer  |
| 19       | 000965-45  | Lock Nut   |
| 20       | 001041-45  | Spreader Washer  |
| 21       | 000736-20  | Spreader Coupler Nut   |
| 22       | 002898-40  | 4" Spreader Unit   |
| 23       | 150A       | 1/4" NPT Tailpiece   |
| 24       | 012443-40  | Eterna Cartridge (RTC) w/ Spring Check                         |
| 25       | 002712-40  | Eterna Cartridge (RTC) w/ Spring Check, Handle, Index, & Screw |
| 26       | 001661-45  | Red Index-HW   |
| 27       | 007947-40  | Quarter Turn Eterna Cartridge                                  |
| 28       | B-PT       | Stream Regulator Outlet  |
| 29       | 001048-45  | Nozzle Tip Washer  |
| 30       | 062X       | 12" Swing Nozzle   |

**Product Specifications:**

EasyInstall Pre-Rinse Unit:  
Single Deck Mount Base Mixing Faucet, Overhead  
Spring, 44" Flex Hose, B-0107 Spray Valve, & 6" Wall Bracket

Drawn

JRM

Checked

KJG

Approved

JHB

Scale:

NTS

Date:

03/30/12