

BALDOR

BALDOR® • RELIANCE

Product Information Packet

EM3661T-8

3HP,1760RPM,3PH,60HZ,182T,0628M,TEFC,F1

Part Detail									
Revision:	Q	Status:	PRD/A	Change #:		Proprietary:	No		
Type:	AC	Prod. Type:	0628M	Elec. Spec:	06WGW371	CD Diagram:			
Enclosure:	TEFC	Mfg Plant:		Mech. Spec:	06H002	Layout:			
Frame:	182T	Mounting:	F1	Poles:	04	Created Date:			
Base:	RG	Rotation:	R	Insulation:	F	Eff. Date:	05-03-2010		
Leads:	3#16	Literature:		Elec. Diagram:		Replaced By:			
Nameplate NP1259L									
CAT.NO.	EM3661T-8								
SPEC.	06H002W371								
HP	3								
VOLTS	200								
AMP	9.1								
RPM	1760								
FRAME	182T	HZ			60	PH	3		
SER.F.	1.15	CODE			H	DES	B	CL	F
NEMA-NOM-EFF	89.5	PF			80				
RATING	40C AMB-CONT								
CC				USABLE AT 208V		9.1			
DE	6206	ODE			6205				
ENCL	TEFC	SN							

Parts List		
Part Number	Description	Quantity
SA020273	SA 06H002W371	1.000 EA
RA016326	RA 06H002W371	1.000 EA
S/P107-000-001	SUPER E PROC'S-FS & WS PLTS-POLYREX EM G	1.000 EA
HW3201A05	3/8-16 EYEBOLT	1.000 EA
06CB3000	CONDUIT BOX CAST	1.000 EA
06GS1000	GASKET, CONDUIT BOX	1.000 EA
51XW2520A12	.25-20 X .75, TAPTITE II, HEX WSHR SLTD	2.000 EA
11XW1032G06	10-32 X .38, TAPTITE II, HEX WSHR SLTD U	1.000 EA
HW3001B01	BRASS CUP WASHER, FOR #8 SCREW	1.000 EA
36EP1101A21	FR ENDPLATE, MACH 184T	1.000 EA
HW4500A01	1641B(ALEMITE)400 UNIV, GREASE FITT	1.000 EA
HW4500A17	317400 ALEMITE GREASE RELIEF	1.000 EA
HW5100A05	WVY WSHR F/205 & 304 BRGS	1.000 EA
36EP1100A07	PU ENDPLATE MACH W/GREASER & RELIEF	1.000 EA
HW4500A01	1641B(ALEMITE)400 UNIV, GREASE FITT	1.000 EA
HW4500A17	317400 ALEMITE GREASE RELIEF	1.000 EA
HA3101A53	THRUBOLT 1/4-20 X 10.50	4.000 EA
XY2520A12	1/4-20 HEX NUT, DIRECTIONAL SERRATIONS	4.000 EA
36FH4009A31	IEC FH W/GREASER & SPL NOTCH, W/ AUTOPHE	1.000 EA
51XW1032A06	10-32 X .38, TAPTITE II, HEX WSHR SLTD S	3.000 EA
06CB3500	CONDUIT BOX LID - ALUMINUM DIE CAST	1.000 EA
06GS1001	GASKET, CONDUIT BOX LID	1.000 EA
51XW2520A12	.25-20 X .75, TAPTITE II, HEX WSHR SLTD	2.000 EA
HW2501E16	KEY, 1/4 SQ X 1.750	1.000 EA

Parts List (continued)		
Part Number	Description	Quantity
HA7000A02	KEY RETAINER RING, 1 1/8 DIA, 1 3/8 DIA	1.000 EA
LB1115	LABEL,LIFTING DEVICE	1.000 EA
85XU0407S04	4X1/4 U DRIVE PIN STAINLESS	2.000 EA
MJ1000A02	GREASE, POLYREX EM EXXON	0.050 LB
35FN3002A04SP	EXFN, PLASTIC, 6.376 OD, .906 ID W/KEY	1.000 EA
51XB1214A16	12-14X1.00 HXWSSLD SERTYB	1.000 EA
MG1000Y03	WILKO 689.710 GOLD PAINT SUPER E	0.028 GA
LB1119	WARNING LABEL	1.000 EA
LB1125C02	SUPER-E (STOCK CTN LABEL SUPER-E WITH FL	1.000 EA
NP1259L	SUPER E, ALUM, UL CSA CC, W/O THERMAL,	1.000 EA
LC0006	CONNECTION LABEL	1.000 EA
36PA1001	PACKAGING GROUP	1.000 EA
LB1357	ENERGY GUIDE LABEL (BOX LABEL)	1.000 SH

Accessories		
Part Number	Description	Multiplier
36-1749	C FACE KIT	A8

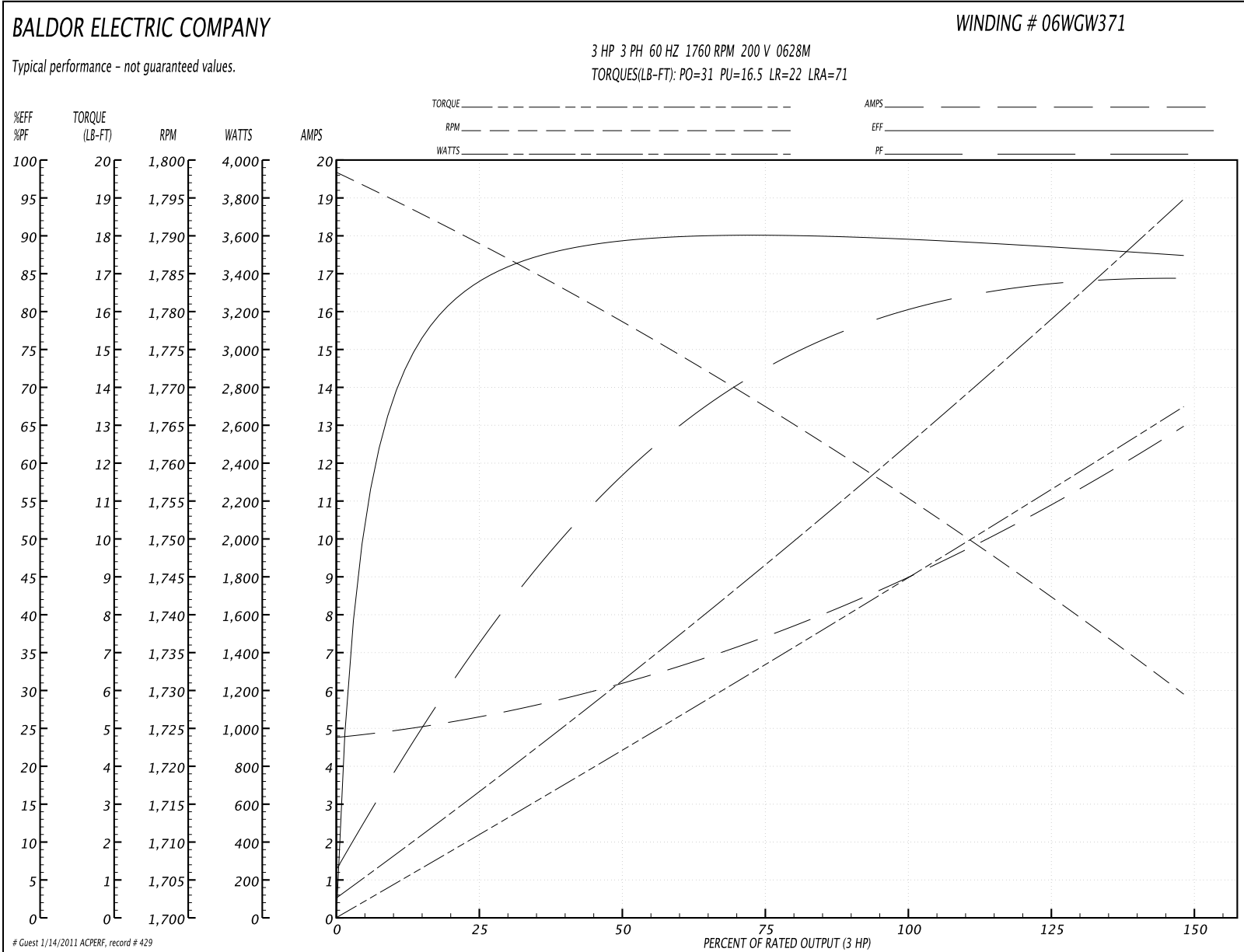
Performance Data at 200V, 60Hz, 3.0HP (Typical performance - Not guaranteed values)
General Characteristics

Full Load Torque:	9.0 LB-FT	Start Configuration:	DOL
No-Load Current:	4.9 Amps	Break-Down Torque:	31.0 LB-FT
Line-line Res. @ 25°C.:	0.743 Ohms A Ph / 0.0 Ohms B Ph	Pull-Up Torque:	16.5 LB-FT
Temp. Rise @ Rated Load:	41 C	Locked-Rotor Torque:	22.0 LB-FT
Temp. Rise @ S.F. Load:	50 C	Starting Current:	71.0 Amps

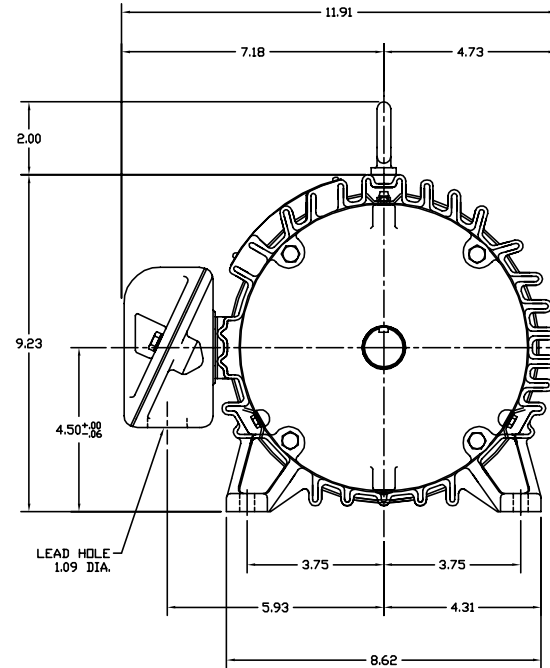
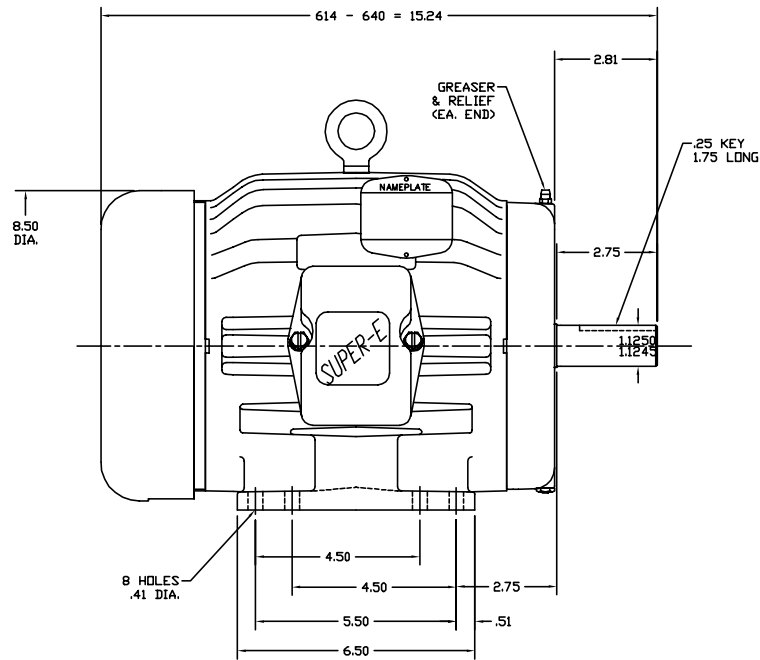
Load Characteristics

% of Rated Load	25	50	75	100	125	150	S.F.
Power Factor:	37.0	58.0	71.0	77.0	81.0	83.0	79.0
Efficiency:	84.0	89.1	90.0	89.7	88.7	87.3	89.1
Speed:	1788.0	1778.0	1767.0	1756.0	1743.0	1729.0	1748.0
Line Amperes:	5.1	6.2	7.5	9.1	10.9	12.9	10.2

Performance Graph at 200V, 60Hz, 3.0HP Typical performance - Not guaranteed values



06LYH002



CUSTOMER IS RESPONSIBLE FOR DETERMINING THAT MOTOR PERFORMANCE IS SUITABLE IN THE APPLICATION.

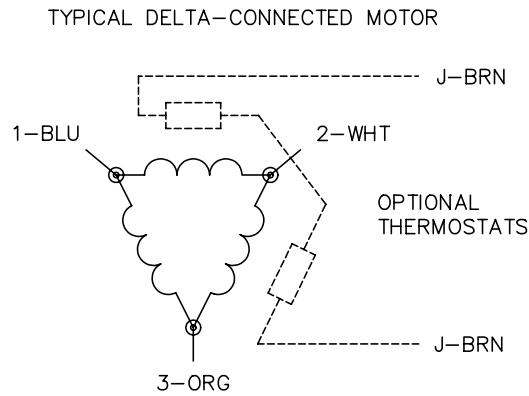
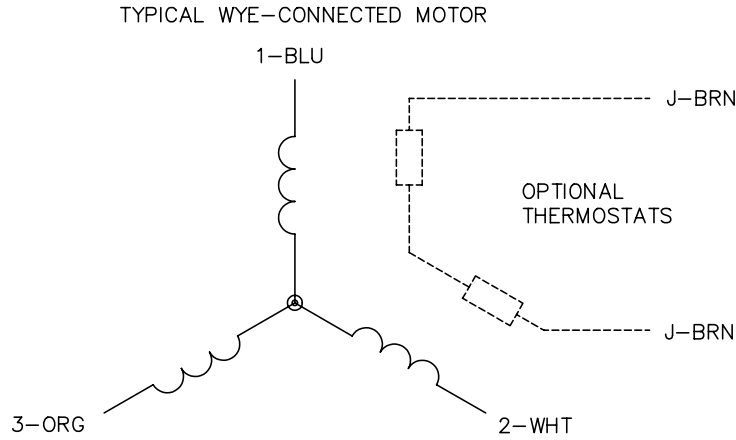
REV. DESC: OMITTED LB1098 LEADER			
REV. LTR: K	BY: SSS	REVISED: 15: 54: 03 08/22/2001	TDR: 247831
FILE: AAA00014115		REF: 06LYH002	
MTL: -			

BALDOR ELECTRIC Co.

HDRZ 182-4T TEFC 306M

06LYH002

CD0006



NOTES:

1. THREE LEAD MOTOR MAY BE EITHER WYE CONNECTED OR DELTA CONNECTED.
2. INTERCHANGE ANY TWO LINE LEADS TO REVERSE ROTATION.
3. OPTIONAL THERMOSTATS ARE PROVIDED WHEN SPECIFIED.
4. ACTUAL NUMBER OF INTERNAL PARALLEL CIRCUITS MAY VARY.
5. LEAD COLORS ARE OPTIONAL. LEADS MUST BE NUMBERED AS SHOWN.

REV. DESC: REVISE TO SHOW OPTIONAL COLORS			
REV. LTR: D	BY: JLP	REVISED: 01/21/99 4:02	TDR: 0171435
9000D		FILE: AAA00005141	MDL: -
		MTL: -	

BALDOR ELECTRIC Co.

3PH, SV, 3 LEADS, WYE OR DELTA CONNECTED

CD0006