



BESTAR

www.bestar.ca

INNOVA

**THE INNOVA COLLECTION CONJUGATES WORKING AND LIVING
WITH STYLE, SHOWING CURVES AND A TWO-TONE FINISH.**

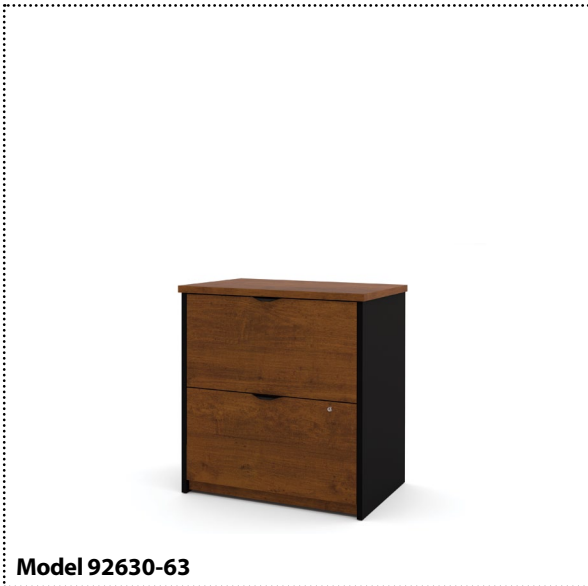
THIS COLLECTION OFFERS VARIOUS STORAGE POSSIBILITIES WITH GREAT PAPER MANAGEMENT, AS WELL AS OPEN
AND CLOSED COMPARTMENTS FOR AN ORGANIZED WORK ENVIRONMENT.



BLACK &
TUSCANY BROWN
Finish



Model 92420-63



Model 92630-63



- Durable 1" (2.5 cm) commercial-grade work surfaces.
- Melamine finish that resists scratches, stains and wears.
- One utility drawer and one file drawer which allows for letter/legal filling system.
- One lock secures both drawers of the pedestal and the lateral file to ensure confidentiality.



BESTAR

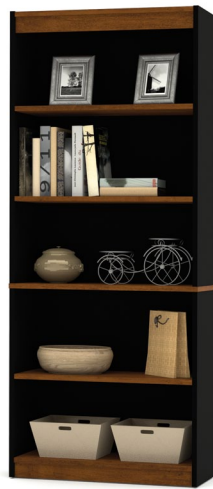
www.bestar.ca

Order desk and Customer Service: 1-888-8bestar (1 888 823-7827)

BLACK &
TUSCANY BROWN
Finish



Model 92850-63



Model 92700-63



- The hutch offers many storage solutions with paper management shelves, as well as open and closed compartments.
- File drawer and keyboard shelf are mounted on ball-bearing slides for a smooth and quiet operation.
- Efficient wire-management system with flexible strip under the hutch.
- Finished back and fully reversible to fit in any room.



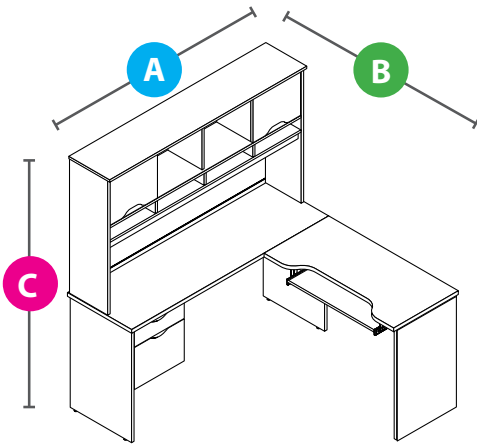
ORDER DESK AND CUSTOMER SERVICE

1-888-8BESTAR (1 888 823-7827) WWW.BESTAR.CA

ALL FURNITURE IN THIS COLLECTION IS COVERED

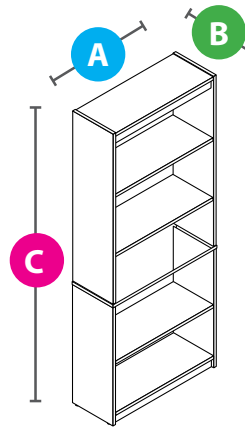
WITH A 10-YEAR WARRANTY USA & CANADA

DUE TO THE CONTINUOUS PRODUCT IMPROVEMENT, AVAILABILITY OF THE PRODUCT OR ITS SPECIFICATIONS ARE SUBJECT TO CHANGE WITHOUT NOTICE. SEE CURRENT PRICE LIST OR CONTACT THE ORDER DESK FOR MORE DETAILS. DUE TO THE PRINTING PROCESS, THE COLORS PRESENTED IN THIS BROCHURE MAY DIFFER SLIGHTLY FROM THE ACTUAL COLORS.



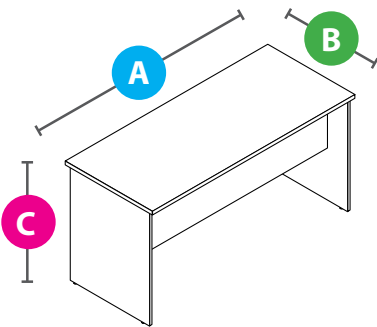
**Model 92420
L-Shaped Desk**

- A** 59 13/16" - 1520 mm
- B** 59" - 1498 mm
- C** 66 7/16" - 1687 mm



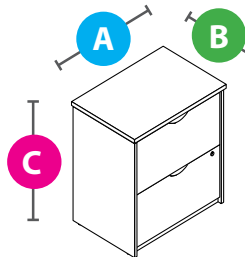
**Model 92700
Bookcase**

- A** 29 1/2" - 750 mm
- B** 11 5/8" - 296 mm
- C** 72" - 1828 mm



**Model 92800
Free-standing Table**

- A** 59 13/16" - 1520 mm
- B** 25 15/16" - 658 mm
- C** 30 3/8" - 771 mm



**Model 92630
Lateral File**

- A** 28 3/8" - 720 mm
- B** 19 5/8" - 498 mm
- C** 30 3/8" - 771 mm

