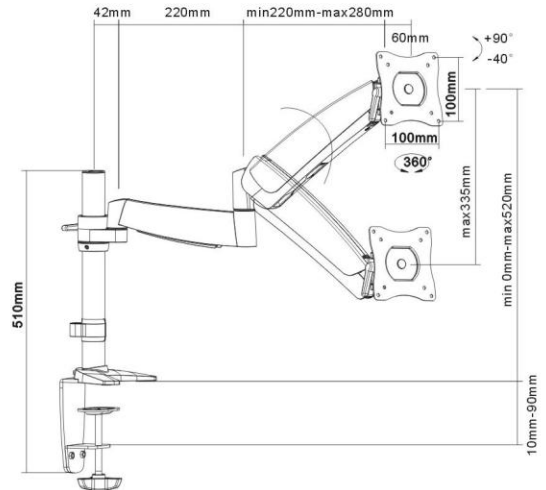
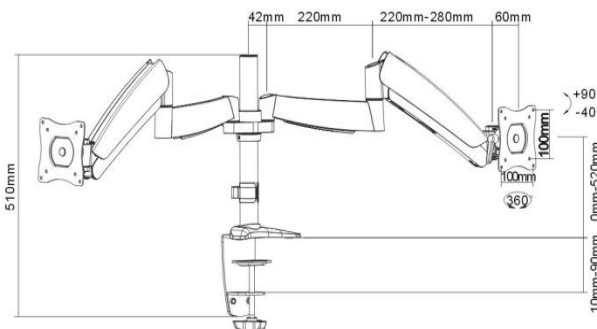


# 320 Series Monitor Arms

## 320-C14-C012



## 320-C14-C024



### Features 320-C14-C012 & 320-C14-C024

- Built-in spring tension gauge enables various monitor sizes
- Polished aluminum construction offers greater durability and enhanced aesthetics
- 360° Rotation and -40° to +90° Tilting VESA Plate
- Steel and Aluminum construction
- Holds monitors up to 25lbs.
- Cable management routes cables under the arm
- Desk Clamp converts to a grommet mount

## COUNTERBALANCE LCD DESK MOUNT ONE-TOUCH SYSTEM

320-C14-C011



### Features

- Built-in spring tension gauge to assist with various monitor sizes up to 25lbs each
- Polished Aluminum offers greater durability and enhanced aesthetics
- 360° rotation and -40° to +90° tilting plate
- Cable management system routes cables under the arm
- Grommet and desk clamp mount available

