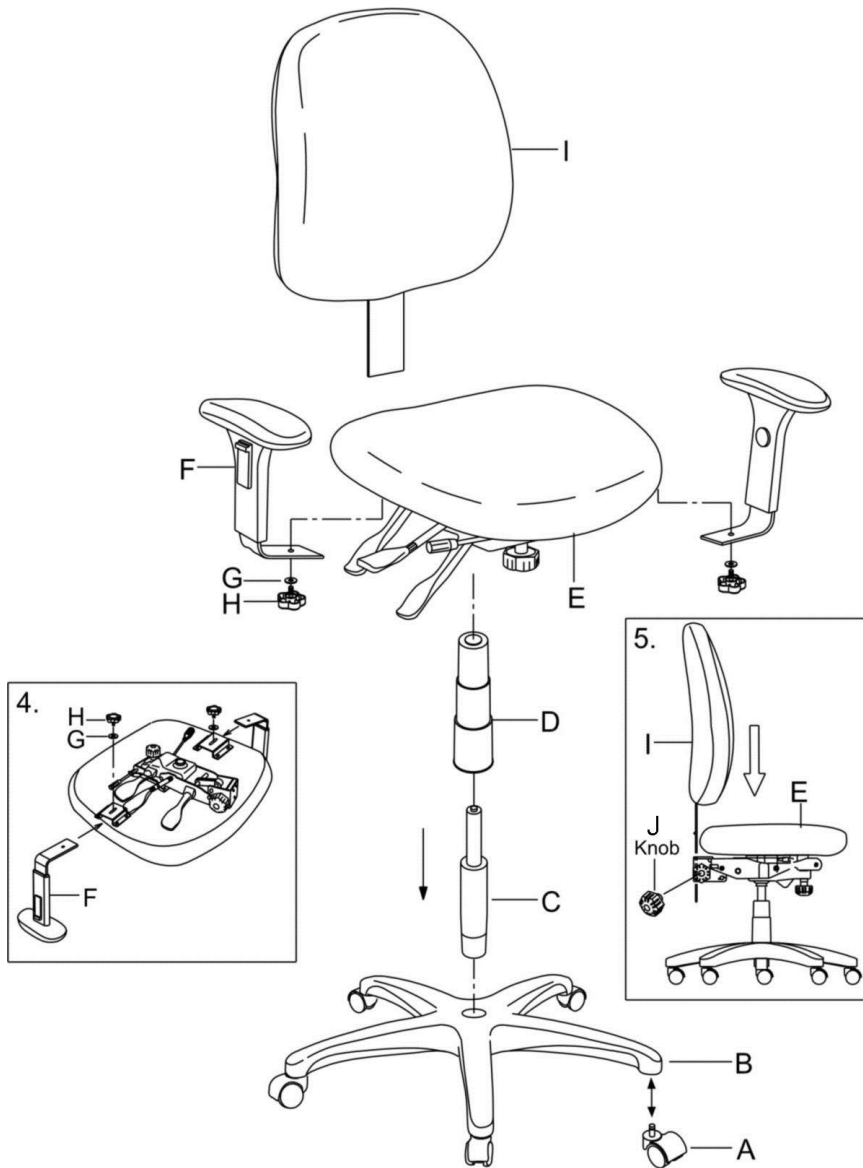


Carefully unpack all parts and identify them with parts list before attempting to assemble the chair.

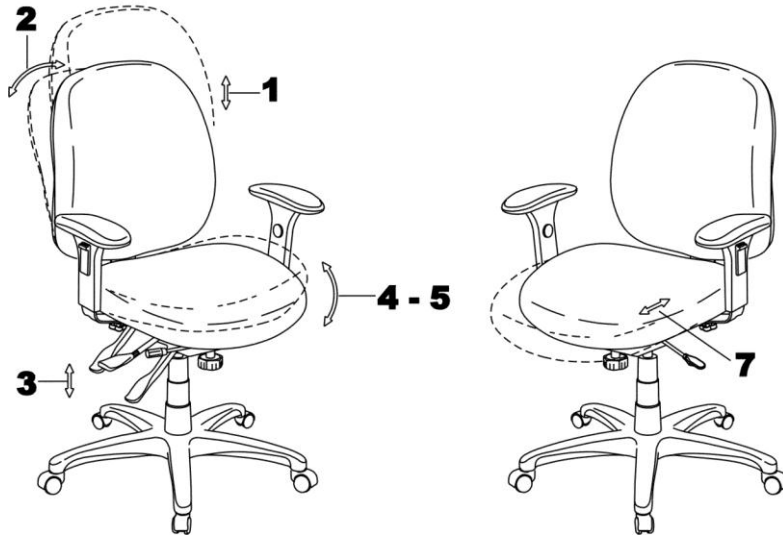
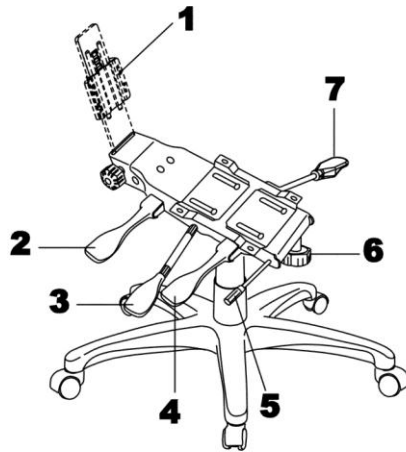
IMPORTANT: DO NOT TIGHTEN BOLTS AND SCREWS FULLY UNTIL YOU HAVE COMPLETED THE FINAL ASSEMBLY.

1. Put 5 CASTERS (A) into the holes on 5 STAR BASE (B).
2. Insert GAS LIFT (C) into the center hole top of 5 STAR BASE (B).
3. Insert BELLOW (D) over GAS LIFT (C).
4. Attach both the left and the right ARMRESTS (F) to SEAT CUSHION (E) by using 2 KNOBS (H) and 2 WASHERS (G).
5. Insert BACK CUSHION (I) with the BACK SUPPORT into the SEAT PLATE. Attach the KNOB (J) to the SEAT PLATE of the SEAT CUSHION (E). Adjust BACK CUSHION to desired height and tighten KNOB (J).
6. Insert the pre-assembled seat unit onto the gas lift to finish the assembly.
7. Be sure that all the screws are fully tightened before using.



Parts List

Description	Quantity
A. CASTERS	5
B. 5 STAR BASE	1
C. GAS LIFT	1
D. BELLOW	1
E. SEAT CUSHION	1
F. ARMRESTS (L&R)	2
G. WASHERS	2
H. KNOBS	2
I. BACK CUSHION	1
J. KNOB	1



1. **Back Height Adjustment.**
The back cushion moved upward which is divided into 5 stages, it can be stayed at any stage. The back cushion automatically descended to the lowest position when it is raised to the last stage.
2. **Back Posture Adjustment.**
To adjust angle of the back, pull paddle up.
Adjust back, push paddle down to lock.
3. **Seat Height Adjustment.**
To raise the seat, pull lever upward and raise your body up slightly to allow the chair to rise to the desired height.
To lower the seat, pull lever upward and apply weight downward on the seat.
4. **Seat Posture Adjustment.**
To adjust angle of the seat, pull paddle up.
Adjust seat, push paddle down to lock.
5. **Seat angle.**
To adjust the forward tilt angle of seat by turning lever clockwise or counter-clockwise.
6. **Tilt Tension Control Knob.**
Turn knob clockwise to increase tilt tension.
Turn knob counter-clockwise to decrease tilt tension.
7. **Seat Slide Adjustment.**
Pull the lever upwards, the seat shall slide forwards and backwards.
Push the lever downwards, the seat shall be locked in position.
When people left the seat, pull the lever upward, the chair will recover to the original site.