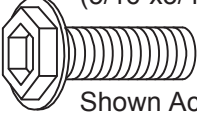
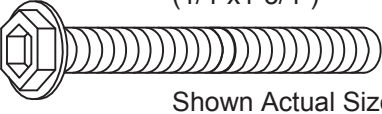
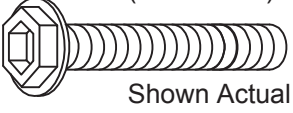
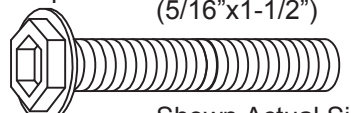
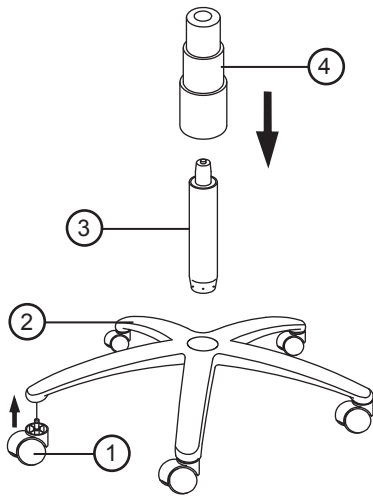


Remove all items from the carton. Verify all pieces before assembly

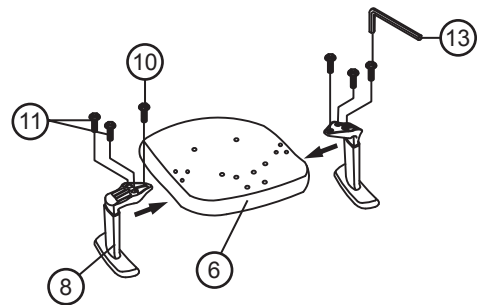
PART LIST

1	5	Caster	 <p>⑨ 4 Mechanism Screws (5/16"x3/4") Shown Actual Size</p>	 <p>⑪ 4 Armrest Screws (1/4"x1-3/4") Shown Actual Size</p>
2	1	Base		
3	1	Gas Lift		
4	1	Telescopic Cover		
5	1	Mechanism		
6	1	Seat Cushion	 <p>⑩ 2 Armrest Screws (1/4"x1-1/4") Shown Actual Size</p>	 <p>⑫ 4 Bracket Screws (5/16"x1-1/2") Shown Actual Size</p>
7	1	Back Cushion		
8	2	Armrest		
13	1	Allen Wrench		

STEP 1:



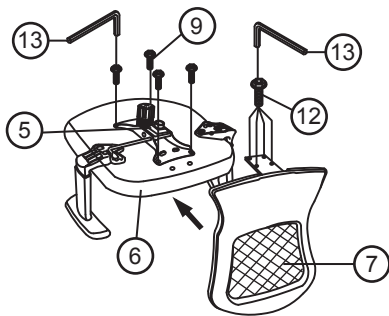
STEP 2:



NOTICE:

THERE ARE TWO DIFFERENT SCREW SIZES TO ATTACH THE ARM. USE SCREW (10) FOR INNER HOLES; USE SCREW (11) FOR OUTER HOLES.

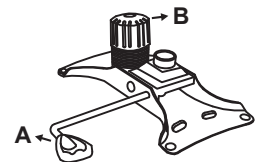
STEP 3:



NOTICE:

FOR EASY ASSEMBLY, FIRST ATTACH ALL SCREWS BY HAND; THEN USE THE ALLEN WRENCH TO TIGHTEN ALL SCREWS.

STEP 4:



MECHANISM OPERATION INSTRUCTION WHILE SEATED:

(A) SEAT HEIGHT ADJUSTMENT: Pull lever up. Release lever when desired position is reached.
 (A) BACK TILT ADJUSTMENT: Pull lever outward to allow backward tilt; Push lever inward to lock back in vertical position.
 (B) TILT TENSION ADJUSTMENT KNOB: Rotate knob clockwise/counterclockwise to adjust tilt tension based on body weight.

PREVENTIVE MAINTENANCE AND WARNING!

- USE THIS PRODUCT ONLY FOR SEATING ONE PERSON AT A TIME.
- DO NOT USE THIS CHAIR AS A STEP STOOL/LADDER.
- DO NOT SIT ON ANY PART OF THE CHAIR EXCEPT THE SEAT.
- DO NOT USE CHAIR ON UNEVEN FLOOR SURFACES.
- DO NOT USE CHAIR UNLESS ALL BOLTS, SCREWS AND KNOBS ARE TIGHT.
- AT LEAST EVERY SIX MONTHS, CHECK ALL BOLTS, SCREWS AND KNOBS TO BE SURE THEY ARE TIGHT.
- IF ANY PARTS ARE MISSING, BROKEN, DAMAGED OR WORN, STOP USE OF THE PRODUCT UNTIL REPAIRS ARE MADE USING FACTORY AUTHORIZED PARTS.
- DISPOSE OF PACKAGING PROPERLY, PLASTIC BAG IS NOT A TOY. DO NOT USE PLASTIC BAG AS HEAD COVERING. IT MAY CAUSE SUFFOCATION.
- FAILURE TO FOLLOW THESE WARNINGS COULD RESULT IN SERIOUS INJURY.