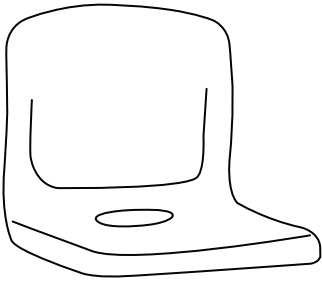


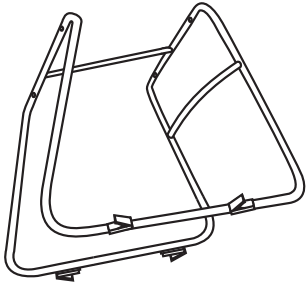
Model 315 Stack Chair

Parts Listing

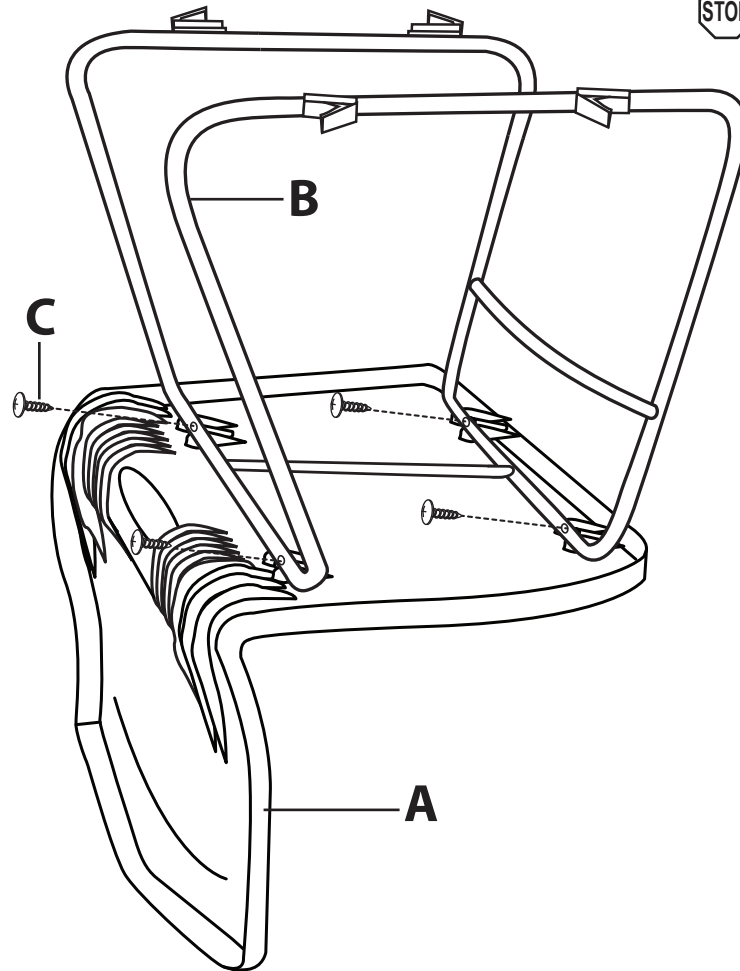
A
Chair Seat
1 Unit



B
Chair Base
1 Unit



C
Screw
4 Units

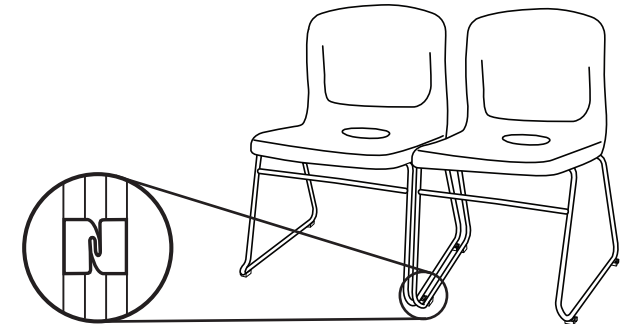


Assembly Instructions

Tools Needed: Phillips Head Screwdriver
Please read all instructions before assembly.

Step 1: Place Chair Seat (A) upside down on the edge of a hard surface. Place the Chair Base (B) upside down on the Chair Seat (A) and align the holes as shown.

Step 2: Insert Screws (C) to secure Chair Seat (A). Make sure Screws (C) are fully inserted and secured.



Ganging Brackets are standard on all Model 315 Chairs

CAUTION:

1. Do not use this chair as a step ladder.
2. Check for loose screws and tighten them every 6 months.

01.09.2013

ofm
Furniture For The Real Office™

161 Tradition Trail, Holly Springs, NC, 27540
800-520-7471 (voice) 919-362-4765 (fax)
919- 303-6389 (voice) www.ofmnc.com
support@ofmnc.com