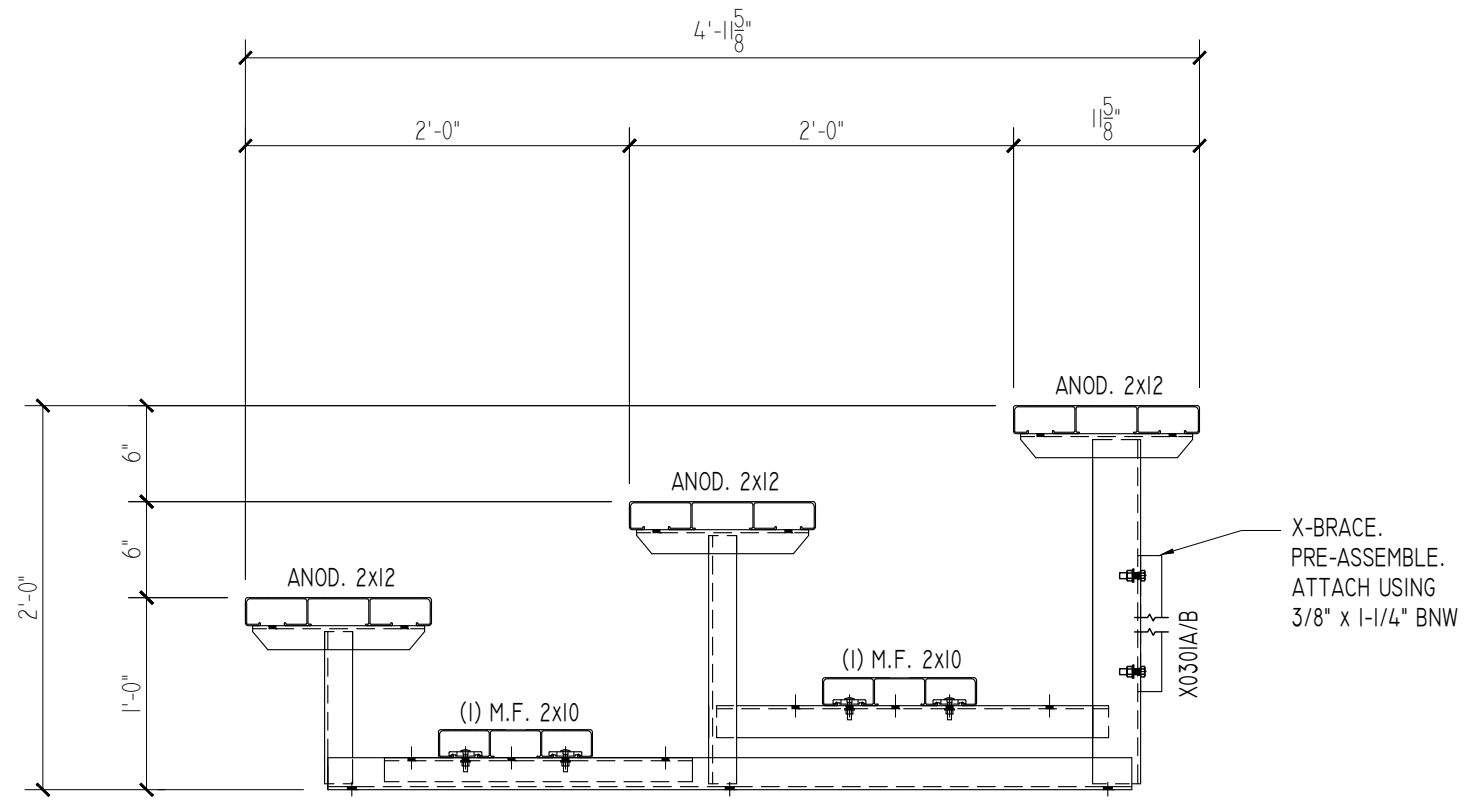


**SEATING PLAN**

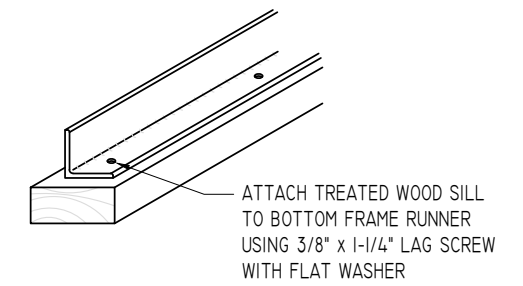
SCALE: 3/8"=1'-0"

NET SEATS = 54

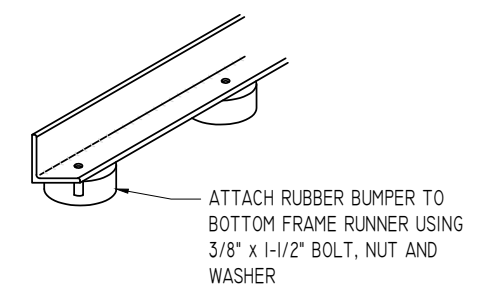


**TYPICAL SECTION THRU BLEACHER**

SCALE: 1"=1'-0"

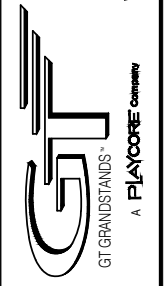


**MUD SILL ATTACHMENT**



**OPTIONAL RUBBER BUMPER ATTACHMENT**

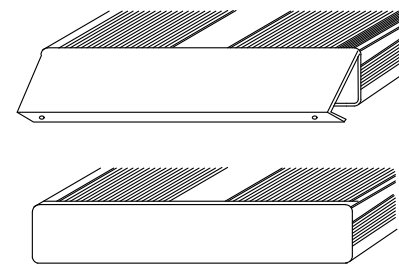
2810 Sydney Road  
Plant City, Florida 33566  
Phone: 813-305-1415  
Fax: 813-305-1419  
www.gtgrandstands.com



**PLAN AND SECTION**  
**LU - UNIVERSAL SERIES**  
**6" RISE / 12" SEAT**

**LU-0327AS AND LU-0327GS**  
**OPTIONAL -MS (MUD SILLS)**  
**OPTIONAL -RB (RUBBER BUMPERS)**

DRAWN BY  
CHECKED BY  
DATE  
MAR 2010  
SCALE  
NOTED  
JOB NO.  
LU-0327AS  
LU-0327GS  
DWG NO.

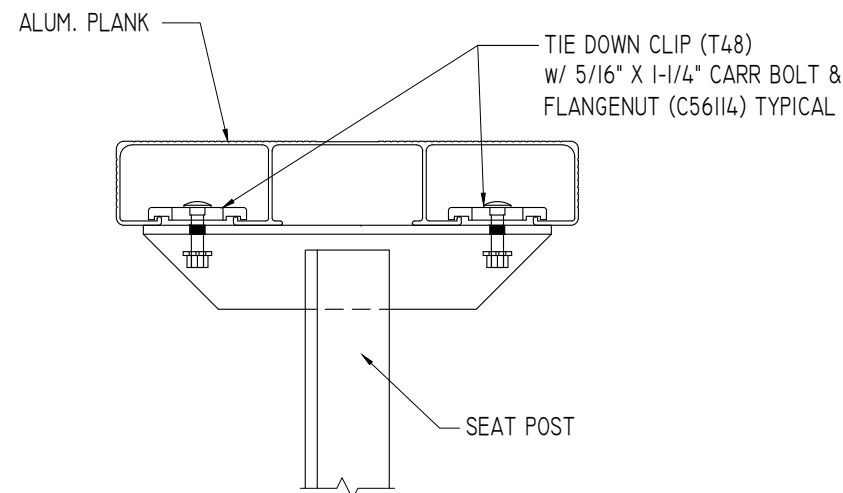


END CAP

1. LOCATE THE CHANNEL END CAP AS SHOWN, WITH THE WIDER FLANGE ON BOTTOM.
2. TAP THE CHANNEL INTO PLACE WITH A RUBBER Mallet OR SOFT WOOD.
3. DRILL (2) No.8 x 3/4" TEK SCREWS THRU END CAP AND BOTTOM FLANGE OF PLANK
4. ENDCAPS WITH STICKERS ARE TO GO AT ENDS OF SEAT PLANKS, PLAIN ENDCAPS GO ON ALL OTHER BOARDS.

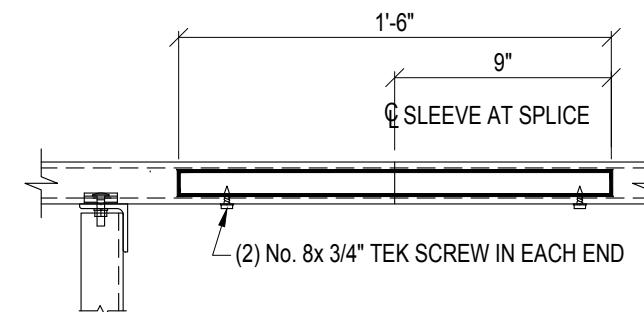
### ENDCAP INSTALLATION DETAIL

SCALE: 3" = 1'-0"

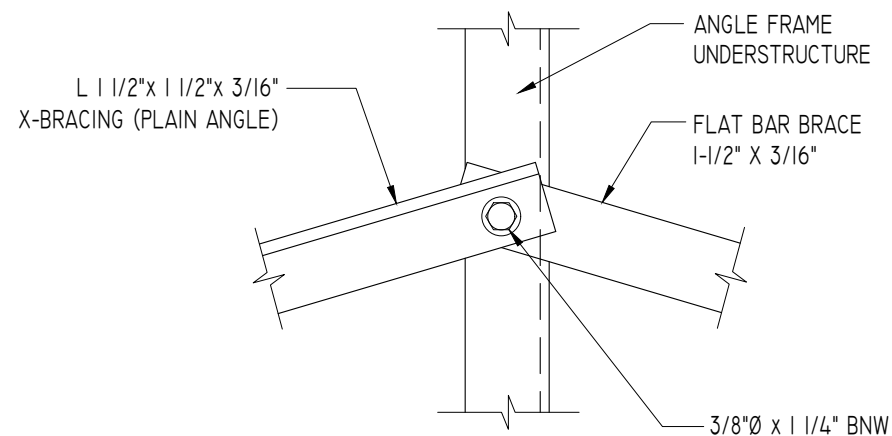


### SEAT PLANK INSTALLATION

SCALE: 3" = 1'-0"



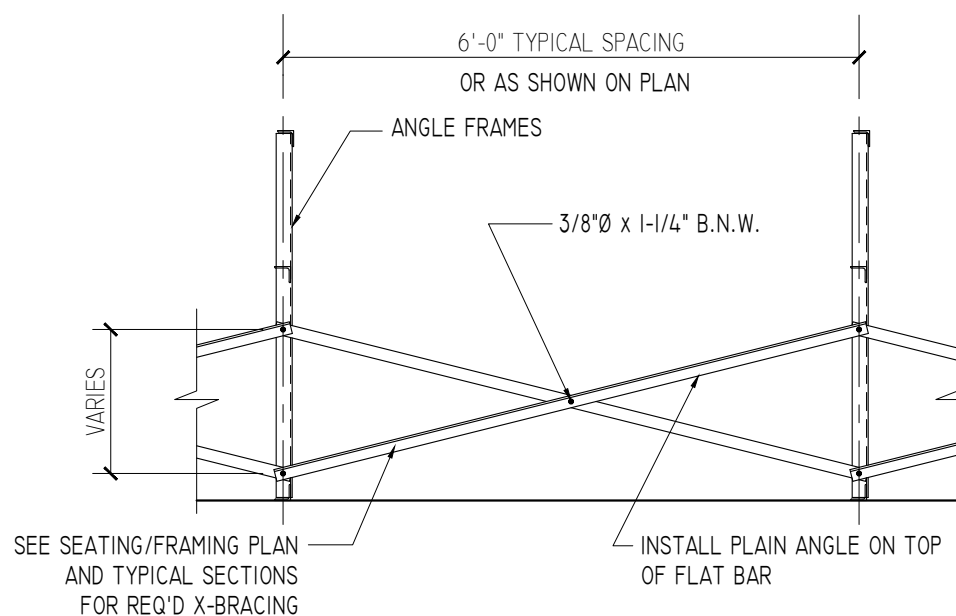
### ALUMINUM SLEEVE DETAIL



X-BRACE ASSEMBLY IS MADE UP OF (1) PLAIN ANGLE AND (1) FLAT BAR.

### TYPICAL X-BRACE TO FRAME CONN.

SCALE: 3" = 1'-0"



SEE SEATING/FRAMING PLAN AND TYPICAL SECTIONS FOR REQ'D X-BRACING

### TYPICAL BRACING LAYOUT

SCALE: 1/2" = 1'-0"

PRE-ASSEMBLE X-BRACE SETS. EACH SET CONSISTS OF A 'PART A (PLAIN ANGLE)' AND A 'PART B (FLAT BAR)'. PLACE THE PIECES TOGETHER AT THE FLAT SIDES AND CONNECT USING A 3/8" x 1-1/4" B.N.W.

