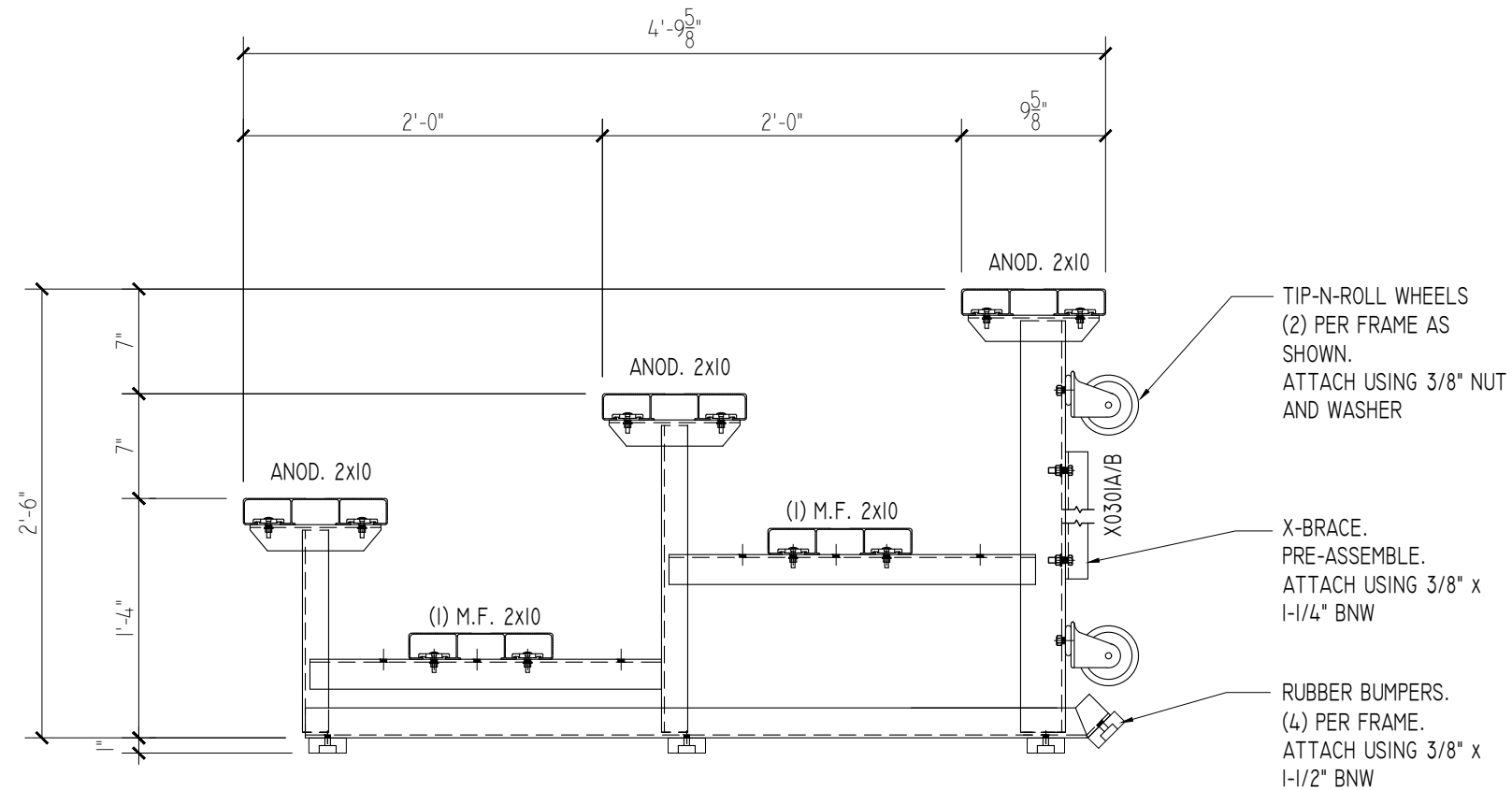


### SEATING PLAN

SCALE: 3/8"=1'-0"

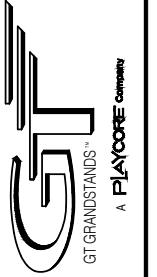
NET SEATS = 30



### TYPICAL SECTION THRU BLEACHER

SCALE: 1"=1'-0"

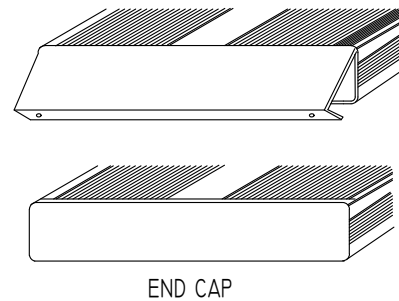
2810 Sydney Road  
Plant City, Florida 33566  
Phone: 813-305-1415  
Fax: 813-305-1419  
www.gtgrandstands.com



SEATING PLAN  
3 ROW BLEACHER  
TIP -N- ROLL

NR-0315AS-TR AND  
NR-0315GS-TR

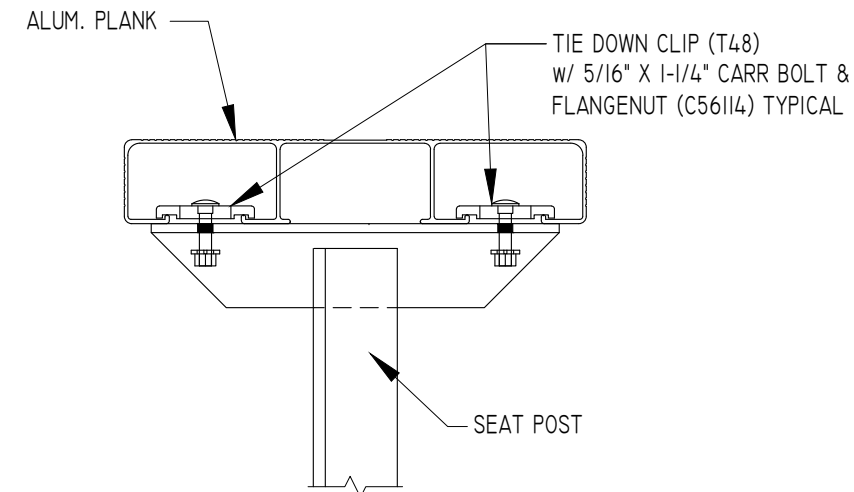
DRAWN BY  
CHECKED BY  
DATE  
MAR 2010  
SCALE  
NOTED  
JOB NO.  
NR-0315AS-TR  
NR-0315GS-TR  
DWG NO.



1. LOCATE THE CHANNEL END CAP AS SHOWN, WITH THE WIDER FLANGE ON BOTTOM.
2. TAP THE CHANNEL INTO PLACE WITH A RUBBER Mallet OR SOFT WOOD.
3. DRILL (2) No.8 x 3/4" TEK SCREWS THRU END CAP AND BOTTOM FLANGE OF PLANK
4. ENDCAPS WITH STICKERS ARE TO GO AT ENDS OF SEAT PLANKS, PLAIN ENDCAPS GO ON ALL OTHER BOARDS.

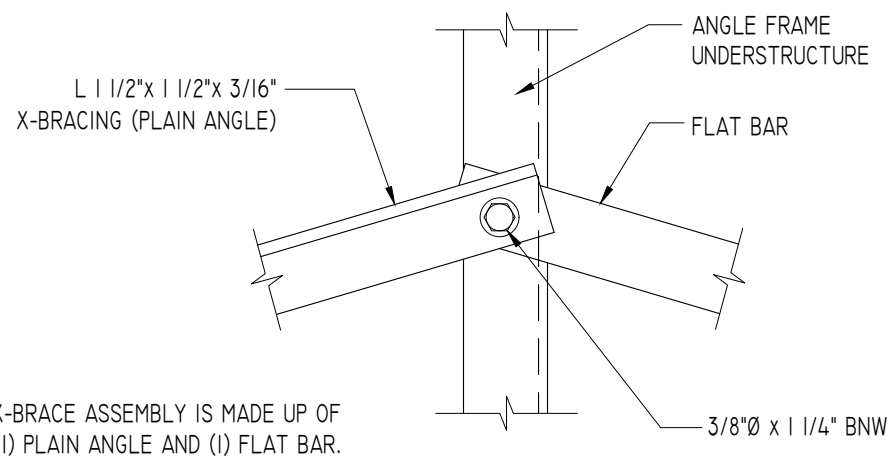
### ENDCAP INSTALLATION DETAIL

SCALE: 3" = 1'-0"



### SEAT PLANK INSTALLATION

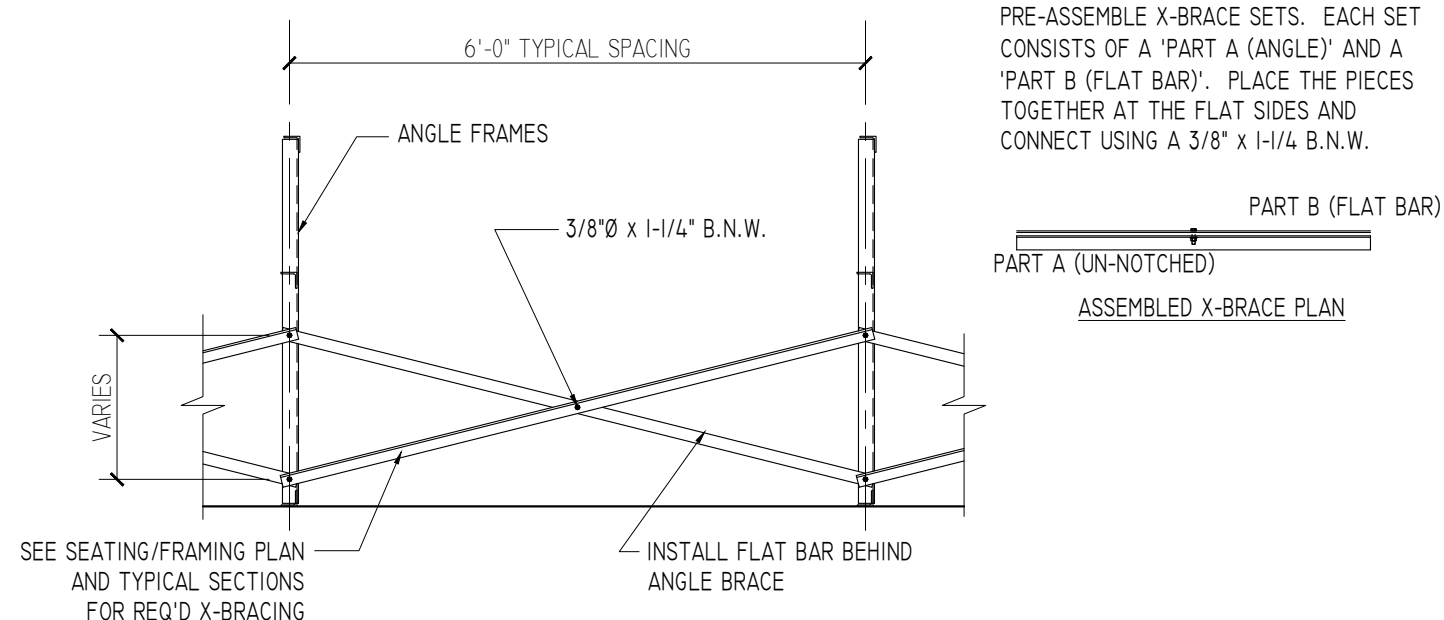
SCALE: 3" = 1'-0"



X-BRACE ASSEMBLY IS MADE UP OF (1) PLAIN ANGLE AND (1) FLAT BAR.

### TYPICAL X-BRACE TO FRAME CONN.

SCALE: 3" = 1'-0"



SEE SEATING/FRAMING PLAN AND TYPICAL SECTIONS FOR REQ'D X-BRACING

### TYPICAL BRACING LAYOUT

SCALE: 1/2" = 1'-0"