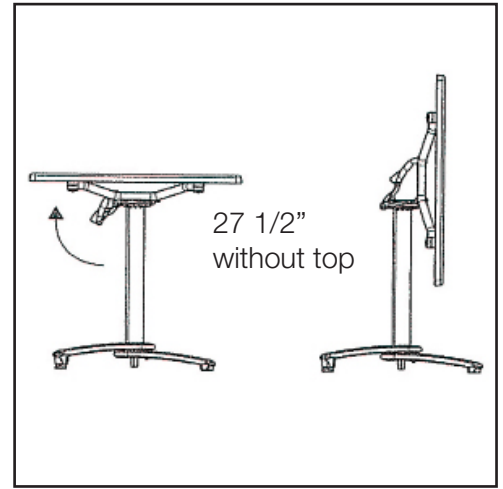




# Aluminum Tilt Top Base 200

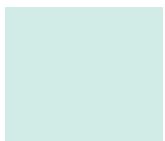


## Product Specifications

Product Description	Reference Number	Color	UPC Code 014306	Weight Each (lbs.)	Master Pack	Master Pack Volume (cu. ft)
Aluminum Tilt Top Base 200	US809009	Silver Gray	141589	19.77	1	2.18
	US809017	Black	140162	19.77	1	2.18

## Features & Benefits Warranty: 2 Yrs.

- Specifically designed for indoor/outdoor hospitality and food service use.
- Allows daily storage of Grosfillex molded melamine 32" Square, 36" Square, and 36" Round sizes.
- Heavy duty powder coated aluminum construction for weather resistance and structural integrity.
- Patented single action handle for ease of operation.
- Table legs interlock/nest for compact storage.
- Two adjustable leg levellers balance table on uneven surfaces.
- Easy to assemble.
- Easy to secure with metal chain and padlock.



Silver



Black

