



NOTE

To avoid damaging the trimmer, never immerse it in water or other liquids.

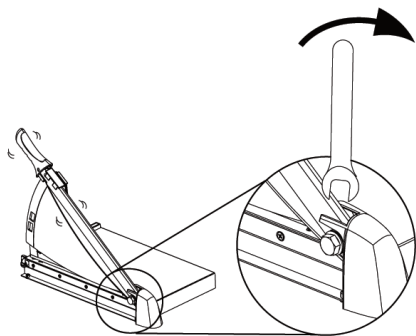
Do not use abrasive cleaners on the trimmer.

Do not use the trimmer without the safety shield installed properly.

Maintenance

1. Please use a dry cloth to wipe the surface of the trimmer. Do not pour water directly onto the machine.
2. All moveable parts must be lubricated and oiled periodically. Before lubricating, these parts should be cleaned from paper dust and oil deposits.
3. If the blade has become dull, please contact your dealer to replace or sharpen it. The blade should only be replaced or sharpened by a trained professional.
4. Please regularly inspect the effectiveness of the blade friction mechanism.

If the blade is easily dropping down after being raised, remove the plastic cap and use a wrench to tighten the screws on both sides. (See diagram below.)



Safety Precautions

Before using the trimmer, please read and follow these instructions, and keep them handy for future reference.

1. Read all instructions before operating.
2. This product is not intended for use by children. Keep product out of reach of children and pets.
3. This trimmer is designed to cut only paper. Do not use it to cut other objects.
4. Keep hands and loose items, i.e. jewelry, clothing, neckties, etc. away from the blade to avoid personal injury and/or damage to the trimmer.
5. Do not attempt to dislodge jammed debris with a pointed object, as personal injury or damage to the trimmer may occur.
6. Always use the trimmer on a flat, level, sturdy surface.
7. Do not hang or wall-mount the trimmer.
8. This product is intended for indoor use only.

To avoid damage to the trimmer:

Remove paper clips and staples from items before trimming.

Never lubricate the cutting blade.

Do not expose the trimmer to water or other liquids.

To avoid possible severe personal injury:

Never use the trimmer without the safety shield in place.

Never carry the trimmer by the blade or blade handle.

Always ensure the blade lock is secure when the trimmer is not in use.

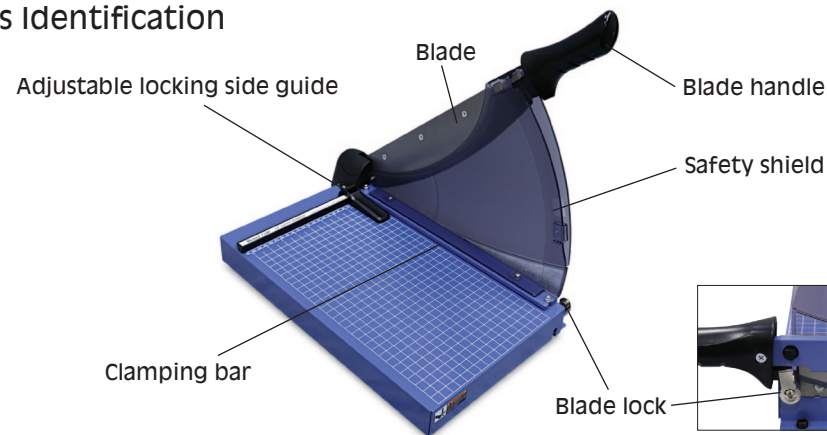
Specifications

United T14P

United T18P

Specifications	United T14P	United T18P
Paper Length	Up to 14" (360mm)	Up to 18" (460mm)
Paper Stack Height	Up to 5/32" (4mm)	Up to 5/32" (4mm)
Sheet Capacity	Up to 40 sheets 20# (75gsm)	Up to 40 sheets 20# (75gsm)
Blade Type	Guillotine	Guillotine
Paper Clamp	Automatic	Automatic
Blade Guard	ABS Plastic Shield	ABS Plastic Shield
Blade Lock	Yes	Yes
Back Gauge Scale	Inch/mm	Inch/mm
Table Size	10.5" W x 14" D (267 x 356mm)	15" W x 21.5" D (381 x 546mm)
Dimensions	11.6" W x 24.8" D x 21" H (294 x 630 x 530mm)	15.5" W x 28.7" D x 24.6" H (394 x 730 x 625mm)
Weight	11 lbs (5kg)	18 lbs (8.2kg)
Base	Steel	Steel

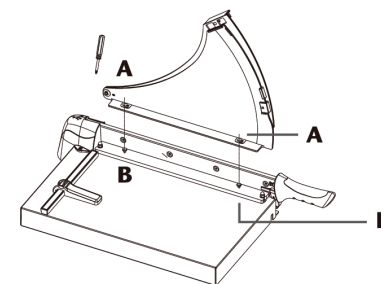
Parts Identification



Assembling the Safety Shield

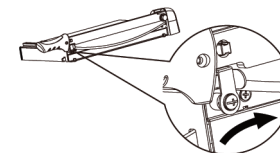
Please use caution when assembling the safety shield. Wearing leather gloves is recommended.

1. Align the two holes in the safety shield (A) to the holes in the clamping bar (B).
2. Attach the safety shield with the screws (included). Be sure it is securely attached prior to use.

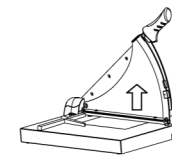


Operation

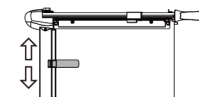
1. Hold the blade handle and carefully release the blade lock.



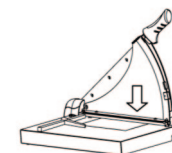
2. Raise the blade to its full upright position. This will open the clamping bar. When the blade is in the full upright position, you will hear a "lock" sound. The handle will not drop down until you push it. NOTE: Failure to raise the blade fully will reduce the sheet capacity.



3. Insert paper and adjust the side guide to the desired location.



4. Lower the blade in a slow, steady motion to cut the paper. The paper stack will be clamped automatically.



Raise the blade fully to unclamp and (re)move the paper stack.