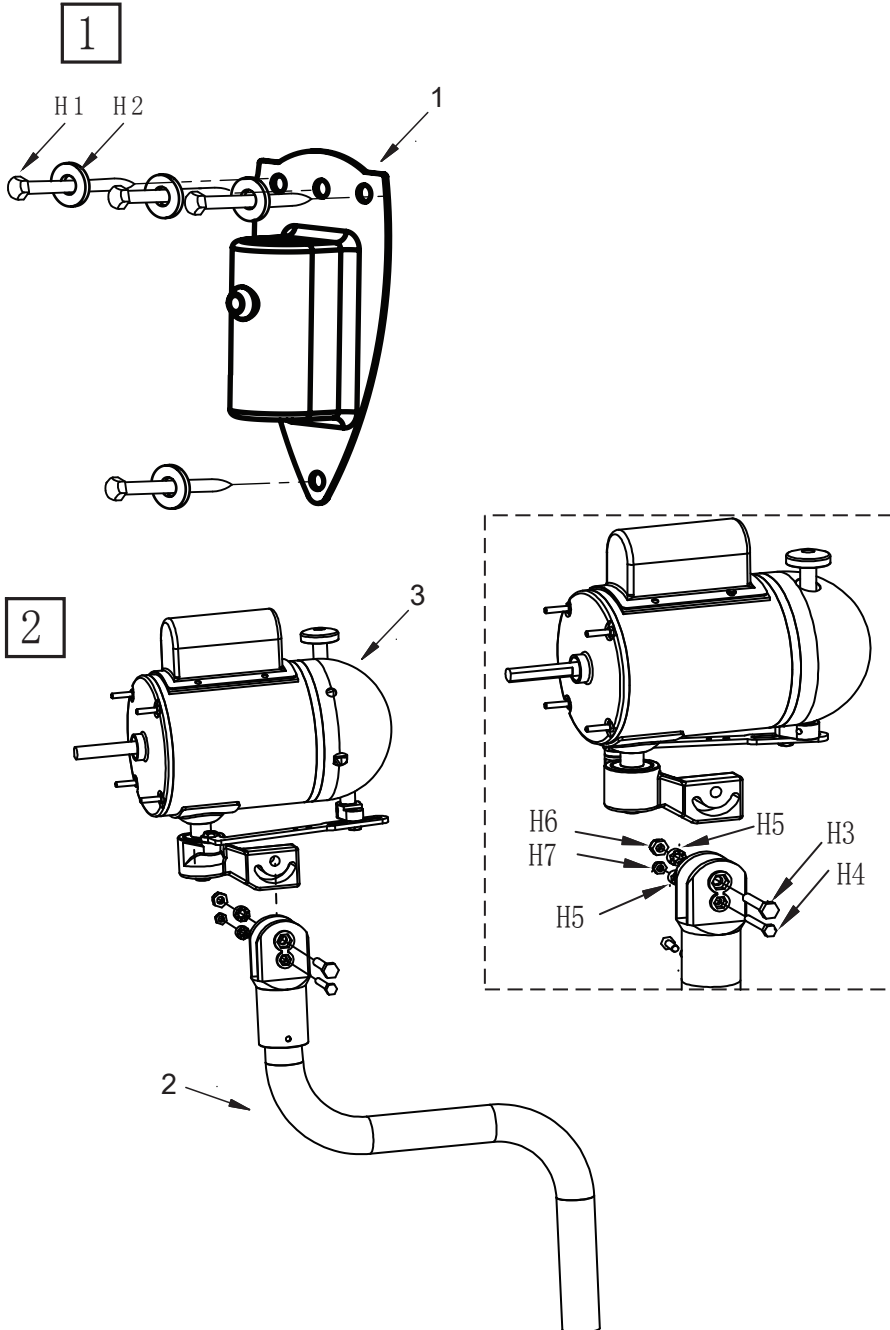


Assembly Instructions	Instrucciones de Ensamblaje	Directives d'assemblage
Customer Service US: 1-800-645-2986	Servicio de atención al Cliente México: 01.800.681.6940	Service à la clientèle Canada: 888-645-2986

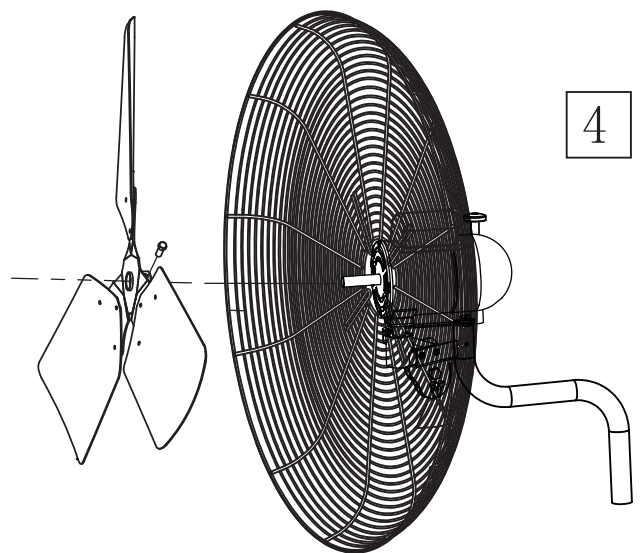
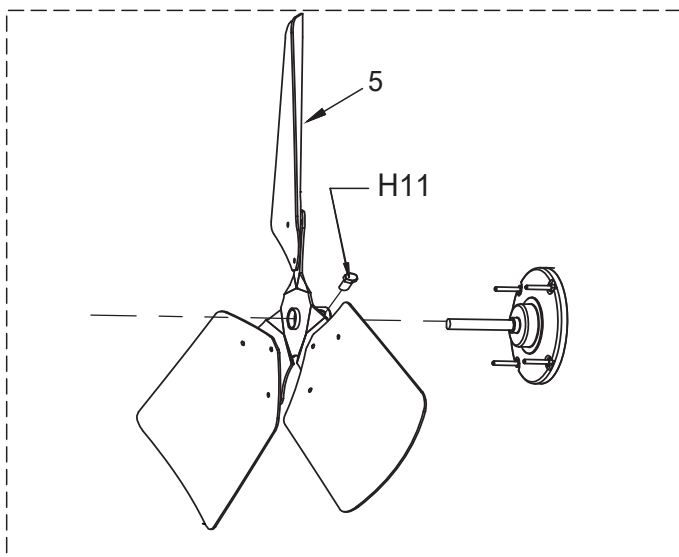
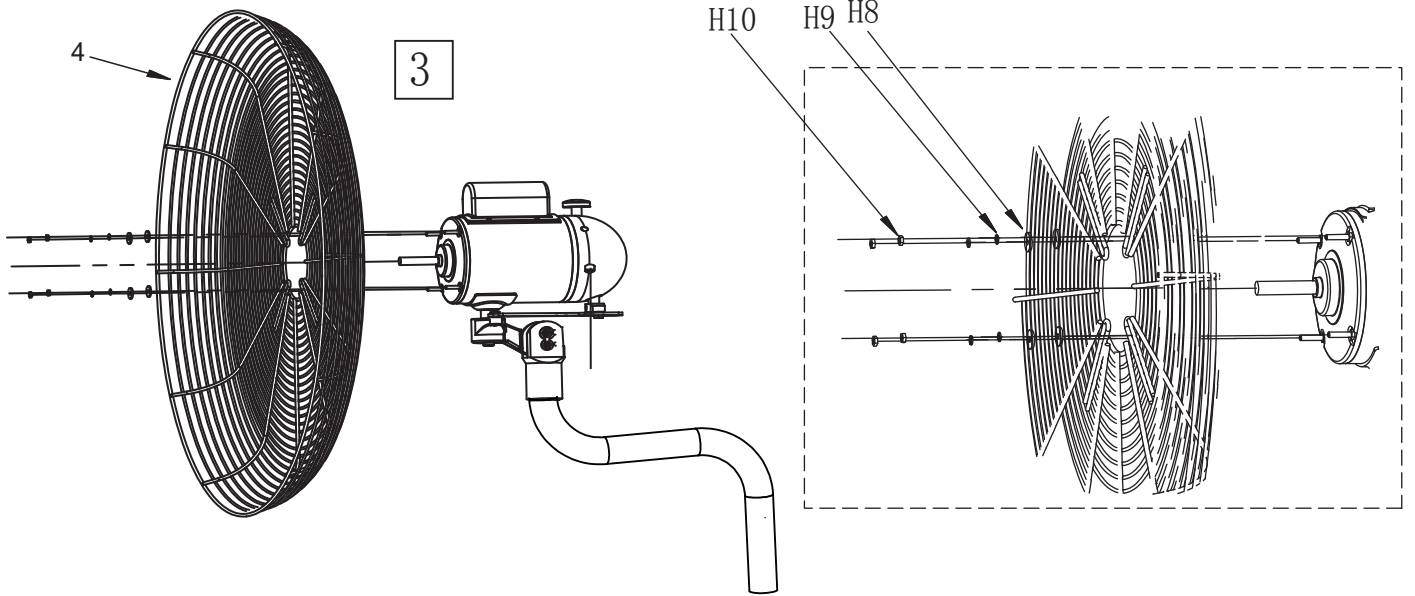
Oscillating Wall Mounted Fan

Models: 292648 292649

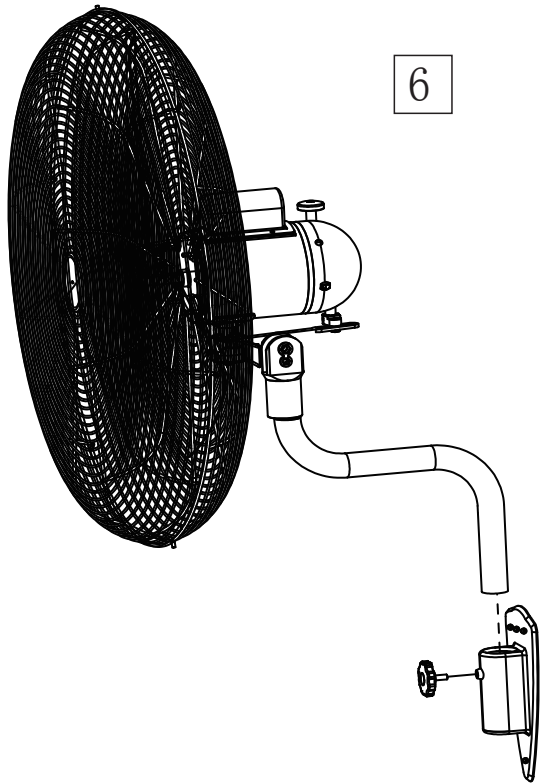
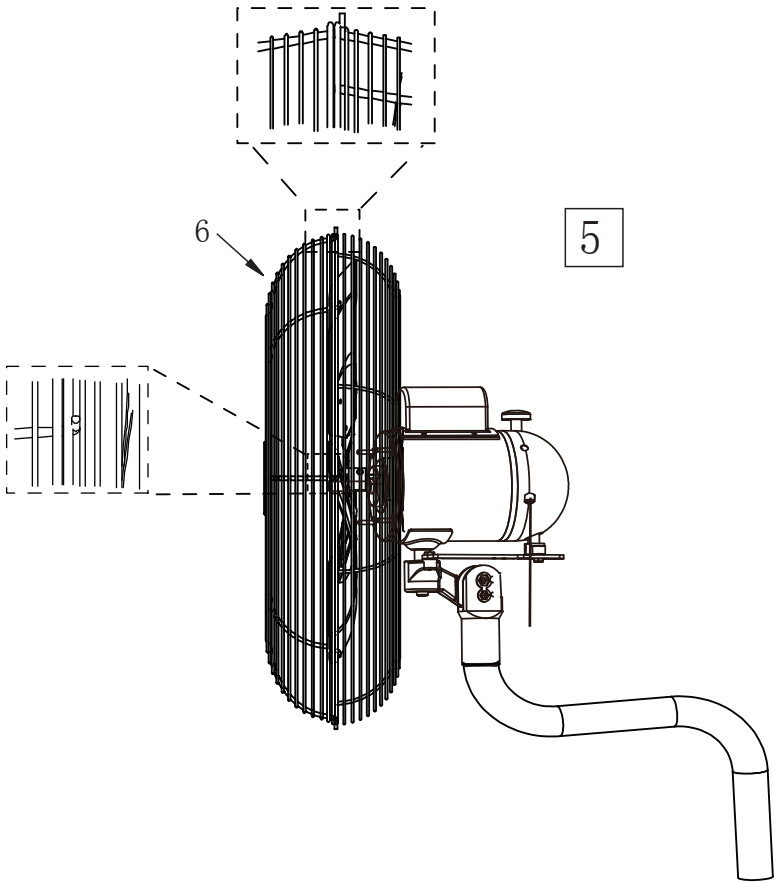


CONTENTS		
Ref.	Qty.	Description
1	1	Wall Mounting
2	1	Wall Bracket
3	1	Fan Motor
4	1	Back Shroud
5	1	Fan Blade
6	1	Cover Shroud
H1	4	ST9, 5*65 Lg. Hex Bolt
H2	4	φ30*δ2.3 Plain Washer
H3	1	M8 x 45mm Lg. Hex Bolt
H4	1	M6 x 45mm Lg. Hex Bolt
H5	2	Washer
H6	1	M8 Hex Nut
H7	1	M6 Hex Nut
H8	1	φ25*δ2.0 Plain Washer
H9	4	Split Washer
H10	4	3/16"-32UNF*5.5 Hex Nut
H11	1	5/16"-18*13 Lg. Hex Bolt
H12	1	M8*20 Konb

Oscillating Wall Mounted Fan



Deluxe Industrial Pedestal Fan



Oscillating Wall Mounted Fan

CAUTION: THE SECONDARY SUPPORT CABLE PROVIDED SHOULD BE USED ANYTIME THE WORKSTATION FAN IS MOUNTED OVERHEAD FOR ADDITIONAL SAFETY.

CAUTION: Use of the secondary support cable does not guarantee protection against injury of persons, mounting of both the circulator and cable could fail if subjected to abuse, neglect or improper installation.

