

Starfire® Strobe Warning Lights

Models 131ST and 131DST



OUR BRIGHTEST MEDIUM DUTY STROBE LIGHT

- Available in 12-24VDC, 120VAC and 240VAC
- Five dome colors
- 10,000 hour strobe tube
- Single or double flash strobe
- 1/2 - inch pipe mount
- Indoor/outdoor use
- Type 3R, IP45 enclosure (Dome up orientation)
- UL and cUL Listed and CSA Certified

Federal Signal's Starfire® strobe warning lights are available in single-flash (131ST) and double-flash (131DST) models. Through precise timing of the strobe flash, the double flash unit produces 1,200 effective candela; the single flash unit produces 1,000 effective candela.

Starfire models are available in 12-24VDC, 120VAC (50/60Hz) and 240VAC (50/60Hz). All units are less than nine inches high and six inches in diameter, but powerfully effective.

Starfire strobe warning lights contain their own strobe power supply in the base of the light. The strobe flash tube is mounted in an eight-pin octal socket base. The fresnel dome stands up to impact and abuse and is available in amber, blue, clear, green and red. The base of the light is made of corrosion-resistant anodized aluminum. Each Starfire model comes with a standard 1/2-inch pipe mount. An optional surface mount can be ordered.

Because of its convenient size and intense light output, the Starfire strobes can be used for multiple applications. Excellent for in-plant use, the Models 131ST/DST warn of hazardous conditions, mark dangerous areas (either permanently or temporarily) and mounts on lift trucks, cranes and other moving devices. These powerful strobes can be used on emergency, utility, maintenance or any other vehicle requiring emergency warning.

Model	Voltage	Operating Current	Flash Rate/Minute	Candela Peak ¹	ECP ²	Mount ⁴
131DST	12-24VDC	3.0-1.9 amps	80 ³	1,000,000	1,200	1/2" Pipe
131DST	120VAC	0.60 amps	80 ³	1,000,000	1,200	1/2" Pipe
131DST	240VAC	0.30 amps	80 ³	1,000,000	1,200	1/2" Pipe
131ST	12-24VDC	2.75-1.25 amps	80	2,000,000	1,000	1/2" Pipe
131ST	120VAC 50/60Hz	0.60 amps	80	2,000,000	1,000	1/2" Pipe
131ST	240VAC 50/60Hz	0.30 amps	80	2,000,000	1,000	1/2" Pipe

¹ Peak candela is the maximum light intensity generated by a flashing light during its light pulse

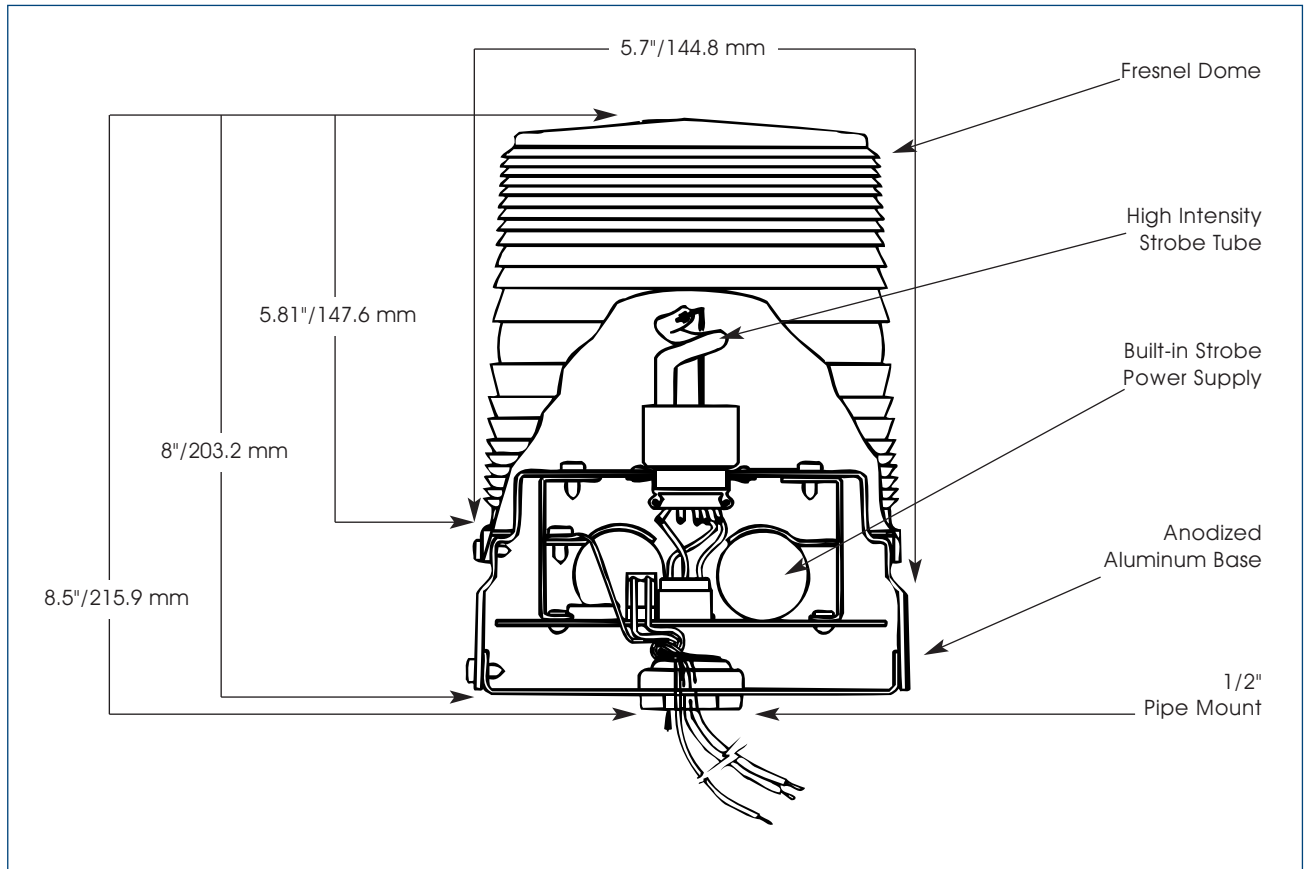
² ECP (Effective Candela) is the intensity that would appear to an observer if the light were burning steadily

³ Double Flash

⁴ Magnet and surface mount kits available



STARFIRE® STROBE WARNING LIGHT (131ST/131DST)



SPECIFICATIONS

Lamp Life*:	10,000 Hours	10,000 Hours
Lamp Style:	Strobe	Strobe
Operating Temperature:	-31°F to 150°F	-35°C to 66°C
Net Weight:	2.0 lbs.	1.0 kg
Shipping Weight:	3.4 lbs.	1.5 kg
Height:	8.5"	215.9 mm
Width:	5.7"	144.8 mm

* Optimal hours under ideal conditions.

HOW TO ORDER

- Specify model, voltage and color
- Specify options:
 Corner Bracket (LCMB2)
 Wall Bracket (LWMB2)
 Surface Mount (K8444A211B)
- Please refer to Model Number Index 131ST/131DST beginning on page 376

REPLACEMENT PARTS

<i>Description</i>	<i>Part Number</i>	<i>Description</i>	<i>Part Number</i>
Dome, Amber	K8422B428A-01	PC Assembly, 12-24VDC (131ST)	K2001260C
Dome, Blue	K8422B428A-02	PC Assembly, 120VAC (131ST)	K2001188C
Dome, Clear	K8422B428A	PC Assembly, 240VAC (131ST)	K2001188C-01
Dome, Green	K8422B428A-03	PC Assembly, 12-24VDC (131DST)	K2001265D
Dome, Red	K8422B428A-04	PC Assembly, 120VAC (131DST)	K200865G
Dome, Magenta	K8422B428A-05	PC Assembly, 120VAC (131DST)	K200865G
Strobe Tube	K8107178A	PC Assembly, 240VAC (131DST)	K200865G-01
Surface Mount Kit	K8444A211B	Dome Gasket	K8444A193A