



OVL-II™ Bi-Level

MODEL OVL-II™ ESBP

Barrier-Free Fountain



This fountain is certified to NSF/ANSI 61.

GENERAL

Two oval shape fountains, one-piece, non-corrosive stainless steel with brushed satin finish. Contour-formed basins with rounded corners and edges reduces splatter, insures proper drainage and prevents standing waste water. Oval fountain shape requires less neck extension and bending for the wheel chair user. Designed to be easily accessible to both physically challenged and able-bodied individuals. Ideally suited for installation in public areas. Model meets state and federal requirements as defined by the Americans with Disabilities Act. Barrier walls required or apron installed to meet 27" cane touch prerequisite.

BUBBLER

Exclusive one-piece, chrome-plated two-stream mound-building bubblers with non-removable anti-squirt feature and integral hood insures a satisfying drink of water.

PUSH BAR ACTUATION MECHANISM

Self-closing, semi-circular push bar can be actuated at any point of its 180° radius.

PANEL

Constructed of stainless steel, number 300 series with satin finish.

AUTOMATIC STREAM HEIGHT REGULATOR

Self-closing assembly is located inside unit to prevent tampering. Unit resists corrosion and liming. A constant stream height is automatically maintained under line pressures that vary from 20 to 105 psi.

INLET STRAINER

Easily cleaned in-line strainer screen traps particles of 140 microns or larger before they enter the waterway.

WATER INLET

3/8" O.D. Tubing

DRAIN OUTLET

1-1/4" tube outlet for 1-1/4" slip joint connection.

SUGGESTED SPECIFICATIONS

Both fountains shall include pushbar on the front. Both shall include contour-formed basins to eliminate splashing and standing water, and shall have rounded corners and edges. Each projector shall be two-stream, mound-building type with integral hood guard and anti-squirt feature. Fountain shall comply with ANSI 117:1 and ADA for visual and motion disabilities. The manufacturer shall certify the unit to meet the requirements of ANSI/NSF 61, and the Safe Drinking Water Act.

Note: Continued product improvement makes specifications subject to change without notice. See Halsey Taylor website for most current spec sheet.



Standard Finish is Stainless Steel

Optional Finishes (extra cost)

- Aztec Gold
- Galaxy Gray Marblyte™ (Bowl Only)
- Black Onyx Marblyte™ (Bowl Only)

Optional Accessories (extra cost)

- Vandal-Resistant Kit
- Easy-Flex™ Bubbler
- Cane Apron
- Water Filter (2 recommended)

Each OVL-II™ ESBP consists of 1 carton of the following:

Fountain, Panel and Misc. Parts

Trap and service stop not included.

Copper tube to water supply connection not furnished

Shipping weight: 55 lbs.

JOB NAME: _____

ENGINEER/CONTRACTOR NAME: _____

APPROVAL: _____
DATE: _____



OVL-II™ ESBP

OVL-II™ Barrier-Free Bi-Level Fountain

(CONTINUED)

MOUNTING INSTRUCTIONS

Refer to diagrams for rough-in of plumbing. Mount wall plate assembly to wall per the installation instructions. Hang fountain panel over the wall plate assembly. Attach fountains to wall plate assembly. Water service line and waste line are to be assembled as required. Final check for leaks and correct functions of fountain should be made. (For details see the installation instructions.)

Installation requires trap to be installed in wall. A service supply stop must be installed at the fountain inlet line. Trap and service stop not included.

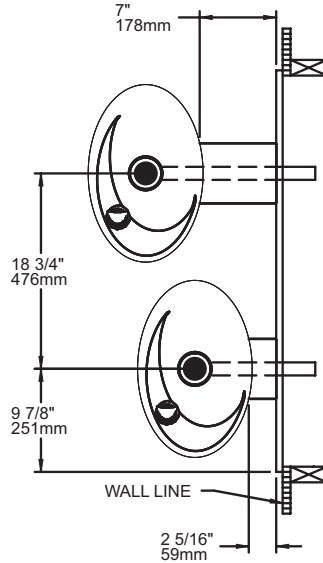
CAUTION – Fountain must be securely bolted to wall.

For wall support required locations see installation instructions provided with panel and fountains.

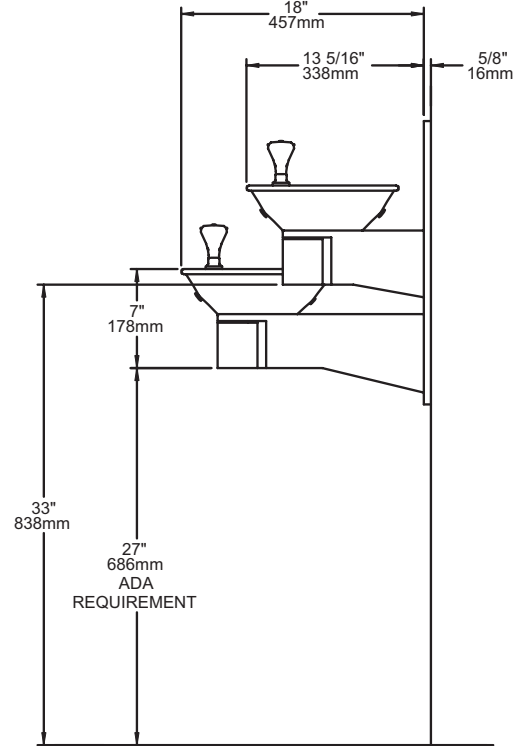
OPERATING PRESSURES:

Supply water - 105 psi maximum

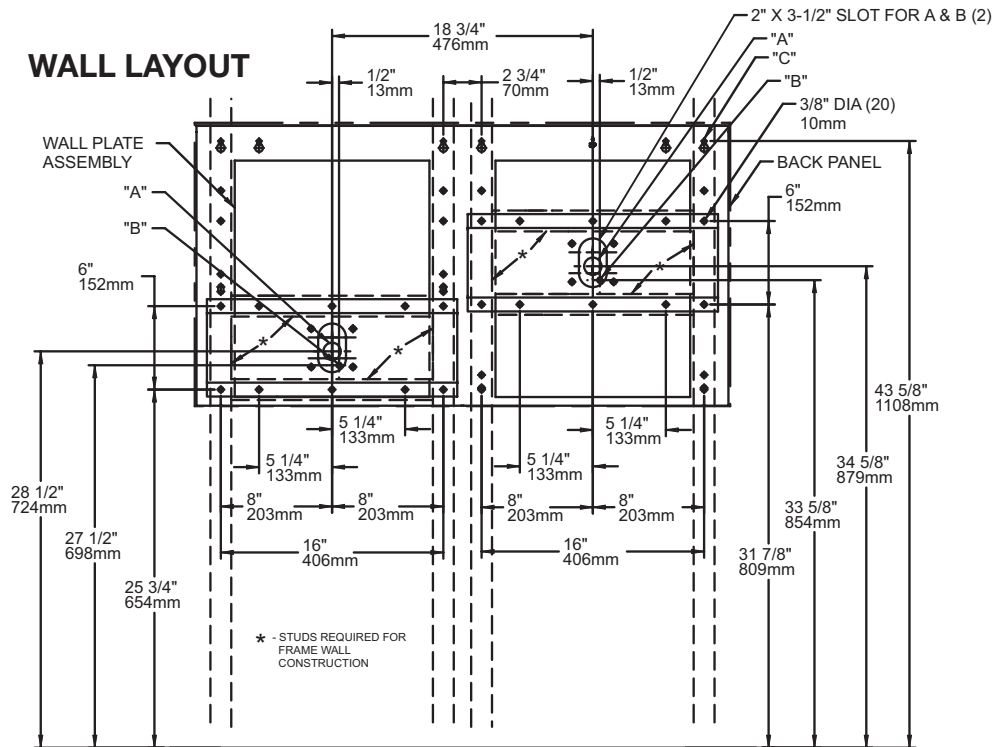
TOP VIEW



SIDE VIEW



WALL LAYOUT



*ADA Requirement

LEGEND:

- A = 1-1/4" O.D. WASTE TUBE (TRAP AND ELBOW NOT PROVIDED)
- B = 3/8" O.D. UNPLATED COPPER TUBE CONNECT (WATER INLET)
- C = 1/4" (6mm) DIA. HOLES FOR MOUNTING PLATE TO WALL