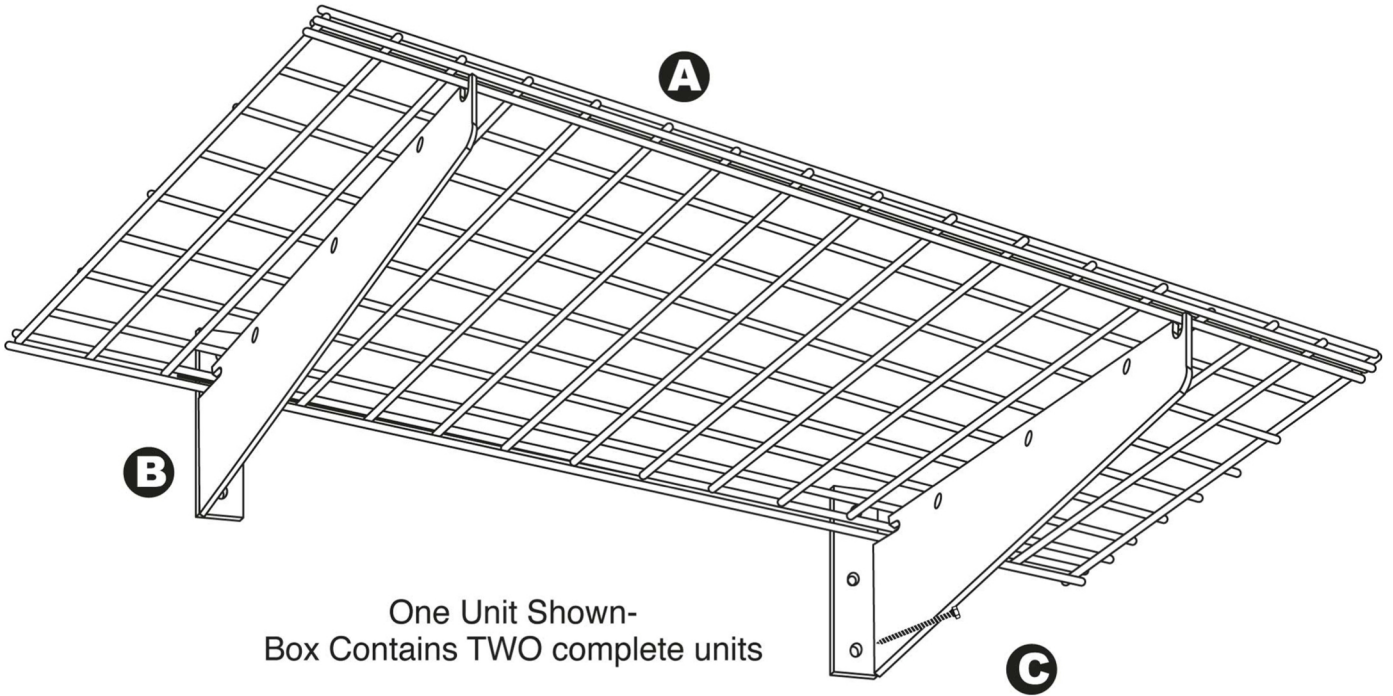


# INSTALLATION INSTRUCTIONS

HyLoft 24" x 48" Heavy Duty Shelf



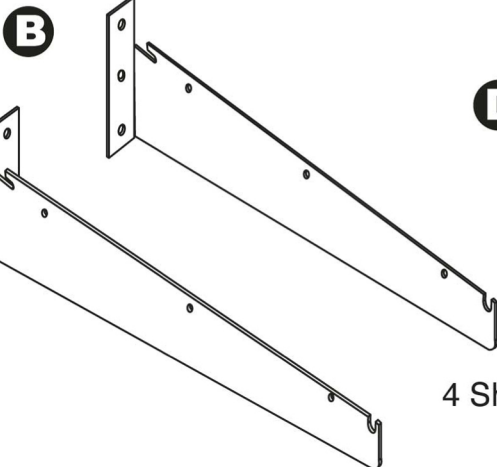
## Tools Required:

- 7/16" Wrench(11 mm)
- Stud Finder
- Drill and 3/16"(5 mm) drill bit
- 7/16"(11 mm) Socket Wrench or Nut Driver
- Tape Measure
- Pencil


## Parts Included:

**A** 2 wire grids

**C**  12 Lag Screws 1/4" X 3"  
(6 mm x 76 mm)

**B** 

4 Shelf Brackets-2 lefts  
and 2 rights

**D**   
10 Plastic Tie Straps

**E** 

HyLoft Sticker

**G** These Instructions  
and  
Limited Warranty



# INSTALL SHELF BRACKETS INTO WALL STUDS

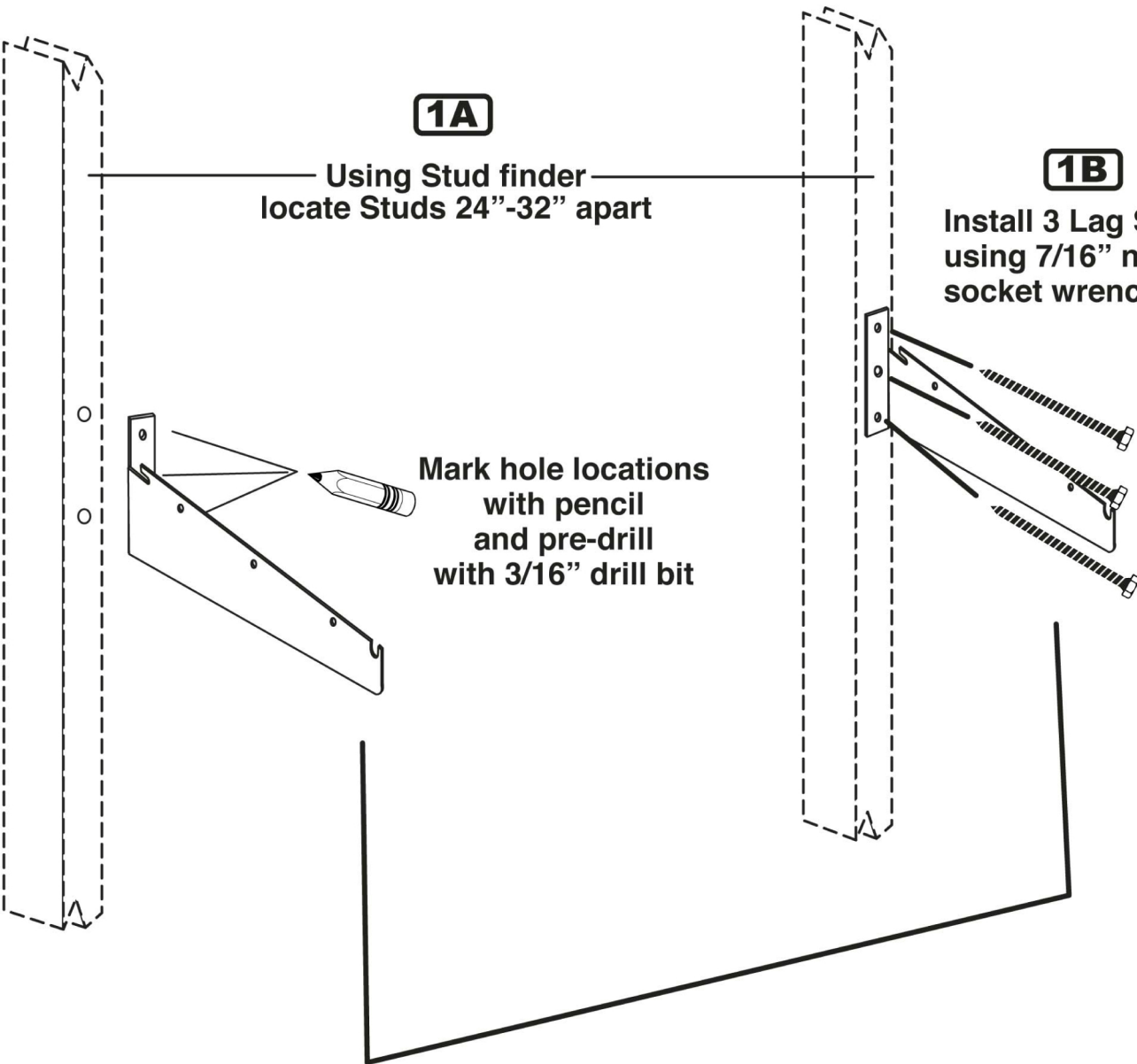
**1A**

Using Stud finder  
locate Studs 24"-32" apart

Mark hole locations  
with pencil  
and pre-drill  
with 3/16" drill bit

**1B**

Install 3 Lag Screws(C)  
using 7/16" nut driver or  
socket wrench.

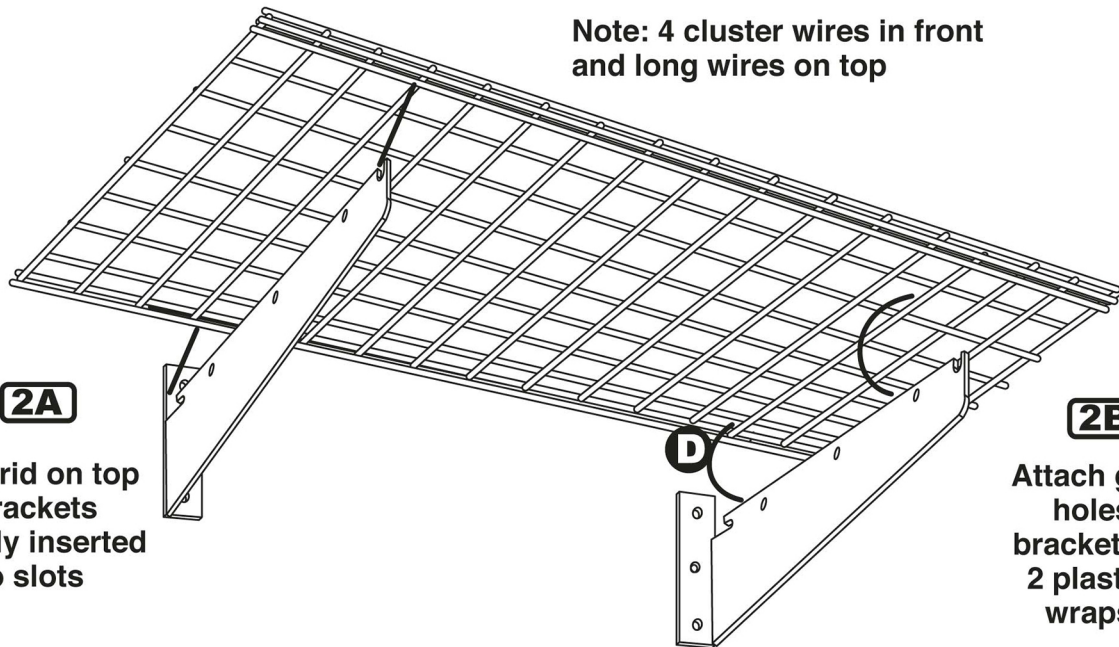


Note: Make sure brackets are level

# 2

## PLACE AND ATTACH GRIDS

Note: 4 cluster wires in front and long wires on top

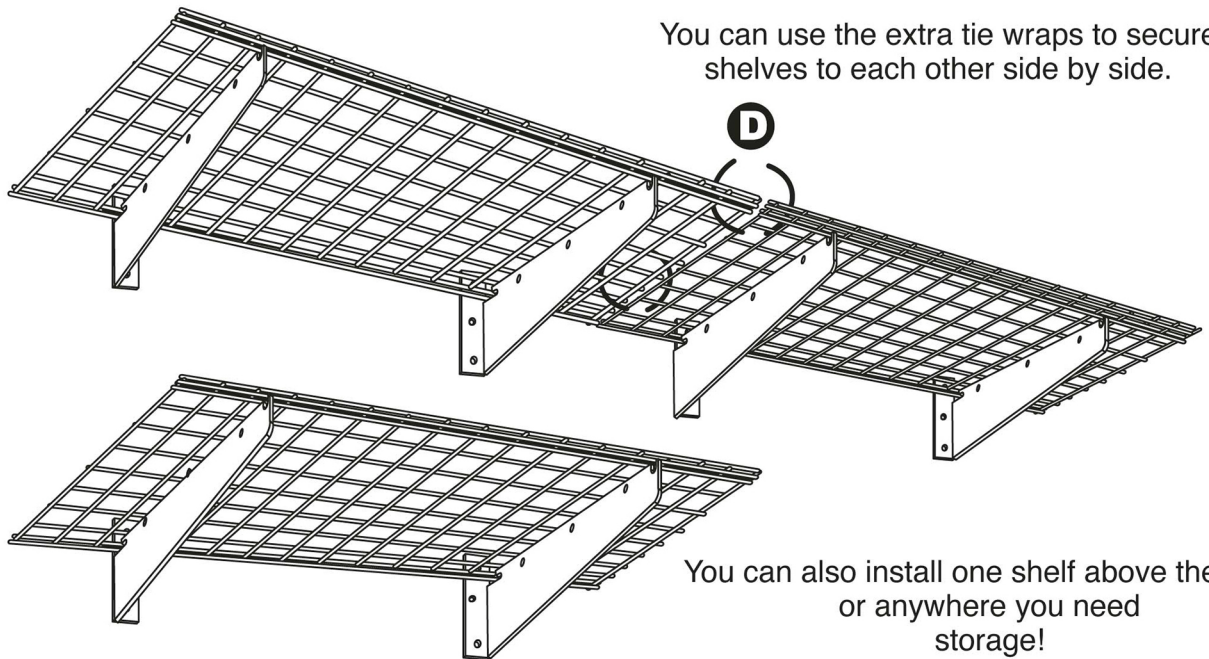


**2A**

Place grid on top of brackets until fully inserted into slots

**2B**

Attach grid to holes in brackets with 2 plastic tie wraps(D)



You can use the extra tie wraps to secure shelves to each other side by side.

You can also install one shelf above the other or anywhere you need storage!

You have now completed the installation and are ready to load your new HyLoft Shelf. **(Maximum 150 lbs. per 2' x 4' unit, evenly distributed)**. Place the sticker provided on a bracket for easy reference information.

Periodically (at least annually) check all connections to ensure that they remain tightly fastened.

## Limited Warranty

Diamond warrants this product against defects in material or workmanship for the life of the product. Diamond agrees to either repair the product or replace it at the sole discretion of Diamond. This warranty does not include any costs associated with the physical installation, removal or return of the HyLoft storage system.

**This warranty is valid and enforceable provided that the maximum weight supported by each HyLoft Shelf unit does not exceed 150 pounds, evenly distributed. The customer, installer, and/pr dealer, releases diamond of all claims, which includes the HyLoft Shelf unit and the structure it is attached to, if the loaded weight exceeds 150 pounds. The unit must also be installed according to the manufacturer's instructions. All fasteners must be checked and tightened at least once annually.**

Only the original purchaser of this product is extended this warranty. No warranty work will be provided under this warranty without purchaser's receipt or other proof of the date of original purchase acceptable to Diamond. This limited warranty covers product failure due to defects in materials or workmanship ONLY! It does not cover corrosion, rust or discoloration of its components, or product failure due to misuse, abuse, faulty installation, alteration, lack or reasonable care, or any other failure not related to defects in materials or workmanship.

There are NO other warranties expressed or implied except those stated here in as required by applicable law.

DIAMOND SHALL NOT BE LIABLE FOR INCIDENTAL, SPECIAL OR CONSEQUENTIAL DAMAGES RESULTING FROM THE USE OF THE PRODUCT OR ARISING OUT OF ANY BREACH OF THIS WARRANTY. ALL IMPLIED WARRANTIES, IF ANY, INCLUDING IMPLIED WARRANTIES OF MERCHANTABILITY AND FITNESS FOR A PARTICULAR PURPOSE, ARE LIMITED IN DURATION TO THE DURATION OF THIS WARRANTY. Some states do not allow the exclusion or limitation of incidental or consequential damages, or limitations on how long an implied warranty lasts, so the above exclusion or limitations may not apply to you. No other warranty, written or verbal, will be honored for this product. This warranty gives you specific legal rights and you may also have other rights that vary from state to state.

Diamond is not responsible for damages of merchandise in transit. Repaired or replaced products shall be subject to the terms of this warranty, to be inspected by Diamond prior to return shipment. Damages incurred during transit should be reported at once to the carrier and a claim should be filed with them.

For assistance with your HyLoft storage system or to obtain warranty service call Diamond's toll free number at 1-800-990-6003. Please have the product type and date of purchase when you call to avoid delays. Thank You!