

HyLoft 36" x 18" Limited Warranty

Diamond Storage Concepts warrants this product against defects in material or workmanship for the life of the product. Diamond Storage Concepts agrees to either repair the product or replace it at the sole discretion of Diamond Storage Concepts. This warranty does not include any costs associated with the physical installation, removal or return of the HyLoft storage system.

This warranty is valid and enforceable provided that the maximum weight supported by each 36" x 18" HyLoft unit does not exceed 150 pounds, evenly distributed. The customer, dealer, and/or installer releases Diamond Storage Concepts of all claims, which includes the HyLoft unit and the structure it is attached to, if the loaded weight exceeds 150 pounds. The unit must also be installed according to the manufacturer's instructions. At no time should you install more than three HyLoft units on any two wall studs. All fasteners must be checked and tightened at least annually.

Only the original purchaser of this product is extended this warranty. No warranty work will be provided under this warranty without purchaser's receipt or other proof of the date of original purchase acceptable to Diamond Storage Concepts. Proof of the date of purchase must be provided to Diamond Storage Concepts if the product is returned.

This Diamond Storage Concepts limited warranty covers product failure due to defects in materials or workmanship ONLY! It does not cover corrosion, rust or discoloration of its components, or product failure due to misuse, abuse, faulty installation, alteration, lack of reasonable care, or any other failure not related to defects in materials or workmanship.

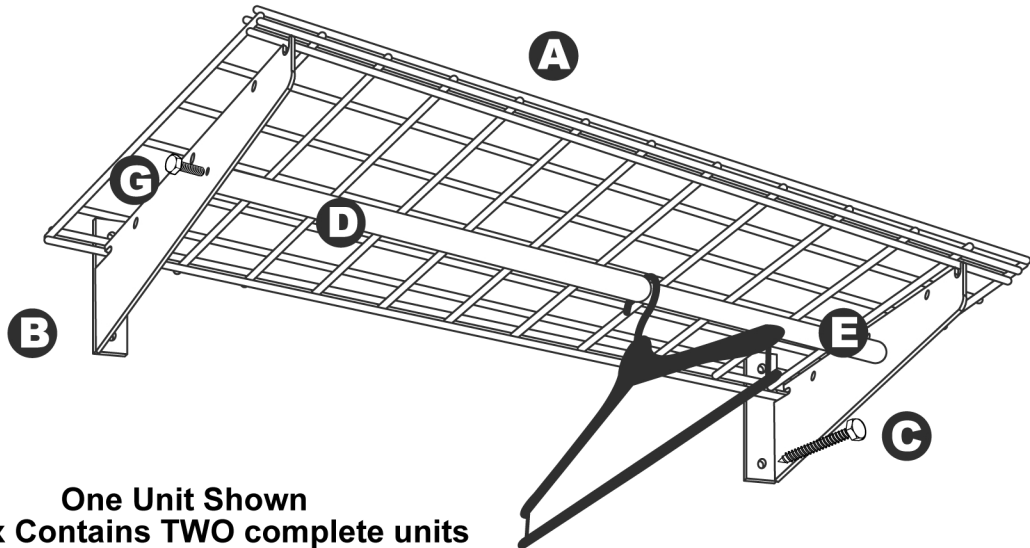
There are NO other warranties expressed or implied except those stated here in as required by applicable law.

DIAMOND STORAGE CONCEPTS SHALL NOT BE LIABLE FOR INCIDENTAL, SPECIAL OR CONSEQUENTIAL DAMAGES RESULTING FROM THE USE OF THE PRODUCT OR ARISING OUT OF ANY BREACH OF THIS WARRANTY. ALL IMPLIED WARRANTIES, IF ANY, INCLUDING IMPLIED WARRANTIES OF MERCHANTABILITY AND FITNESS FOR A PARTICULAR PURPOSE, ARE LIMITED IN DURATION TO THE DURATION OF THIS WARRANTY. Some states do not allow the exclusion or limitation of incidental or consequential damages, or limitations on how long an implied warranty lasts, so the above exclusions or limitations may not apply to you. No other warranty, written or verbal, will be honored for this product. This warranty gives you specific legal rights and you may also have other rights that vary from state to state.

Diamond Storage Concepts is not responsible for damages of merchandise in transit. Repaired or replaced products shall be subject to the terms of this warranty, to be inspected by Diamond prior to return shipment. Damages incurred during transit should be reported at once to the carrier and a claim should be filed with them.

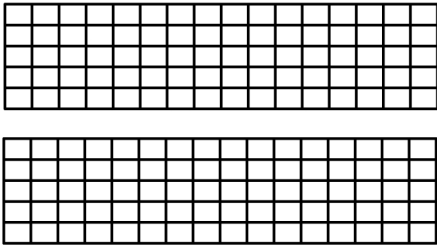
INSTALLATION INSTRUCTIONS

HyLoft 36" x 18" Shelf

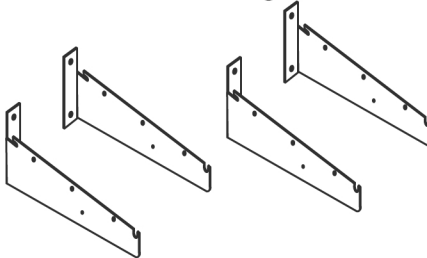


Parts Included:

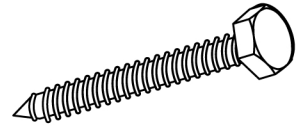
A 2 wire grids



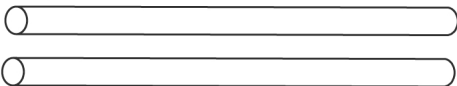
B 4 Shelf Brackets-2 left and 2 right



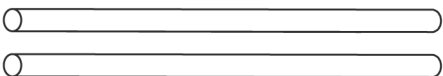
C 12 Lag Screws 1/4 x 2 1/2" (6 x 64 mm)



D 2 Large Clothes Rods



E 2 Thinner Clothes Rods



F 4 Rubber Stoppers



G 4 Hex Bolts 1/4" x 1/2".



H HyLoft Sticker



Tools required for installing the 36" x 18" shelves:

- 7/16" (11 mm) Wrench • Stud Finder • Drill and 3/16"(5 mm) drill bit
- Socket Wrench and 7/16"(11 mm) Socket • Tape Measure • Pencil • Level



INSTALL SHELF BRACKETS INTO WALL STUDS

1A

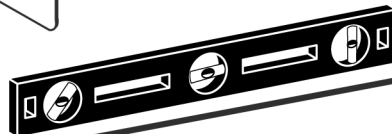
Using Stud finder
locate Studs approximately 32" apart

1B

Mark hole locations
with pencil
and pre-drill
with 3/16" drill bit

1C

Install 2 Lag Screws(C)
using 7/16" nut driver or
socket wrench.

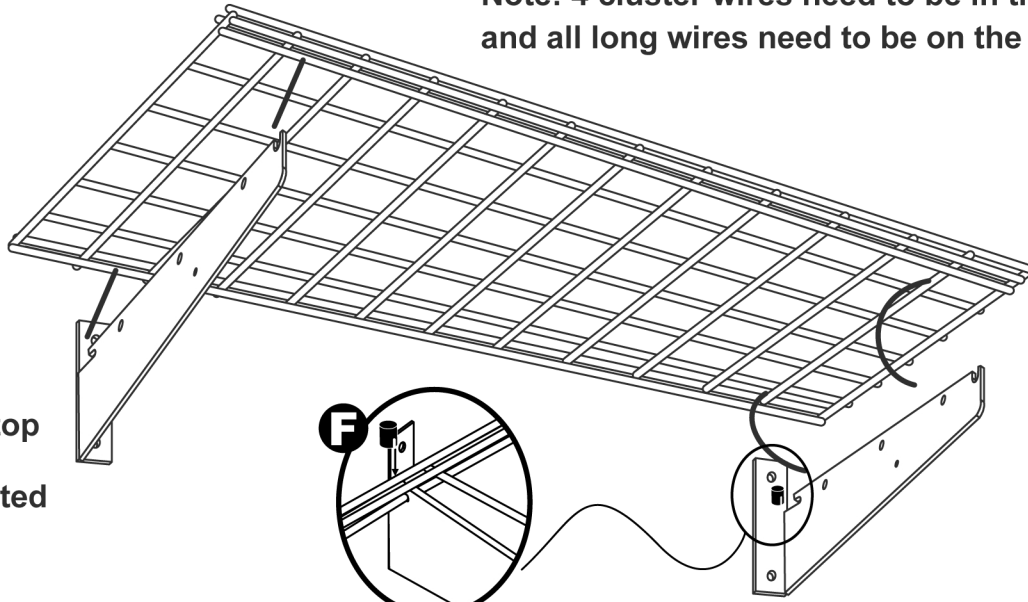


IMPORTANT NOTE:
Make sure hole
locations are level
before drilling holes.

2

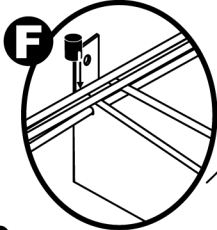
PLACE AND ATTACH GRIDS

Note: 4 cluster wires need to be in the front and all long wires need to be on the top.



2A

Place grid on top of brackets until fully inserted into slots



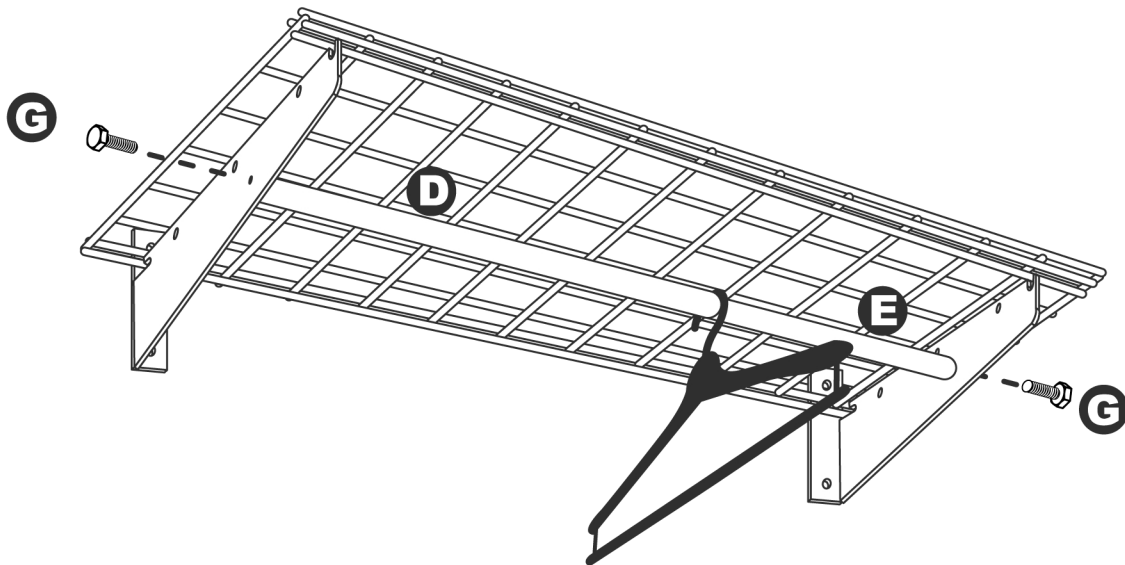
2B

Place slot in Rubber Stoppers(F) on brackets behind shelf.

3

ATTACH CLOTHING RODS(OPTIONAL)

Insert thin clothes rod (E) into larger clothes rod (D). Attach rod assembly with 1/2" screws (G) into ends of clothes rods (D & E) as shown.



You have now completed the installation and are ready to load your new HyLoft Shelf. **(Maximum 150 lbs. per 18" x 36" unit, evenly distributed)**. Place the sticker provided on a bracket for easy access to reference information.

Periodically (at least annually) check all connections to ensure that they remain tightly fastened.