

We appreciate your purchase of the Tire Loft Tire Rack. We have made every effort to supply a quality product that insures a lifetime of trouble-free service. In the event that you have any type of problems, please call our toll free number 1-800-990-6003.

Tire Loft Tire Rack Limited Warranty

We warranty this product against defects in material or workmanship for the life of the product. The manufacturer agrees to either repair the product or replace it at the sole discretion of the manufacturer. This warranty does not include any costs associated with the physical installation, removal or return of the Tire Loft Tire Rack.

This warranty is valid and enforceable provided that the maximum weight supported by each Tire Rack does not exceed 375 pounds, evenly distributed. The customer, installer, and/or dealer, releases us of all claims, which includes the Tire Rack and the structure it is attached to, if the loaded weight exceeds 375 pounds. The unit must also be installed according to the manufacturer's instructions. At no time should you install more than one unit on any two wall studs. All fasteners must be checked and tightened at least once annually.

Only the original purchaser of this product is extended this warranty. No warranty work will be provided under this warranty without purchaser's receipt or other proof of the date of original purchase acceptable to manufacturer.

This limited warranty covers product failure due to defects in materials or workmanship ONLY! It does not cover corrosion, rust or discoloration of its components, or product failure due to misuse, abuse, faulty installation, alteration, lack of reasonable care, or any other failure not related to defects in materials or workmanship.

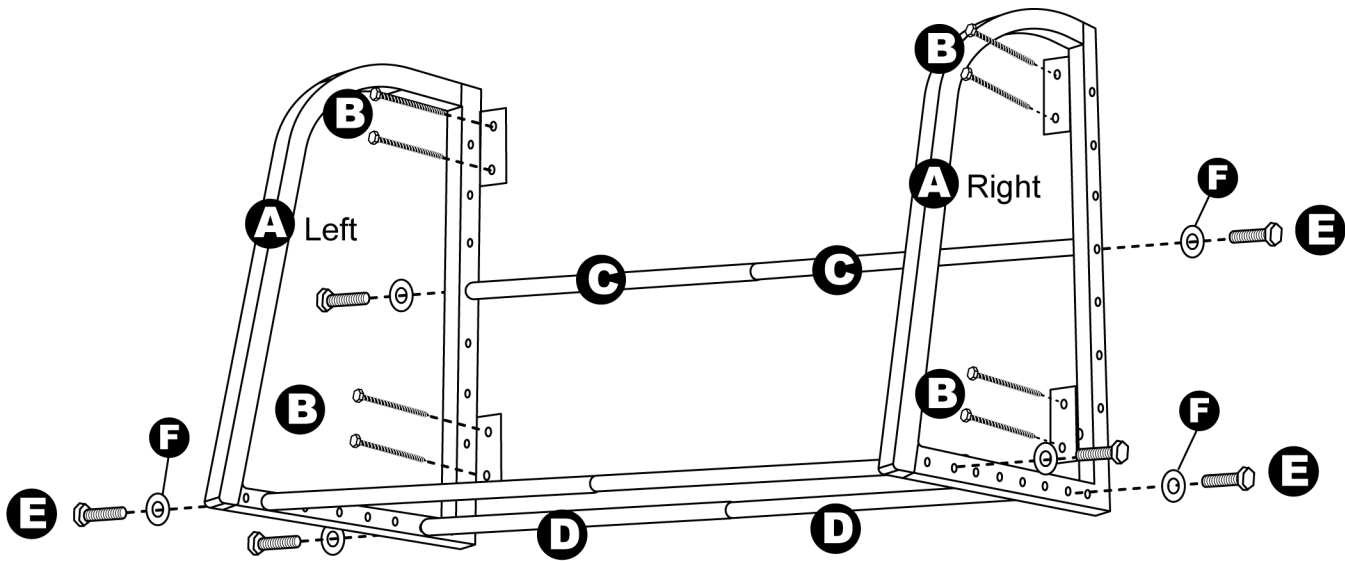
There are NO other warranties expressed or implied except those stated here in as required by applicable law.

WE SHALL NOT BE LIABLE FOR INCIDENTAL, SPECIAL OR CONSEQUENTIAL DAMAGES RESULTING FROM THE USE OF THE PRODUCT OR ARISING OUT OF ANY BREACH OF THIS WARRANTY. ALL IMPLIED WARRANTIES, IF ANY, INCLUDING IMPLIED WARRANTIES OF MERCHANTABILITY AND FITNESS FOR A PARTICULAR PURPOSE, ARE LIMITED IN DURATION TO THE DURATION OF THIS WARRANTY. Some states do not allow the exclusion or limitation of incidental or consequential damages, or limitations on how long an implied warranty lasts, so the above exclusions or limitations may not apply to you. No other warranty, written or verbal, will be honored for this product. This warranty gives you specific legal rights and you may also have other rights that vary from state to state.

We are not responsible for damages of merchandise in transit. Repaired or replaced products shall be subject to the terms of this warranty, to be inspected by the manufacturer prior to return shipment. Damages incurred during transit should be reported at once to the carrier and a claim should be filed with them.



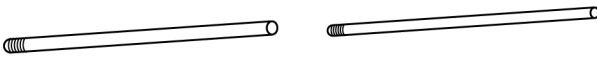
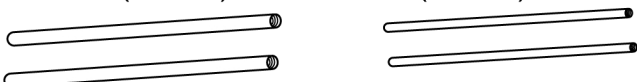

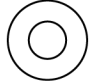
ASSEMBLY INSTRUCTIONS

Tire Loft Tire Rack



IMPORTANT-Read through entire instructions before beginning any installation. Check to make sure that you have all parts and tools required.

Parts Included:

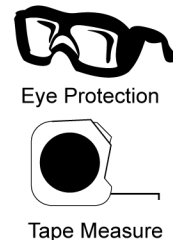
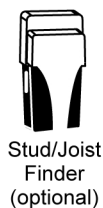
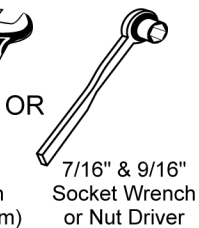
<p>A 2-Side Frames-1 left & 1 right</p> 	<p>B 8-Lag Screws 1/4 x 3"</p> 	<p>C 2-Smaller tubes for back support 1"(25mm) dia. and 3/4"(20mm) dia.</p> 
<p>D 4-Larger tubes for bottom support 1 1/8"(28mm) dia. and 7/8"(22mm) dia.</p> 	<p>E 6-Hex Head Bolts 3/8"x 2"</p> 	<p>F 6-3/8" Washers</p> 

Tools Required:

**MISSING A PART?
Call our TOLL FREE
HOTLINE.**

1-800-990-6003

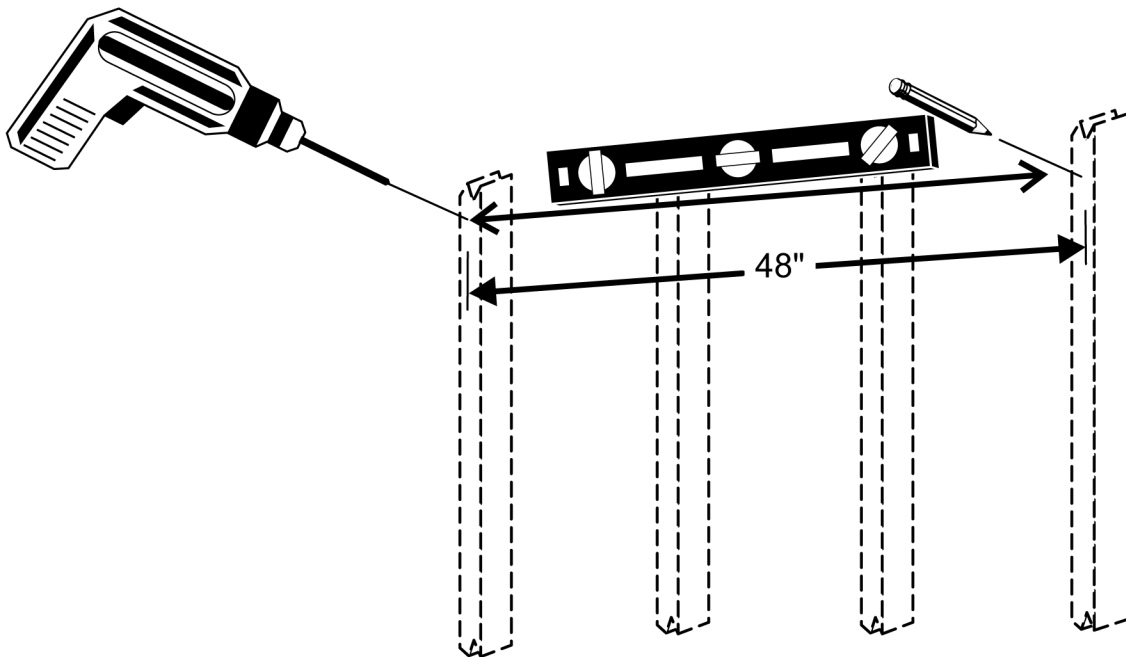
G Sticker



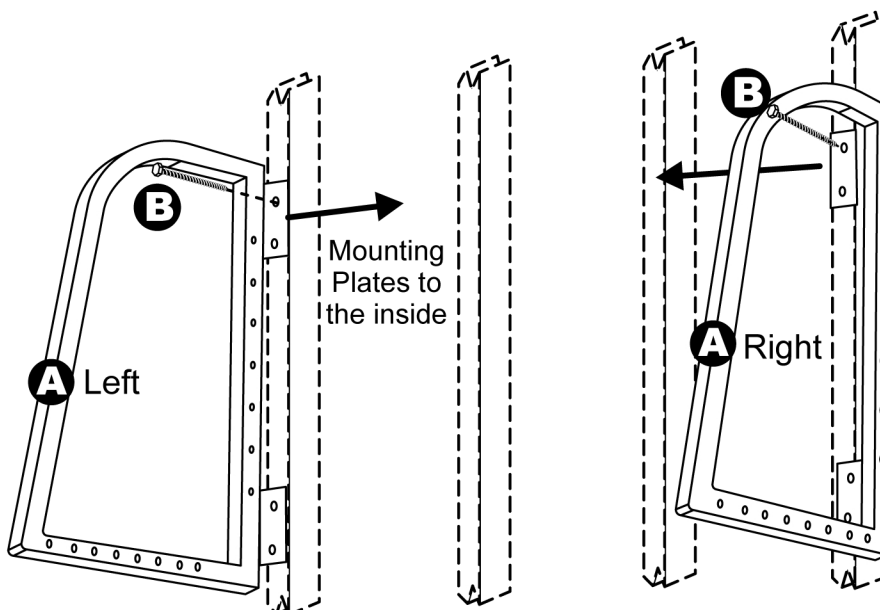
Approximate Assembly Time: 30 minutes or less



MOUNTING THE SIDE FRAMES TO THE WALL STUDS



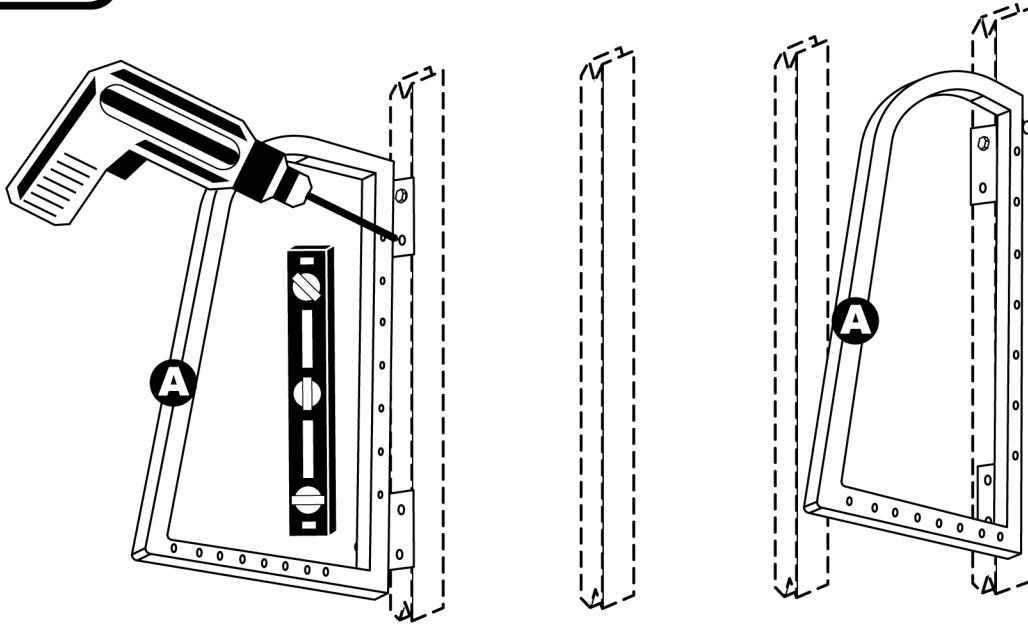
- 1A** Using a stud finder, locate 2 wall studs that are 48" center to center apart. Using a pencil, mark the top mounting hole centers 48" apart. Make sure holes are level and the same distance from the floor. Pre-drill the 2 marked holes using a 3/16" (5 mm) drill bit.



- 1B** Fasten Side Frames(A) to pre-drilled holes with 1 Lag Screw(B) in each using a 7/16" (11 mm) nut driver or socket wrench making sure mounting plates are to the inside. Do not fully tighten at this time.

2

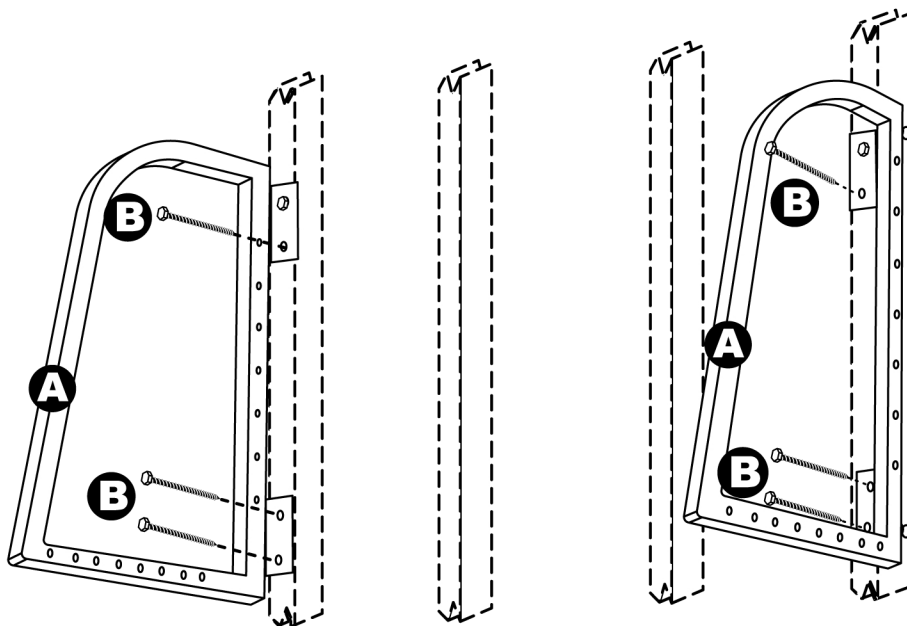
PRE-DRILL REMAINING MOUNTING HOLES



Make sure that Side Frames are perfectly vertical using a level and pre-drill into the wall studs through the remaining 6 mounting plate holes using a 3/16"(5 mm) drill bit.

3

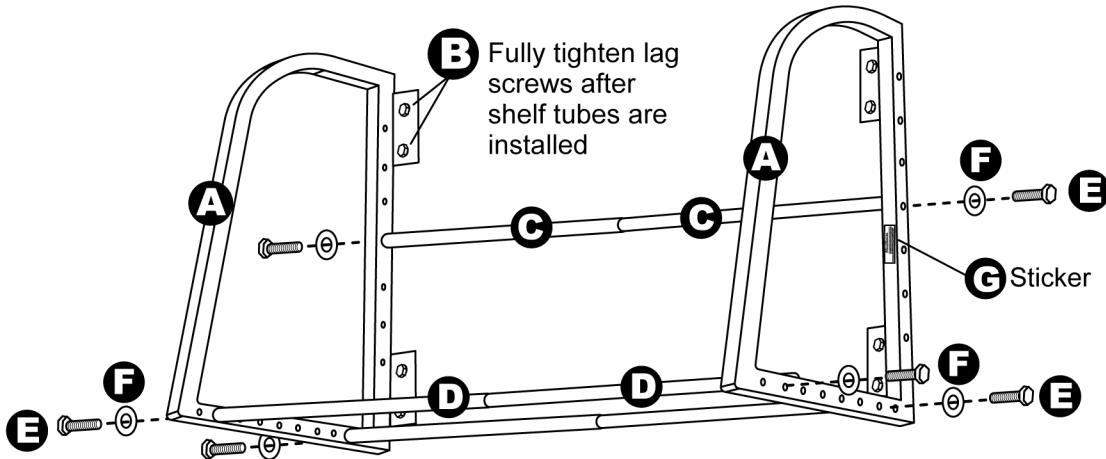
ATTACH REMAINING LAG SCREWS



Insert remaining Lag Screws(B) in to pre-drilled holes using a 7/16" (11 mm) nut driver or socket wrench. Do not fully tighten at this time.

3

INSTALLING THE SUPPORT SHELF TUBES

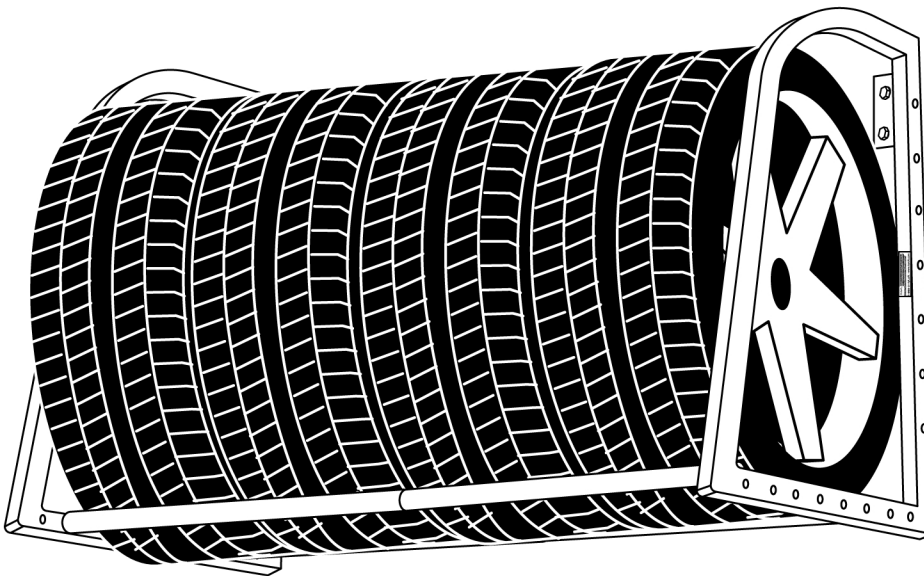


The smaller diameter tubes (C) are used as back support. Start by placing the smaller tubes at the back of the rack at the appropriate height to protect the wall from tire rub. The two tubes slide together and are fastened to frame (A) using the hex bolts (E) and washers (F).

The four larger diameter tubes (D) are used for the bottom shelf support on your tire rack. Slide the tubes together and fasten to the frame (A) at the determined tire width so the tire sits deep enough to stand upright. Fasten the tubes to the frame (A) using the hex bolts (E) and washers (F).

Fully tighten Lag Screws(B) in mounting plates using a 7/16" (11 mm) nut driver or socket wrench.

Adhere Sticker for convenient access to contact information.



Each Tire Rack can hold a maximum of 375 lbs (170 kg). Be sure to distribute the load evenly.

Verify all connections at least once per year in order to ensure that they are fastened securely.