

## **Folding Tire Loft™ Limited Warranty**

Diamond Storage Concepts warrants this product against defects in material or workmanship for the life of the product. The manufacturer agrees to either repair the product or replace it at the sole discretion of the manufacturer. This warranty does not include any costs associated with the physical installation, removal or return of the Folding Tire Loft.

**This warranty is valid and enforceable provided that the maximum weight supported by each Folding Tire Loft does not exceed 300 pounds, when mounted directly to Wall Studs and weight load is evenly distributed. The customer, installer, and/or dealer, releases us of all claims, which includes the Tire Loft and the structure it is attached to, if the loaded weight exceeds 300 pounds. The unit must also be installed according to the manufacturer's instructions. At no time should you install more than one unit on any two wall studs. All fasteners must be checked and tightened at least once annually.**

Only the original purchaser of this product is extended this warranty. No warranty work will be provided under this warranty without purchaser's receipt or other proof of the date of original purchase acceptable to manufacturer.

This limited warranty covers product failure due to defects in materials or workmanship ONLY! It does not cover corrosion, rust or discoloration of its components, or product failure due to misuse, abuse, faulty installation, alteration, lack of reasonable care, or any other failure not related to defects in materials or workmanship.

There are NO other warranties expressed or implied except those stated here in as required by applicable law.

DIAMOND STORAGE CONCEPTS SHALL NOT BE LIABLE FOR INCIDENTAL, SPECIAL OR CONSEQUENTIAL DAMAGES RESULTING FROM THE USE OF THE PRODUCT OR ARISING OUT OF ANY BREACH OF THIS WARRANTY. ALL IMPLIED WARRANTIES, IF ANY, INCLUDING IMPLIED WARRANTIES OF MERCHANTABILITY AND FITNESS FOR A PARTICULAR PURPOSE, ARE LIMITED IN DURATION TO THE DURATION OF THIS WARRANTY. Some states do not allow the exclusion or limitation of incidental or consequential damages, or limitations on how long an implied warranty lasts, so the above exclusions or limitations may not apply to you. No other warranty, written or verbal, will be honored for this product. This warranty gives you specific legal rights and you may also have other rights that vary from state to state.

We are not responsible for damages of merchandise in transit. Repaired or replaced products shall be subject to the terms of this warranty, to be inspected by the manufacturer prior to return shipment. Damages incurred during transit should be reported at once to the carrier and a claim should be filed with them.

For assistance with your Folding Tire Loft or to obtain warranty service, call toll free number at 1-800-990-6003. Please have the product type and date of purchase when you call to avoid delays. *Thank You!*

# ASSEMBLY INSTRUCTIONS

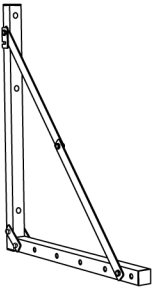
## Folding Tire Loft



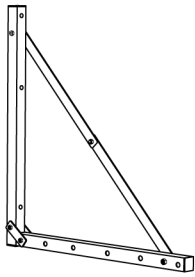
### Parts Included:

**IMPORTANT**-Read through entire instructions before beginning any installation. Check to make sure that you have all parts and tools required.

**A** Left Side



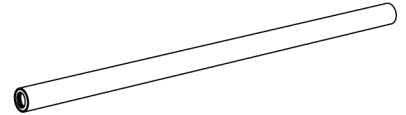
**B** Right Side



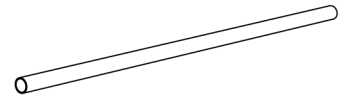
**C** 6-Lag Screws  
1/4 x 3"



**D** 2-1 1/8" (28.6mm) dia. Round Tubes



**E** 2-7/8" (22mm) dia. Round Tubes



**F** 4-3/8" x 2" Hex Bolts



**G** Sticker



These Instructions & Limited Warranty

### Tools Required:



3/16"  
Drill Bit  
(4.8mm)



Power  
Drill



7/16" &  
9/16" Wrench  
(11 mm & 14 mm)

OR



7/16" & 9/16"  
Socket Wrench  
or Nut Driver



Stud/Joist  
Finder  
(optional)



Level



Pencil



Eye Protection

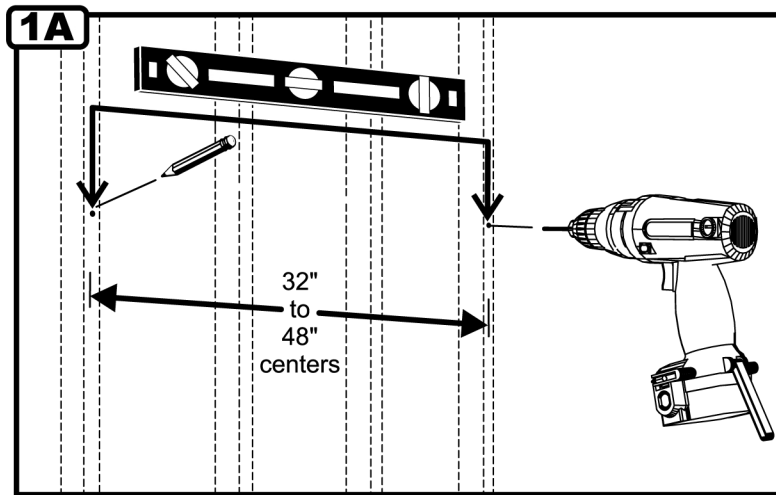


Tape Measure



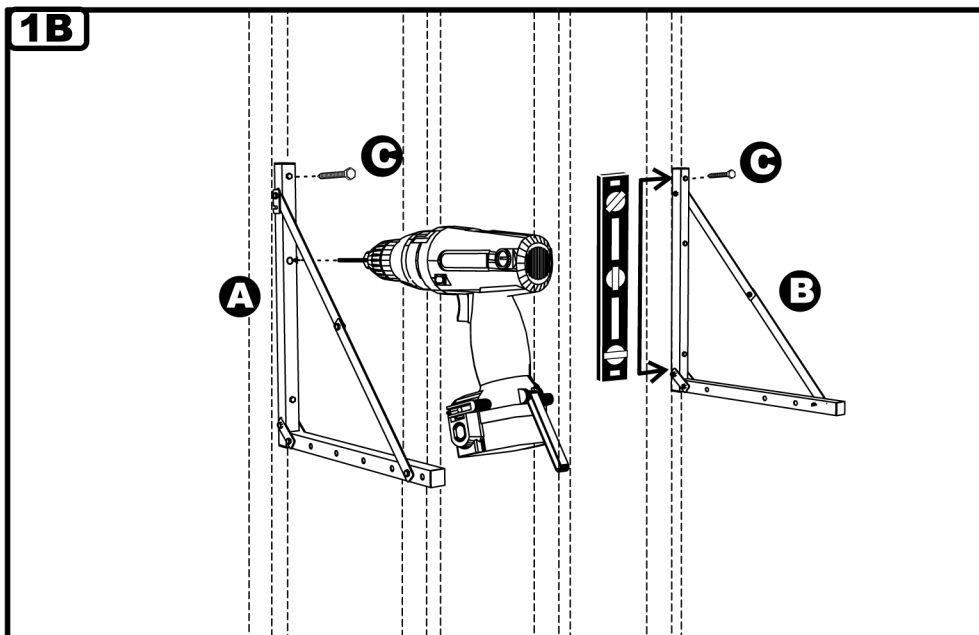
Ladder or  
Step Stool

# I MOUNTING THE UPRIGHT SUPPORTS TO THE WALL STUDS



Using a stud finder, locate 2 wall studs that are 32" to 48" center to center apart. Using a pencil, mark the top mounting hole centers. Make sure holes are level and the same distance from the floor. Pre-drill the 2 marked holes using a 3/16" (5 mm) drill bit.

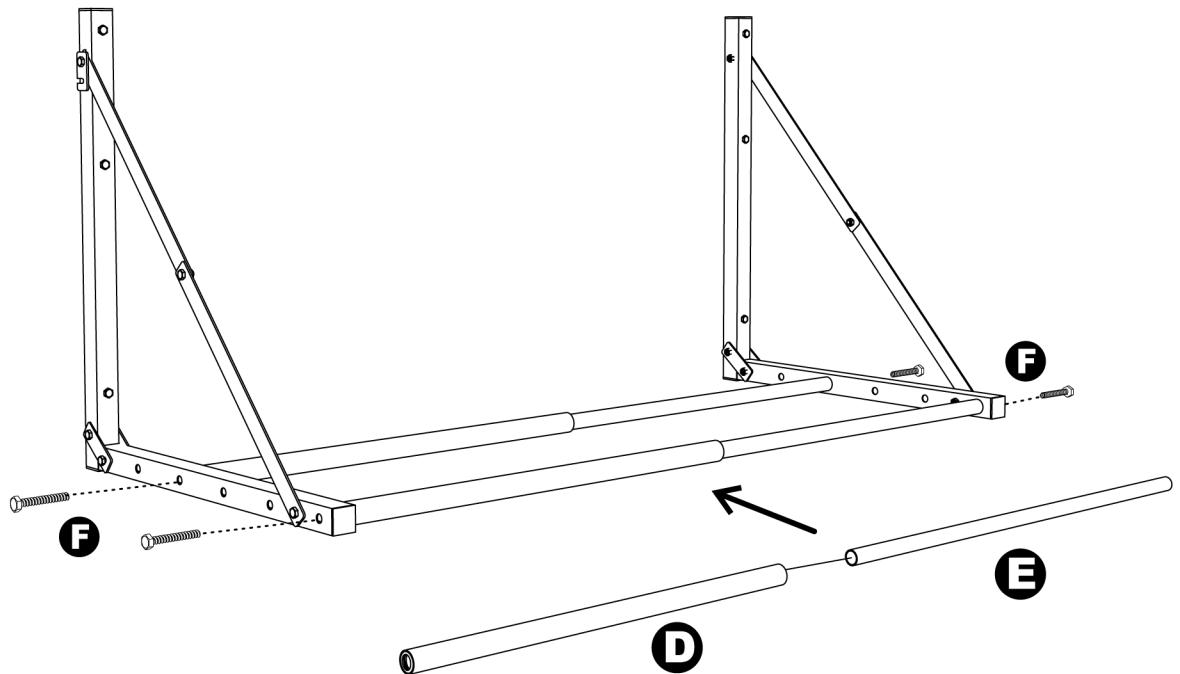
**IMPORTANT:** Unit MUST be installed into wall studs. Do not use wall anchors for mounting directly to sheet rock.



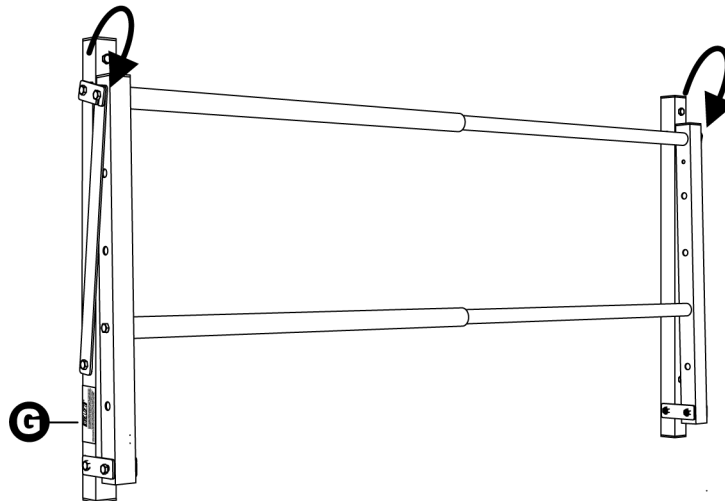
Fasten vertical tubes of Left & Right Sides(A & B) to top pre-drilled holes with 1 Lag Screw(C) in each using a 7/16"(11 mm) nut driver or socket wrench, making sure holes are positioned as shown.

Do not fully tighten top screws at this time.

Make sure that Vertical Tubes of Left & Right Sides(A & B) are vertically level (plumb), & drill through remaining 2 holes in each. Fasten with remaining Lag Screws(C) and fully tighten.

**2****ATTACH ROUND TUBES**

Insert smaller diameter Round Tubes(E) into larger diameter Round Tubes(D) and fasten to horizontal tubes of Left & Right Side(A & B) with  $\frac{3}{8}$ " x 2" Hex Head Bolts(F) in the position that best supports your tire model.

**3****TIGHTEN, ADJUST & FOLD**

Make sure that all Bolts are fully tightened and if necessary, adjust tightness so that the unit folds easily for storage. Store unit in a folded position by locking with Hooks as shown.

Adhere Sticker(G) for convenient access to contact information.

**Each Tire Loft can hold a maximum of 300 lbs (136 kg) when mounted directly to Wall Studs & weight load is evenly distributed.**

Verify all connections at least once per year in order to ensure that they are fastened securely.